

### Description

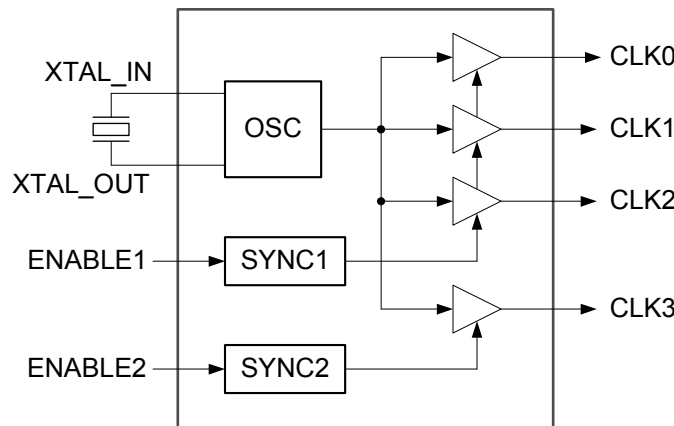
The 5P8390x is a high performance, 1-to-4/6/8 crystal input to LVCMOS fanout buffer with output enable pins. This device accepts a fundamental mode crystal from 10MHz to 40MHz and outputs LVCMOS clocks with best-in-class phase noise performance.

The 5P8390x family (5P83904, 5P83905, and 5P83908) features a synchronous glitch-free Output Enable function to eliminate any intermediate incorrect output clock cycles when enabling or disabling outputs. It comes in standard TSSOP packages or small QFN packages and can operate from 1.8V to 3.3V supplies.

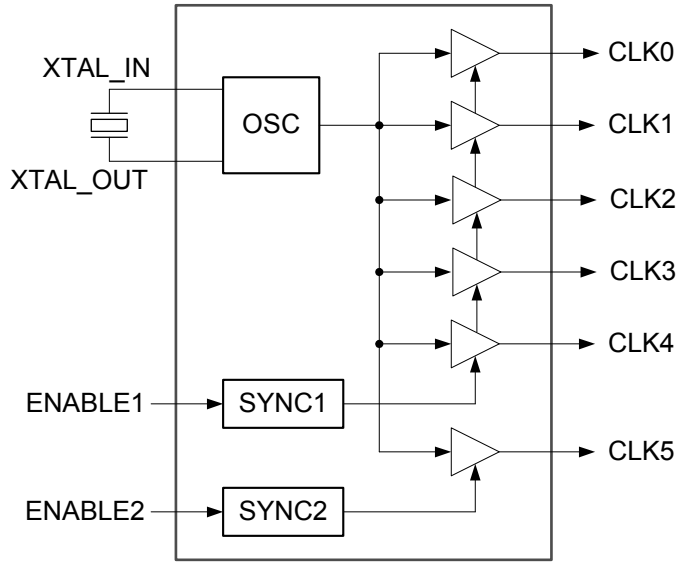
### Features

- 4/6/8 copies of LVCMOS output clocks with best-in-class phase noise performance
- Phase Noise:
  - Offset Noise Power (3.3V)
    - 100Hz: -131 dBc/Hz
    - 1KHz: -145 dBc/Hz
    - 10KHz: -154 dBc/Hz
    - 100KHz: -161 dBc/Hz
- Operating power supply modes:
  - Full 3.3V, 2.5V, 1.8V
  - Mixed 3.3V core/2.5V output operating supply
  - Mixed 3.3V core/1.8V output operating supply
  - Mixed 2.5V core/1.8V output operating supply
- Crystal Oscillator Interface
- Synchronous Output Enable
- Packaged in 16-, 20-pin TSSOP and QFN packages (Pb free, fully RoHS compliant)
- Extended (-40°C to +105°C) temperature range

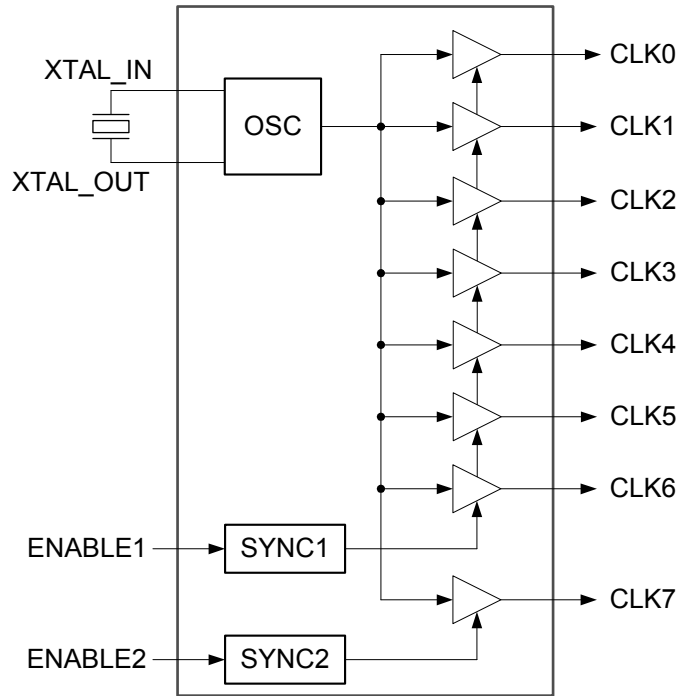
### 5P83904 Block Diagram



### 5P83905 Block Diagram



### 5P83908 Block Diagram





## Pin Descriptions

| Pin Name | Pin Number |          |              | Pin Type | Pin Description  |
|----------|------------|----------|--------------|----------|--|
|          | 5P83904    | 5P83905  | 5P83908      |          |  |
| XTAL_IN  | 16         | 16       | 20           | Input    | Oscillator Input from Crystal.   |
| XTAL_OUT | 1          | 1        | 1            | Input    | Oscillator Output to drive Crystal.  |
| VDD      | 9          | 9        | 2, 11        | Power    | Positive power supply for core.  |
| VDDO     | 5, 13      | 5, 13    | 7, 16        | Power    | Positive power supply for outputs.   |
| GND      | 3, 7, 11   | 3, 7, 11 | 5, 9, 13, 19 | Power    | Power supply ground.   |
| ENABLE1  | 15         | 15       | 18           | Input    | Output Enable pin. Please see below Output Enable Function Table. Active High. Internal pull-up. |
| ENABLE2  | 2          | 2        | 3            | Input    | Output Enable pin. Please see below Output Enable Function Table. Active High. Internal pull-up. |
| CLK0     | 4          | 4        | 4            | Output   | LVC MOS Clock Output 0. Voltage set by VDDO.   |
| CLK1     | 8          | 6        | 6            | Output   | LVC MOS Clock Output 1. Voltage set by VDDO.   |
| CLK2     | 12         | 8        | 8            | Output   | LVC MOS Clock Output 2. Voltage set by VDDO.   |
| CLK3     | 14         | 10       | 10           | Output   | LVC MOS Clock Output 3. Voltage set by VDDO.   |
| CLK4     | —          | 12       | 12           | Output   | LVC MOS Clock Output 4. Voltage set by VDDO.   |
| CLK5     | —          | 14       | 14           | Output   | LVC MOS Clock Output 5. Voltage set by VDDO.   |
| CLK6     | —          | —        | 15           | Output   | LVC MOS Clock Output 6. Voltage set by VDDO.   |
| CLK7     | —          | —        | 17           | Output   | LVC MOS Clock Output 7. Voltage set by VDDO.   |
| NC       | 6, 10      | —        | —            | NC       | No connect.  |

## Output Enable Function Table

| ENABLE1    | ENABLE2    | 5P83904 CLK0-2 | 5P83905 CLK0-4 | 5P83908 CLK0-6 | 5P83904 CLK3 | 5P83905 CLK5 | 5P83908 CLK7 |
|------------|------------|----------------|----------------|----------------|--------------|--------------|--------------|
| 0          | 0          | Low            | Low            | Low            | Low          | Low          | Low          |
| 0          | 1          | Low            | Low            | Low            | Active       | Active       | Active       |
| 1          | 0          | Active         | Active         | Active         | Low          | Low          | Low          |
| 1(default) | 1(default) | Active         | Active         | Active         | Active       | Active       | Active       |

## Absolute Maximum Ratings

Stresses above the ratings listed below can cause permanent damage to the 5P8390x. These ratings, which are standard values for IDT commercially rated parts, are stress ratings only. Functional operation of the device at these or any other conditions above those indicated in the operational sections of the specifications is not implied. Exposure to absolute maximum rating conditions for extended periods can affect product reliability. Electrical parameters are guaranteed only over the recommended operating temperature range.

| Item                                     | Rating              |
|--|---------------------|
| Supply Voltage, VDD                      | 3.465V              |
| Output Enable and All Outputs            | -0.4 V to VDD+0.5 V |
| CLKIN                                    | -0.4 V to 3.465V    |
| Ambient Operating Temperature (extended) | -40 to +105°C       |
| Storage Temperature                      | -65 to +150°C       |
| Junction Temperature                     | 125°C               |
| Soldering Temperature                    | 260°C               |

## Recommended Operation Conditions

| Parameter   | Min.  | Typ. | Max.   | Units |
|---|-------|------|--------|-------|
| Ambient Operating Temperature (extended)          | -40   |      | +105   | °C    |
| Power Supply Voltage (measured in respect to GND) | +1.71 |      | +3.465 | V     |

## DC Electrical Characteristics

(VDD = 1.8V, 2.5V, 3.3V)

VDD=1.8V ±5% , Ambient temperature -40° to +105°C, unless stated otherwise

| Parameter                       | Symbol          | Conditions                     | Min.    | Typ. | Max.    | Units |
|---------------------------------|-----------------|--------------------------------|---------|------|---------|-------|
| Input High Voltage              | V <sub>IH</sub> | XTAL_IN, ENABLE1/2 pins        | 0.7xVDD |      |         | V     |
| Input Low Voltage               | V <sub>IL</sub> | XTAL_IN, ENABLE1/2 pins        |         |      | 0.3xVDD | V     |
| Output High Voltage             | V <sub>OH</sub> | I <sub>OH</sub> = -4 mA        | 1.65    |      | 1.85    | V     |
| Output Low Voltage              | V <sub>OL</sub> | I <sub>OL</sub> = 4 mA         | 0.03    |      | 0.05    | V     |
| Nominal Output Impedance        | Z <sub>O</sub>  |                                |         | 14   |         | Ω     |
| <b>Operating Supply Current</b> |                 |                                |         |      |         |       |
| 5P83904                         | IDD             | Outputs On, 25MHz with No Load |         | 8.9  |         | mA    |
| 5P83905                         |                 | Outputs On, 25MHz with No Load |         | 9.0  |         |       |
| 5P83908                         |                 | Outputs On, 25MHz with No Load |         | 9.2  |         |       |

**VDD=2.5 V ±5%**, Ambient temperature -40° to +105°C, unless stated otherwise

| Parameter                       | Symbol          | Conditions                     | Min.    | Typ. | Max.    | Units |
|---------------------------------|-----------------|--------------------------------|---------|------|---------|-------|
| Input High Voltage              | V <sub>IH</sub> | XTAL_IN, ENABLE1/2 pins        | 0.7xVDD |      |         | V     |
| Input Low Voltage               | V <sub>IL</sub> | XTAL_IN, ENABLE1/2 pins        |         |      | 0.3xVDD | V     |
| Output High Voltage             | V <sub>OH</sub> | I <sub>OH</sub> = -4 mA        | 2.31    |      | 2.58    | V     |
| Output Low Voltage              | V <sub>OL</sub> | I <sub>OL</sub> = 4 mA         | 0.03    |      | 0.05    | V     |
| Nominal Output Impedance        | Z <sub>O</sub>  |                                |         | 14   |         | Ω     |
| <b>Operating Supply Current</b> |                 |                                |         |      |         |       |
| 5P83904                         | IDD             | Outputs On, 25MHz with No Load |         | 10.6 |         | mA    |
| 5P83905                         |                 | Outputs On, 25MHz with No Load |         | 10.7 |         |       |
| 5P83908                         |                 | Outputs On, 25MHz with No Load |         | 10.8 |         |       |

**VDD=3.3 V ±5%** , Ambient temperature -40° to +105°C, unless stated otherwise

| Parameter                       | Symbol          | Conditions                     | Min.    | Typ. | Max.    | Units |
|---------------------------------|-----------------|--------------------------------|---------|------|---------|-------|
| Input High Voltage, CLKIN       | V <sub>IH</sub> | XTAL_IN, ENABLE1/2 pins        | 0.7xVDD |      |         | V     |
| Input Low Voltage, CLKIN        | V <sub>IL</sub> | XTAL_IN, ENABLE1/2 pins        |         |      | 0.3xVDD | V     |
| Output High Voltage             | V <sub>OH</sub> | I <sub>OH</sub> = -4 mA        | 3.09    |      | 3.43    | V     |
| Output Low Voltage              | V <sub>OL</sub> | I <sub>OL</sub> = 4 mA         | 0.03    |      | 0.04    | V     |
| Nominal Output Impedance        | Z <sub>O</sub>  |                                |         | 14   |         | Ω     |
| <b>Operating Supply Current</b> |                 |                                |         |      |         |       |
| 5P83904                         | IDD             | Outputs On, 25MHz with No Load |         | 12.1 |         | mA    |
| 5P83905                         |                 | Outputs On, 25MHz with No Load |         | 12.2 |         |       |
| 5P83908                         |                 | Outputs On, 25MHz with No Load |         | 12.3 |         |       |

## AC Electrical Characteristics

(VDD = 1.8V, 2.5V, 3.3V)

VDD = 1.8V ±5%, Ambient Temperature -40° to +105°C, unless stated otherwise

| Parameter   | Symbol                             | Conditions                                    | Min. | Typ.      | Max. | Units  |
|---|------------------------------------|---|------|-----------|------|--------|
| Input Frequency   | f <sub>MAX</sub>                   | Input Frequency Crystal                       | 8    |           | 40   | MHz    |
|   |                                    | Input Frequency Clock                         | DC   |           | 200  |        |
| Delay for Output Enable / Disable Time ENABLEx to BCLKn | t <sub>EN</sub> / t <sub>DIS</sub> |   |      |           | 3    | cycles |
| Duty Cycle  | t <sub>DC</sub>                    |   | 45   |           | 55   | ns     |
| Output to Output Skew                                   | t <sub>SKEWO-O</sub>               |   |      | 25        | 65   | ps     |
| Phase Noise   | Φ <sub>noise</sub>                 | f <sub>OUT</sub> = 25 MHz 100 Hz off Carrier  |      | -121.1974 |      | dBc/Hz |
|   |                                    | f <sub>OUT</sub> = 25 MHz 1 kHz off Carrier   |      | -132.1742 |      |        |
|   |                                    | f <sub>OUT</sub> = 25 MHz 10 kHz off Carrier  |      | -143.8058 |      |        |
|   |                                    | f <sub>OUT</sub> = 25 MHz 100 kHz off Carrier |      | -155.2978 |      |        |
| RMS Phase Jitter  | t <sub>JIT</sub> (Φ)               | 25MHz carrier, Integration Range: 12kHz-20MHz |      | 0.279     |      | ps     |
| Output Rise/Fall Time                                   | t <sub>R</sub> / t <sub>F</sub>    | 20% to 80%                                    |      |           | 0.95 | ns     |
| Device to Device Skew                                   |                                    |   |      |           | 200  | ps     |
| Propagation Delay                                       |                                    | freq, LVCMOS INPUT                            | 2.5  | 3.1       | 6    | ns     |

VDD = 2.5 V ±5%, Ambient Temperature -40° to +105°C, unless stated otherwise

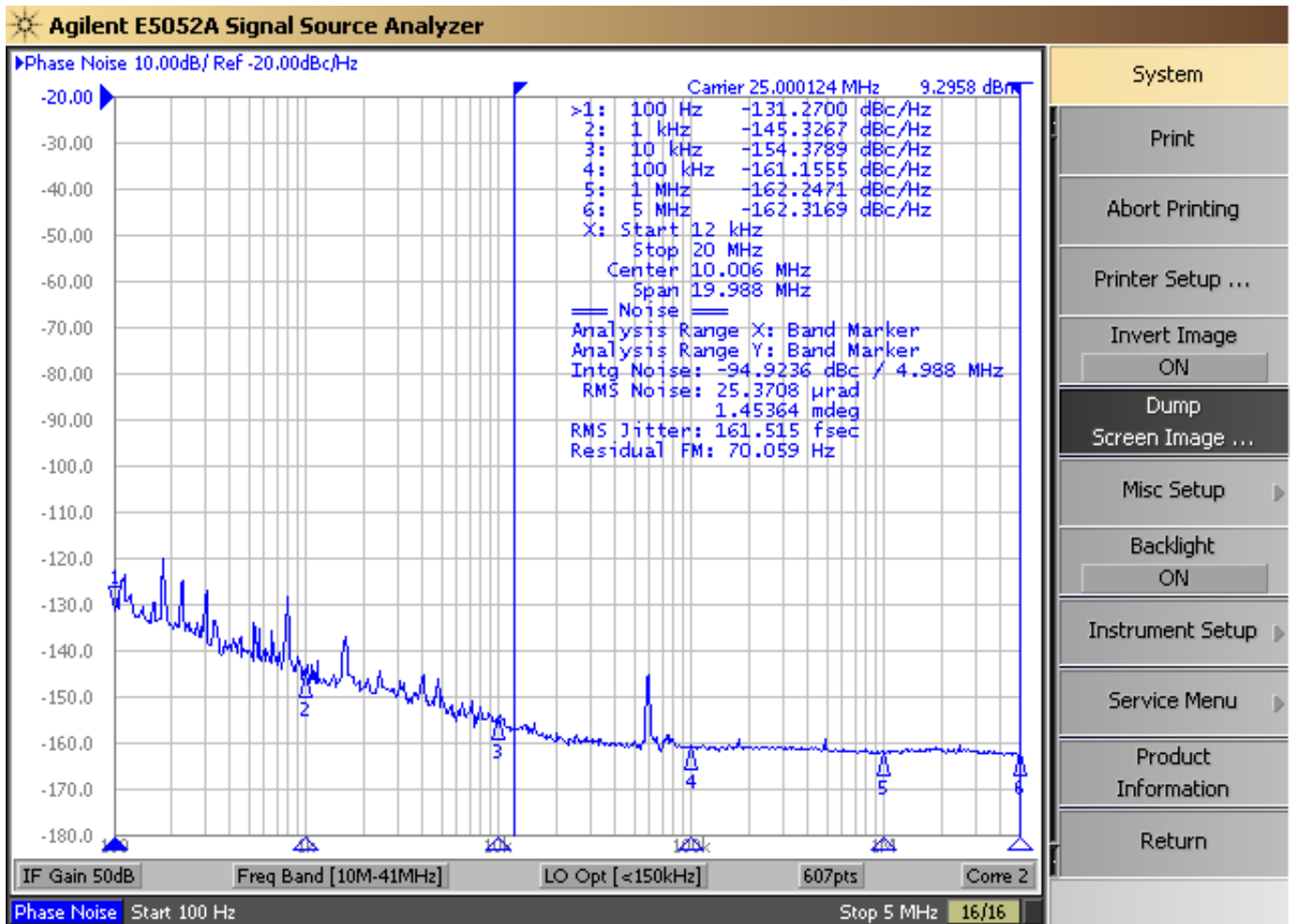
| Parameter   | Symbol                             | Conditions                                    | Min. | Typ.      | Max. | Units  |
|---|------------------------------------|---|------|-----------|------|--------|
| Input Frequency   | f <sub>MAX</sub>                   | Input Frequency Crystal                       | 8    |           | 40   | MHz    |
|   |                                    | Input Frequency Clock                         | DC   |           | 200  |        |
| Delay for Output Enable / Disable Time ENABLEx to BCLKn | t <sub>EN</sub> / t <sub>DIS</sub> |   |      |           | 3    | cycles |
| Duty Cycle  | t <sub>DC</sub>                    |   | 45   |           | 55   | ns     |
| Output to Output Skew                                   | t <sub>SKEWO-O</sub>               |   |      | 25        | 65   | ps     |
| Phase Noise   | Φ <sub>noise</sub>                 | f <sub>OUT</sub> = 25 MHz 100 Hz off Carrier  |      | -131.26   |      | dBc/Hz |
|   |                                    | f <sub>OUT</sub> = 25 MHz 1 kHz off Carrier   |      | -139.2177 |      |        |
|   |                                    | f <sub>OUT</sub> = 25 MHz 10 kHz off Carrier  |      | -149.5185 |      |        |
|   |                                    | f <sub>OUT</sub> = 25 MHz 100 kHz off Carrier |      | -158.7531 |      |        |
| RMS Phase Jitter  | t <sub>JIT</sub> (Φ)               | 25MHz carrier, Integration Range: 12kHz-20MHz |      | 0.2       |      | ps     |
| Output Rise/Fall Time                                   | t <sub>R</sub> / t <sub>F</sub>    | 20% to 80%                                    |      |           | 0.9  | ns     |
| Device to Device Skew                                   |                                    |   |      |           | 200  | ps     |
| Propagation Delay                                       |                                    | freq, LVCMOS INPUT                            | 2.5  | 3.6       | 6    | ns     |

VDD = 3.3 V ±5%, Ambient Temperature -40° to +105°C, unless stated otherwise

| Parameter   | Symbol                             | Conditions              | Min. | Typ. | Max. | Units  |
|---|------------------------------------|-------------------------|------|------|------|--------|
| Input Frequency   | f <sub>MAX</sub>                   | Input Frequency Crystal | 8    |      | 40   | MHz    |
|   |                                    | Input Frequency Clock   | DC   |      | 200  |        |
| Delay for Output Enable / Disable Time ENABLEx to BCLKn | t <sub>EN</sub> / t <sub>DIS</sub> |                         |      |      | 3    | cycles |
| Duty Cycle  | t <sub>DC</sub>                    |                         | 45   |      | 55   | ns     |
| Output to Output Skew                                   | t <sub>SKEWO-O</sub>               |                         |      | 25   | 65   | ps     |

| Parameter             | Symbol          | Conditions                                    | Min. | Typ.      | Max. | Units  |
|-----------------------|-----------------|---|------|-----------|------|--------|
| Phase Noise           | $\Phi_{noise}$  | $f_{OUT} = 25$ MHz 100 Hz off Carrier         |      | -131.27   |      | dBc/Hz |
|                       |                 | $f_{OUT} = 25$ MHz 1 kHz off Carrier          |      | -145.3267 |      |        |
|                       |                 | $f_{OUT} = 25$ MHz 10 kHz off Carrier         |      | -154.3789 |      |        |
|                       |                 | $f_{OUT} = 25$ MHz 100 kHz off Carrier        |      | -161.1555 |      |        |
| RMS Phase Jitter      | $t_{JIT}(\Phi)$ | 25MHz carrier, Integration Range: 12kHz-20MHz |      | 0.16      |      | ps     |
| Output Rise/Fall Time | $t_R / t_F$     | 20% to 80%                                    |      |           | 0.85 | ns     |
| Device to Device Skew |                 |   |      |           | 200  | ps     |
| Propagation Delay     |                 | freq, LVCMOS INPUT                            | 2.5  | 2.9       | 6    | ns     |

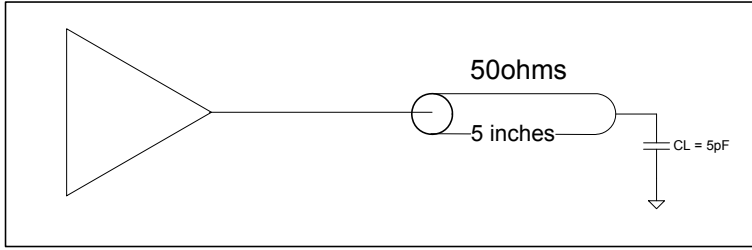
## Phase Noise Plots



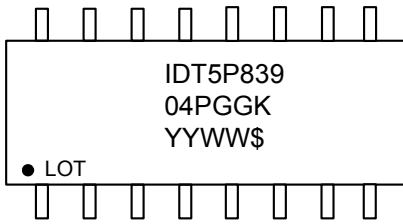
The phase noise plots above show the low Additive Jitter of the 5P8390x high-performance buffer. With an integration range of 12kHz to 20MHz, the reference input has about 58.9fs of RMS phase jitter while the output of 5P8390x has about 70.9fs of RMS phase jitter. This results in a low Additive Phase Jitter of only 39fs.



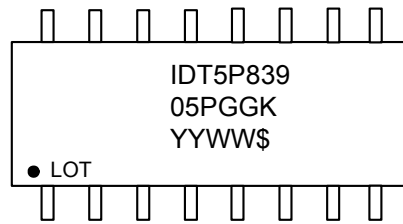
## Test Load and Circuit



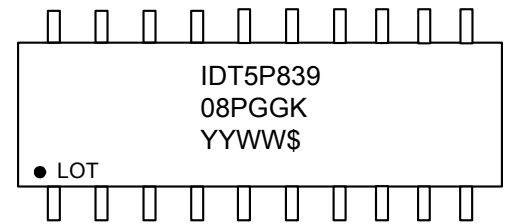
## Marking Diagrams



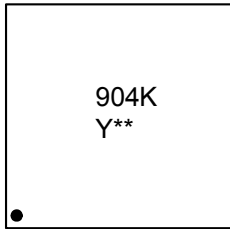
16-pin TSSOP



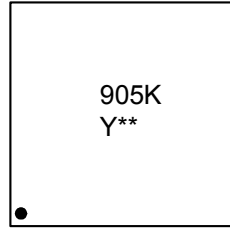
16-pin TSSOP



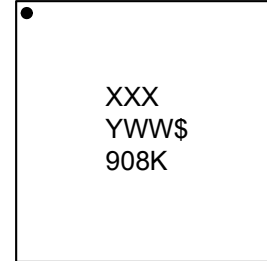
20-pin TSSOP



16-pin QFN



16-pin QFN

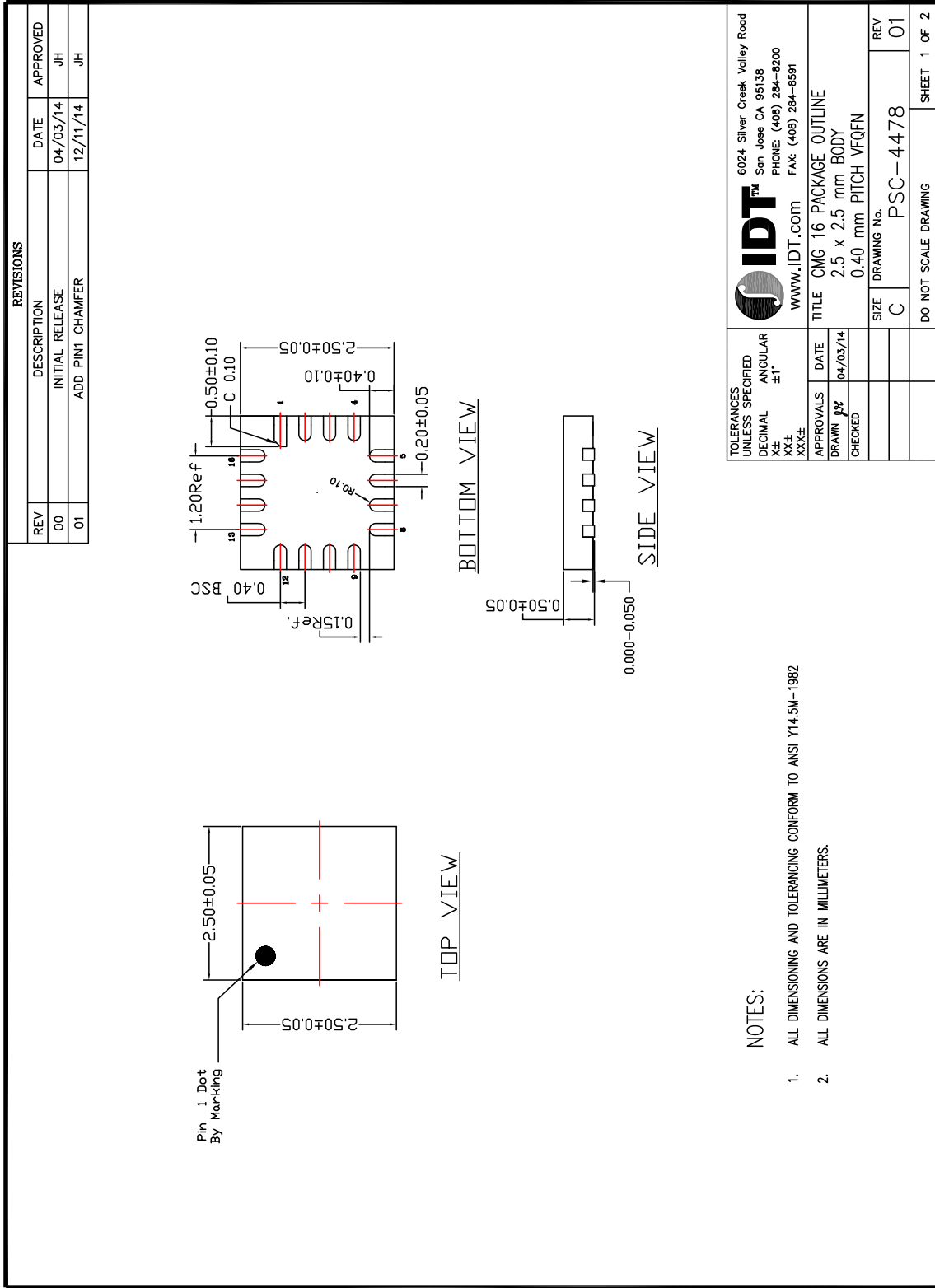


20-pin QFN

### Notes:

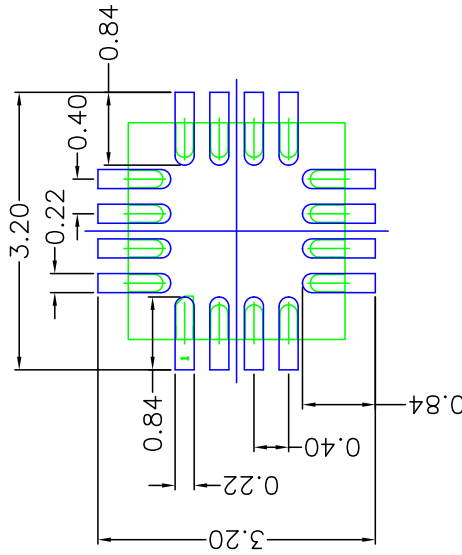
1. "\*\*\*" is the lot sequence.
2. "XXX" denotes the last three characters of the Asm lot (20-pin QFN only).
3. "YYWW", "YWW", "YW", or "Y" is the last digit(s) of the year and week that the part was assembled.
4. "\$" denotes the mark code.
5. "LOT" denotes lot number.
6. "G" after the two-letter package code denotes RoHS compliant package.
7. "I" denotes extended temperature range device.
8. Bottom marking: country of origin (TSSOP only).

Package Outline and Package Dimensions (16-pin QFN, 2.5mm x 2.5mm Body, 0.4mm pitch)



Package Outline and Package Dimensions, cont. (16-pin QFN, 2.5mm x 2.5mm Body, 0.4mm pitch)

| REVISIONS |                  |          |          |
|-----------|------------------|----------|----------|
| REV       | DESCRIPTION      | DATE     | APPROVED |
| 00        | INITIAL RELEASE  | 04/03/14 | JH       |
| 01        | ADD PIN1 CHAMFER | 12/11/14 | JH       |



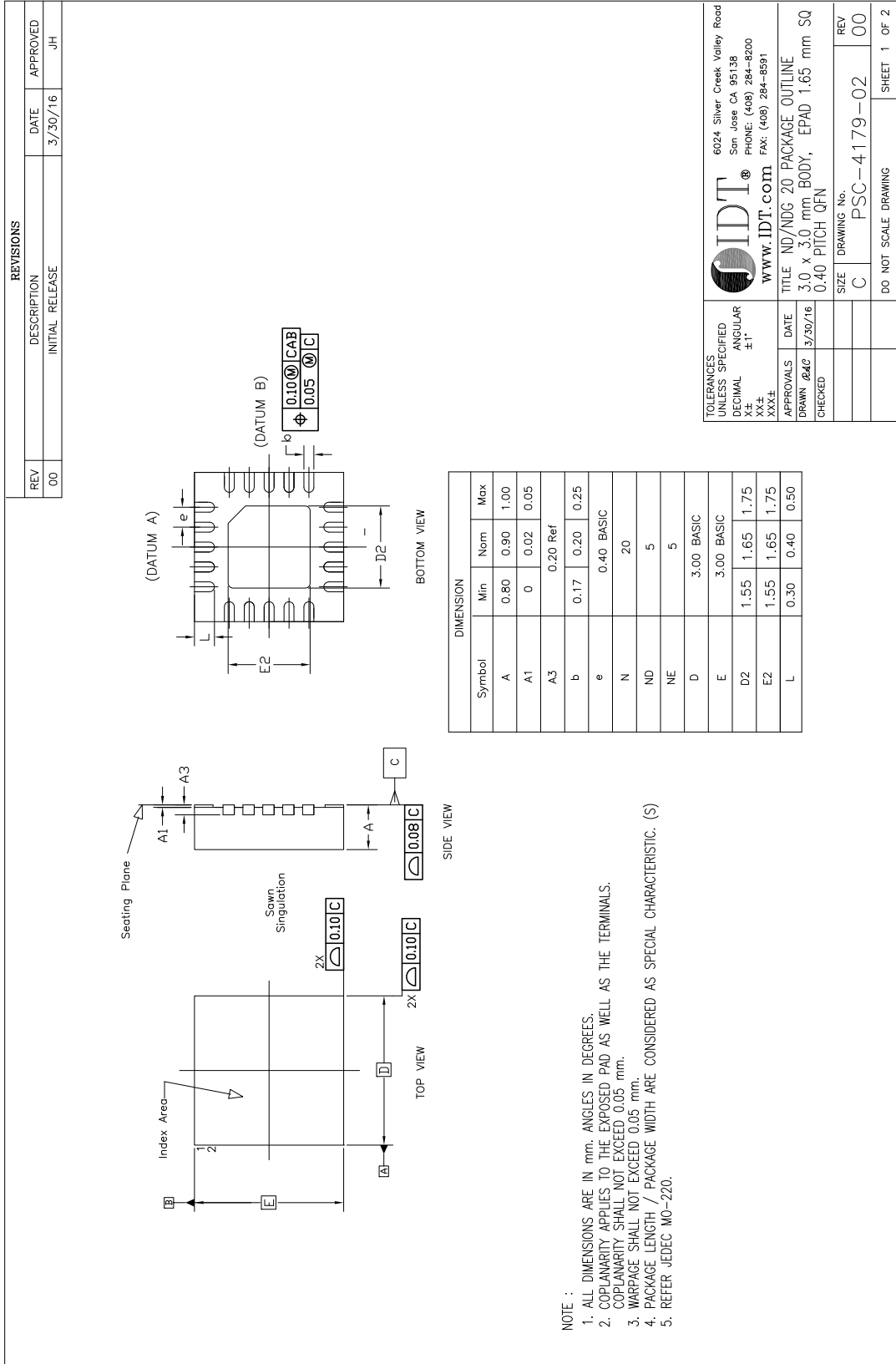
RECOMMENDED LAND PATTERN DIMENSION

NOTES:

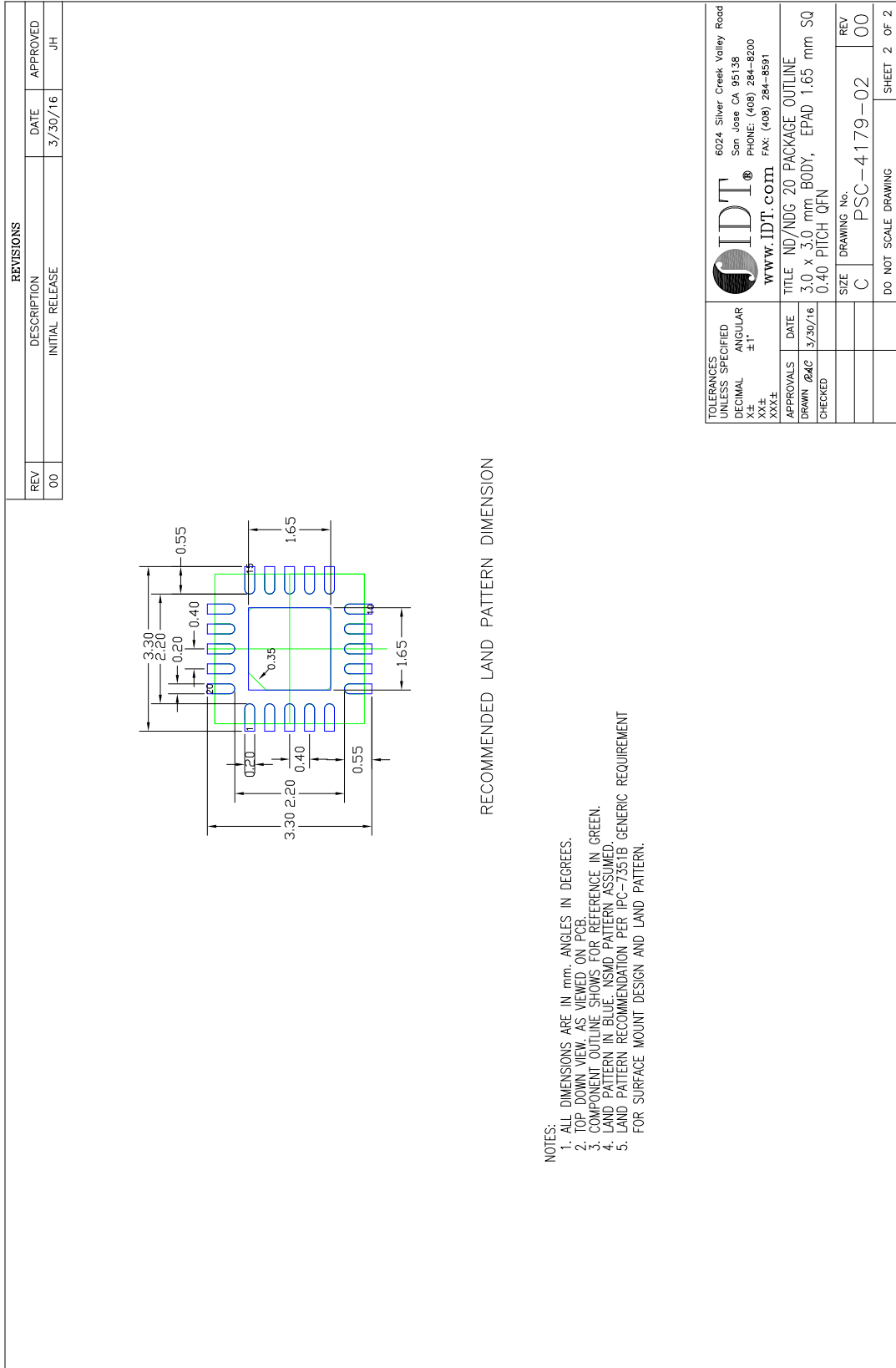
1. ALL DIMENSIONS ARE IN MM. ANGLES IN DEGREES.
2. TOP DOWN VIEW AS VIEWED ON PCB.
3. COMPONENT OUTLINE IS SHOWN FOR REFERENCE IN GREEN.
4. LAND PATTERN IN BLUE. NSMD PATTERN ASSUMED.
5. LAND PATTERN RECOMMENDATION PER IPC-7351B GENERIC REQUIREMENT FOR SURFACE MOUNT DESIGN AND LAND PATTERN.

|  |                       |  |  |  |
|--|-----------------------|--|--|--|
| <b>TOLERANCES UNLESS SPECIFIED</b><br>DECIMAL ±<br>XX±<br>XXX± | <b>ANGULAR</b><br>±1° | <b>APPROVALS</b><br>DRAWN <i>jk</i><br>CHECKED | <b>DATE</b><br>04/03/14  | <b>6024 Silver Creek Valley Road</b><br><b>San Jose CA 95138</b><br><b>PHONE: (408) 284-8200</b><br><b>FAX: (408) 284-8591</b> |
|  | <b>WWW.IDT.COM</b>    |  | <b>6024 Silver Creek Valley Road</b><br><b>San Jose CA 95138</b><br><b>PHONE: (408) 284-8200</b><br><b>FAX: (408) 284-8591</b> |  |
| <b>IDT™</b>  |                       | <b>TITLE</b> CMG 16 PACKAGE OUTLINE            |  |  |
| <b>2.5 x 2.5 mm BODY</b><br><b>0.40 mm PITCH VFQFN</b>         |                       | <b>SIZE</b> DRAWING No.                        |  |  |
| <b>C</b>   |                       | <b>PSC-4478</b>                                |  | <b>REV</b><br><b>01</b>  |
| <b>DO NOT SCALE DRAWING</b>                                    |                       |  |  | <b>SHEET 2 OF 2</b>  |

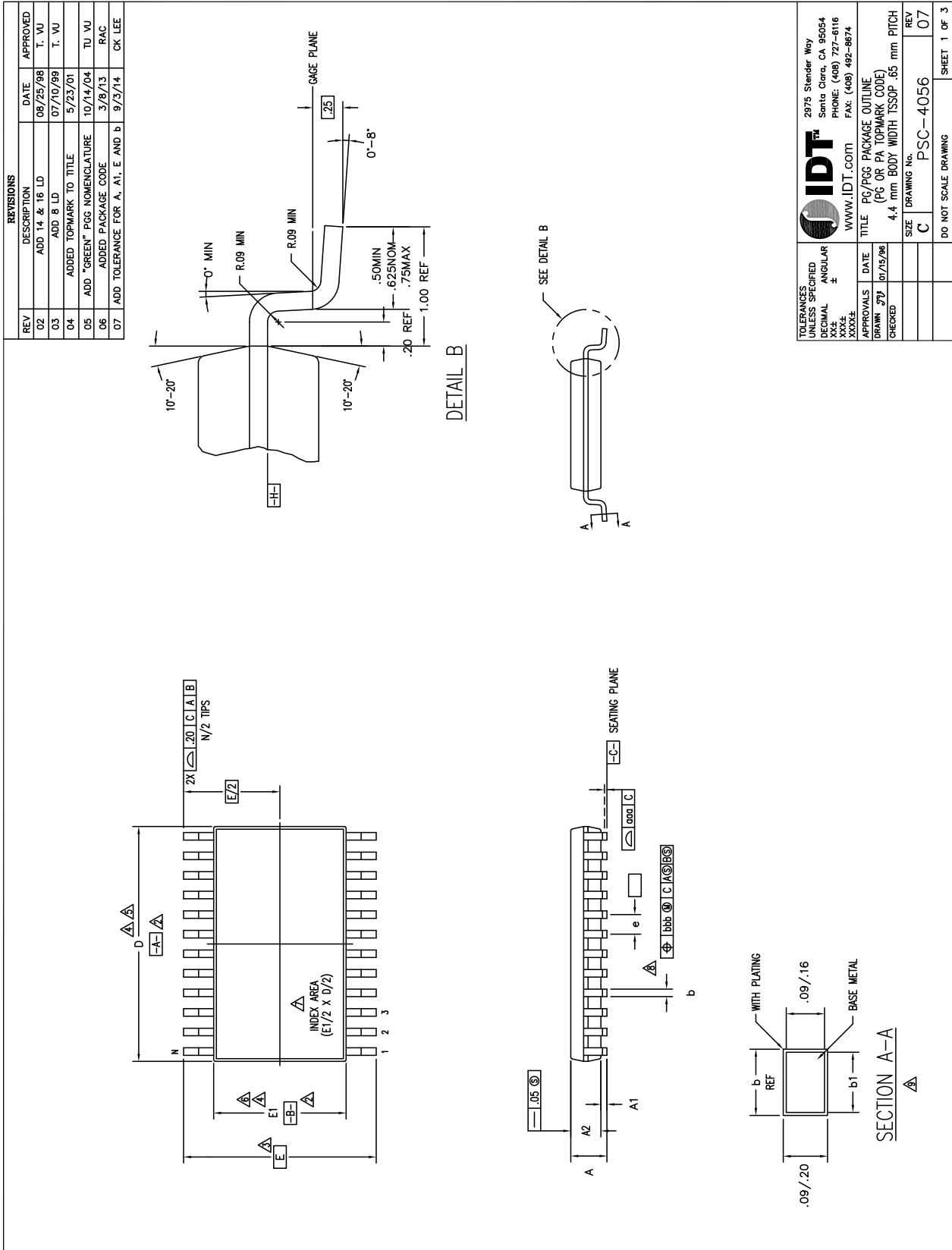
Package Outline and Package Dimensions (20-pin QFN, 3mm x 3mm Body, 0.4mm pitch)



Package Outline and Package Dimensions, cont. (20-pin QFN, 3mm x 3mm Body, 0.4mm pitch)



Package Outline and Package Dimensions (8-, 14-, 16-, 20-pin TSSOP)




Package Outline and Package Dimensions, cont. (8-, 14-, 16-, 20-pin TSSOP)

| REVISIONS |                                  |          |          |
|-----------|----------------------------------|----------|----------|
| REV       | DESCRIPTION                      | DATE     | APPROVED |
| 02        | ADD 14 & 16 LD                   | 08/25/98 | T. VU    |
| 03        | ADD 8 LD                         | 07/10/99 | T. VU    |
| 04        | ADDED TOPMARK TO TITLE           | 5/23/01  |          |
| 05        | ADD "GREEN" PGG NOMENCLATURE     | 10/14/04 | TU VU    |
| 06        | ADDED PACKAGE CODE               | 3/8/13   | RAC      |
| 07        | ADD TOLERANCE FOR A, A1, E AND b | 9/3/14   | CK LEE   |

| S<br>Y<br>M<br>B<br>O<br>L | Pg/Pg68         |      |      |         | Pg/Pg614        |      |      |         | Pg/Pg616        |      |      |         | Pg/Pg620        |      |      |         | Pg/Pg624        |      |      |         | Pg/Pg628        |      |      |         |
|----------------------------|-----------------|------|------|---------|-----------------|------|------|---------|-----------------|------|------|---------|-----------------|------|------|---------|-----------------|------|------|---------|-----------------|------|------|---------|
|                            | JEDEC VARIATION |      |      |         | JEDEC VARIATION |      |      |         | JEDEC VARIATION |      |      |         | JEDEC VARIATION |      |      |         | JEDEC VARIATION |      |      |         | JEDEC VARIATION |      |      |         |
|                            | MIN             | NOM  | MAX  | N D T E | MIN             | NOM  | MAX  | N D T E | MIN             | NOM  | MAX  | N D T E | MIN             | NOM  | MAX  | N D T E | MIN             | NOM  | MAX  | N D T E | MIN             | NOM  | MAX  | N D T E |
| A                          | .85             | 1.10 | 1.20 |         | .85             | 1.10 | 1.20 |         | .85             | 1.10 | 1.20 |         | .85             | 1.10 | 1.20 |         | .85             | 1.10 | 1.20 |         | .85             | 1.10 | 1.20 |         |
| A1                         | .05             | .10  | .15  |         | .05             | .10  | .15  |         | .05             | .10  | .15  |         | .05             | .10  | .15  |         | .05             | .10  | .15  |         | .05             | .10  | .15  |         |
| A2                         | .80             | 1.00 | 1.05 |         | .80             | 1.00 | 1.05 |         | .80             | 1.00 | 1.05 |         | .80             | 1.00 | 1.05 |         | .80             | 1.00 | 1.05 |         | .80             | 1.00 | 1.05 |         |
| D                          | 2.90            | 3.00 | 3.10 | 4.5     | 4.90            | 5.00 | 5.10 | 4.5     | 5.00            | 5.10 | 4.5  | 6.40    | 6.50            | 6.60 | 4.5  | 7.70    | 7.80            | 7.90 | 4.5  | 9.60    | 9.70            | 9.80 | 4.5  |         |
| E                          | 6.20            | 6.40 | 6.60 | 3       | 6.20            | 6.40 | 6.60 | 3       | 6.20            | 6.40 | 6.60 | 3       | 6.20            | 6.40 | 6.60 | 3       | 6.20            | 6.40 | 6.60 | 3       | 6.20            | 6.40 | 6.60 | 3       |
| E1                         | 4.30            | 4.40 | 4.50 | 4.6     | 4.30            | 4.40 | 4.50 | 4.6     | 4.30            | 4.40 | 4.50 | 4.6     | 4.30            | 4.40 | 4.50 | 4.6     | 4.30            | 4.40 | 4.50 | 4.6     | 4.30            | 4.40 | 4.50 | 4.6     |
| e                          | .65 BSC         |      |      |         | .65 BSC         |      |      |         | .65 BSC         |      |      |         | .65 BSC         |      |      |         | .65 BSC         |      |      |         | .65 BSC         |      |      |         |
| b                          | .19             | .25  | .30  |         | .19             | .25  | .30  |         | .19             | .25  | .30  |         | .19             | .25  | .30  |         | .19             | .25  | .30  |         | .19             | .25  | .30  |         |
| b1                         | .19             | .22  | .25  |         | .19             | .22  | .25  |         | .19             | .22  | .25  |         | .19             | .22  | .25  |         | .19             | .22  | .25  |         | .19             | .22  | .25  |         |
| aaa                        | -               | -    | .10  |         | -               | -    | .10  |         | -               | -    | .10  |         | -               | -    | .10  |         | -               | -    | .10  |         | -               | -    | .10  |         |
| bbb                        | -               | -    | .10  |         | -               | -    | .10  |         | -               | -    | .10  |         | -               | -    | .10  |         | -               | -    | .10  |         | -               | -    | .10  |         |
| N                          | 8               |      |      |         | 14              |      |      |         | 16              |      |      |         | 20              |      |      |         | 24              |      |      |         | 28              |      |      |         |

NOTES:

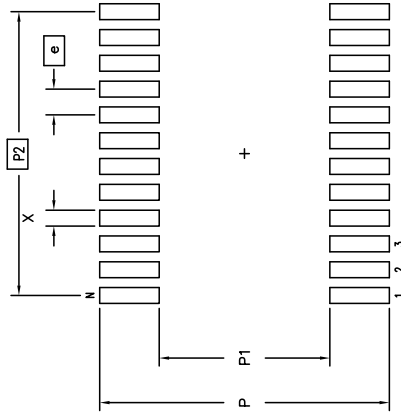
- ALL DIMENSIONING AND TOLERANCING CONFORM TO ASME Y14.5M-1994
- DATUMS **-A-** AND **-B-** TO BE DETERMINED AT DATUM PLANE **-H-**
- DIMENSION E TO BE DETERMINED AT SEATING PLANE **-C-**
- DIMENSIONS D AND E1 ARE TO BE DETERMINED AT DATUM PLANE **-H-**
- DIMENSION D DOES NOT INCLUDE MOLD FLASH, PROTRUSIONS OR GATE BURRS. MOLD FLASH, PROTRUSIONS OR GATE BURRS SHALL NOT EXCEED .15 mm PER SIDE
- DIMENSION E1 DOES NOT INCLUDE INTERLEAD FLASH OR PROTRUSIONS. INTERLEAD FLASH OR PROTRUSIONS SHALL NOT EXCEED .25 mm PER SIDE
- DETAIL OF PIN 1 IDENTIFIER IS OPTIONAL BUT MUST BE LOCATED WITHIN THE ZONE INDICATED
- LEAD WIDTH DIMENSION DOES NOT INCLUDE DAMBAR PROTRUSION. ALLOWABLE DAMBAR PROTRUSION IS .08 mm IN EXCESS OF THE LEAD WIDTH DIMENSION AT MAXIMUM MATERIAL CONDITION. DAMBAR CANNOT BE LOCATED ON THE LOWER RADIUS OR THE FOOT
- THESE DIMENSIONS APPLY TO THE FLAT SECTION OF THE LEAD BETWEEN .10 AND .25 mm FROM THE LEAD TIP
- ALL DIMENSIONS ARE IN MILLIMETERS
- THIS OUTLINE CONFORMS TO JEDEC PUBLICATION 95 REGISTRATION MO-153, VARIATION AA, AB-1, AB, AC, AD & AE

|   |  |   |  |
|---|--|---|--|
|  |  | 2975 Stender Way<br>Santa Clara, CA 95054<br>PHONE: (408) 727-8116<br>FAX: (408) 492-8674 |  |
| TOLERANCES UNLESS SPECIFIED<br>DECIMAL ANGULAR<br>XXX±<br>XXXX±                     |  | www.IDT.com   |  |
| APPROVALS<br>DRAWN: JTY<br>CHECKED:   |  | DATE: 01/19/06  |  |
| TITLE: Pg/Pg68 PACKAGE OUTLINE<br>(PG OR PA TOPMARK CODE)                           |  | SIZE: 4.4 mm BODY WIDTH TSSOP .65 mm PITCH  |  |
| DRAWING No.   |  | REV: 07   |  |
| DO NOT SCALE DRAWING  |  | SHEET 2 OF 3  |  |

Package Outline and Package Dimensions, cont. (8-, 14-, 16-, 20-pin TSSOP)

| REVISIONS |                                  |          |          |
|-----------|----------------------------------|----------|----------|
| REV       | DESCRIPTION                      | DATE     | APPROVED |
| 02        | ADD 14- & 16 LD                  | 08/25/98 | T. VU    |
| 03        | ADD 8 LD                         | 07/10/99 | T. VU    |
| 04        | ADDED TOPMARK TO TITLE           | 5/23/01  |          |
| 05        | ADD "GREEN" PGG NOMENCLATURE     | 10/14/04 | TU VU    |
| 06        | ADDED PACKAGE CODE               | 3/8/13   | RAC      |
| 07        | ADD TOLERANCE FOR A, A1, E AND b | 9/23/14  | CK LEE   |

LAND PATTERN DIMENSIONS



|    | MIN      | MAX      | MIN      | MAX      | MIN      | MAX      | MIN     | MAX     | MIN     | MAX     | MIN     | MAX     |
|----|----------|----------|----------|----------|----------|----------|---------|---------|---------|---------|---------|---------|
| P  | 7.20     | 7.40     | 7.20     | 7.40     | 7.20     | 7.40     | 7.20    | 7.40    | 7.20    | 7.40    | 7.20    | 7.40    |
| P1 | 4.20     | 4.40     | 4.20     | 4.40     | 4.20     | 4.40     | 4.20    | 4.40    | 4.20    | 4.40    | 4.20    | 4.40    |
| P2 | 1.95 BSC | 3.90 BSC | 4.55 BSC | 5.85 BSC | 7.15 BSC | 8.45 BSC |         |         |         |         |         |         |
| X  | .30      | .50      | .30      | .50      | .30      | .50      | .30     | .50     | .30     | .50     | .30     | .50     |
| e  | .65 BSC  | .65 BSC  | .65 BSC  | .65 BSC  | .65 BSC  | .65 BSC  | .65 BSC | .65 BSC | .65 BSC | .65 BSC | .65 BSC | .65 BSC |
| N  | 8        | 14       | 16       | 20       | 24       | 28       |         |         |         |         |         |         |

|   |                  |  |                              |
|---|------------------|--|------------------------------|
| <b>TOLERANCES UNLESS SPECIFIED</b><br>DECIMAL ±<br>XX.X .XX<br>XXX.X ±.XX |                  | <b>IDT</b><br>2975 Stender Way<br>Santa Clara, CA 95054<br>PHONE: (408) 727-6116<br>FAX: (408) 492-8674<br>WWW.IDT.COM |                              |
| APPROVALS<br>DESIGNER: JY<br>CHECKED:                                     | DATE<br>07/15/98 | TITLE<br>PGG/PGG PACKAGE OUTLINE<br>(PG OR PA TOPMARK CODE)<br>4.4 mm BODY WIDTH TSSOP .65 mm PITCH                    | SIZE<br>DRAWING No. PSC-4056 |
|   |                  |  | REV<br>07                    |
| DO NOT SCALE DRAWING  |                  |  | SHEET 3 OF 3                 |



## Ordering Information

| Part / Order Number | Marking    | Shipping Packaging | Package      | Temperature    |
|---------------------|------------|--------------------|--------------|----------------|
| 5P83904PGGK         | see page 9 | Tubes              | 16-pin TSSOP | -40° to +105°C |
| 5P83904PGGK8        |            | Tape and Reel      | 16-pin TSSOP | -40° to +105°C |
| 5P83904CMGK         |            | Cut Tape           | 16-pin QFN   | -40° to +105°C |
| 5P83904CMGK8        |            | Tape and Reel      | 16-pin QFN   | -40° to +105°C |
| 5P83905PGGK         |            | Tubes              | 16-pin TSSOP | -40° to +105°C |
| 5P83905PGGK8        |            | Tape and Reel      | 16-pin TSSOP | -40° to +105°C |
| 5P83905CMGK         |            | Cut Tape           | 16-pin QFN   | -40° to +105°C |
| 5P83905CMGK8        |            | Tape and Reel      | 16-pin QFN   | -40° to +105°C |
| 5P83908PGGK         |            | Tubes              | 20-pin TSSOP | -40° to +105°C |
| 5P83908PGGK8        |            | Tape and Reel      | 20-pin TSSOP | -40° to +105°C |
| 5P83908NDGK         |            | Tubes              | 20-pin QFN   | -40° to +105°C |
| 5P83908NDGK8        |            | Tape and Reel      | 20-pin QFN   | -40° to +105°C |

“G” after the two-letter package code denotes Pb-Free configuration, RoHS compliant.

“K” denotes extended temperature range.

## Revision History

| Rev. | Date     | Originator | Description of Change   |
|------|----------|------------|---|
| A    | 07/11/16 | H.G.       | Release to final.   |
| B    | 10/05/16 | Y.G.       | 1. Update "Propagation Delay" typical values per latest characterization data.<br>2. Update "Output Rise/Fall" maximum values per latest characterization data. |

