

Description

The 5PB12xx is a high-performance TCXO/LVCMOS clock fanout buffer family with individual OE pin for each output. The CLKIN pin can accept either a square wave (LVCMOS) or clipped sine wave (such as TCXO clipped sine wave output) as input.

There are 3 different fan-out versions available: 1:3, 1:4 and 1:6.

The 5PB12xx has industry-leading low jitter and extremely low current consumption, making it ideal for smart mobile devices.

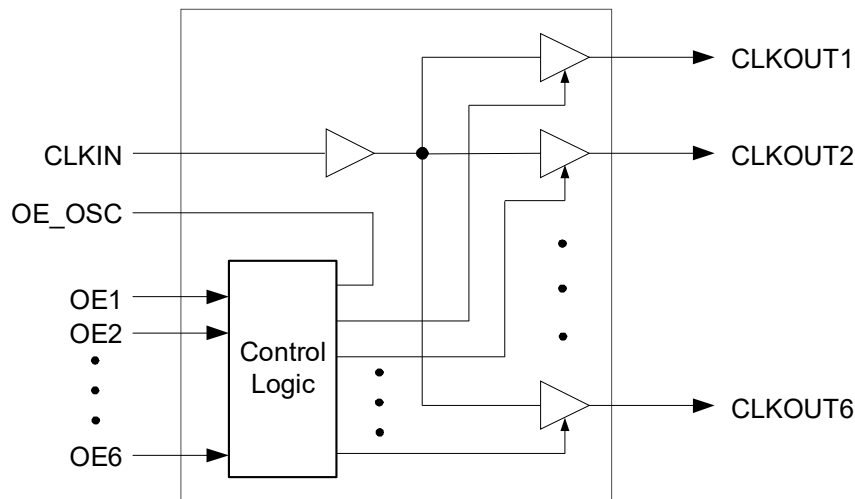
Typical Applications

- Smart Mobile Handsets
- RF and baseband peripheral clock distribution
- Automotive

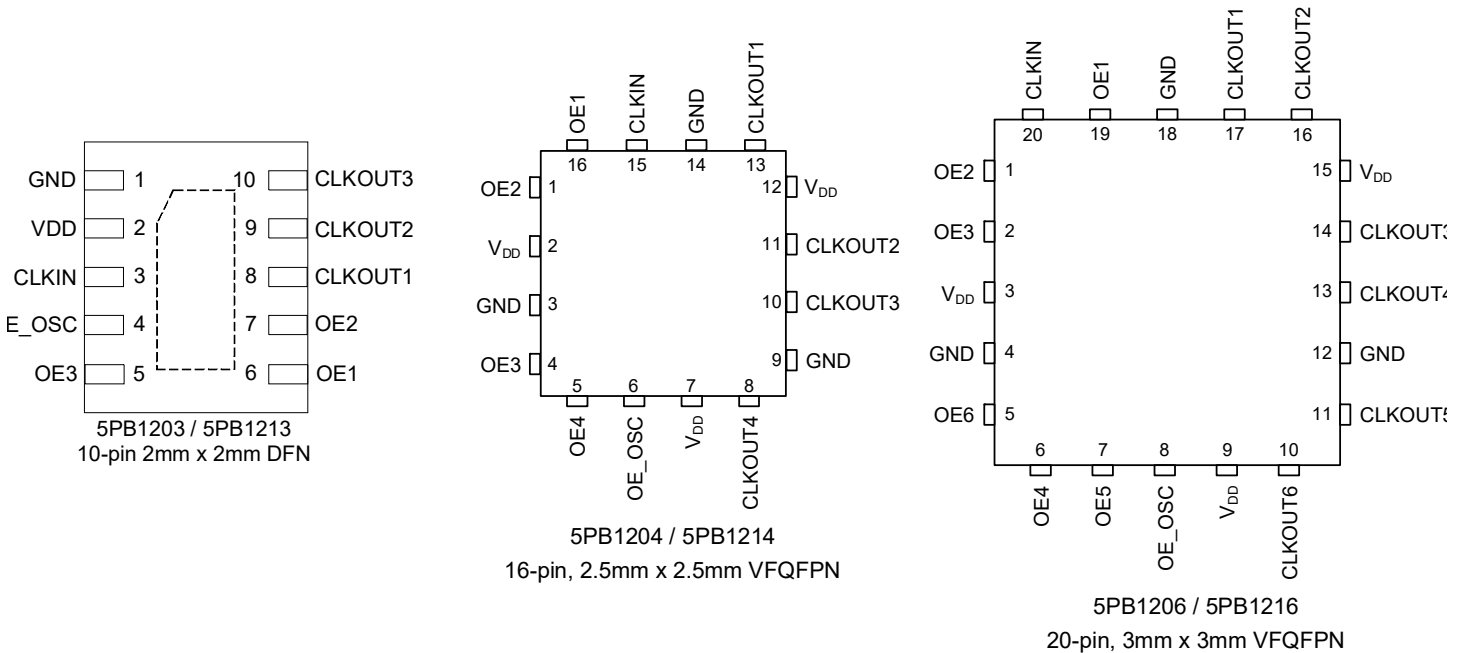
Features

- Extremely low operating and standby current consumption
- Low RMS additive phase jitter
- Family supports 1.8V to 3.3V power supply voltage:
 - For 1.8V supply: 5PB1203, 5PB1204, 5PB1206
 - For 2.5V / 3.3V supply: 5PB1213, 5PB1214, 5PB1216
- Three, four, and six outputs with individual Output Enable pin
- One input
- OE_OSC control pin to enable/disable reference TCXO/XO
- Small 10-pin, 16-pin and 20-pin packages available
- Industrial -40° to +105°C temperature range

Block Diagram



Pin Assignments



Pin Descriptions

Pin Name	Pin Number			Pin Type	Pin Description
	5PB1203 5PB1213	5PB1204 5PB1214	5PB1206 5PB1216		
VDD	2	2, 7, 12	3, 9, 15	Power	Connect 1.8V to 5PB1203/5PB1204/5PB1206. Connect 2.5V or 3.3V to 5PB1213/5PB1214/5PB1216.
GND	1	3, 9, 14	4, 12, 18	Power	Power supply ground.
CLKIN	3	15	20	Input	Single-ended clock input. Typically connected to a single-ended clock output.
OE_ OSC	4	6	8	Output	Status pin to indicate that all OE pins are low (all outputs disabled). This pin may be used to disable an external oscillator when all outputs are disabled. Refer to Enable Function Truth Table for additional details. 0 = All OE pins indicate disabled (off) 1 = At least one OE pin indicates enabled (on)
OE1	6	16	19	Input	Output Enable pin for CLKOUT1. Active High. Internal 120kΩ pull-down.
OE2	7	1	1	Input	Output Enable pin for CLKOUT2. Active High. Internal 120kΩ pull-down.
OE3	5	4	2	Input	Output Enable pin for CLKOUT3. Active High. Internal 120kΩ pull-down.
OE4	—	5	6	Input	Output Enable pin for CLKOUT4. Active High. Internal 120kΩ pull-down.
OE5	—	—	7	Input	Output Enable pin for CLKOUT5. Active High. Internal 120kΩ pull-down.
OE6	—	—	5	Input	Output Enable pin for CLKOUT6. Active High. Internal 120kΩ pull-down.
CLKOUT1	8	13	17	Output	Clock Output 1. Same frequency as CLKIN.
CLKOUT2	9	11	16	Output	Clock Output 2. Same frequency as CLKIN.
CLKOUT3	10	10	14	Output	Clock Output 3. Same frequency as CLKIN.
CLKOUT4	—	8	13	Output	Clock Output 4. Same frequency as CLKIN.
CLKOUT5	—	—	11	Output	Clock Output 5. Same frequency as CLKIN.
CLKOUT6	—	—	10	Output	Clock Output 6. Same frequency as CLKIN.

Enable Function Truth Table

Input						Output						
OE1	OE2	OE3	OE4	OE5	OE6	OE_ OSC	CLKOUT1	CLKOUT2	CLKOUT3	CLKOUT4	CLKOUT5	CLKOUT6
0	0	0	0	0	0	0	Hi-Z	Hi-Z	Hi-Z	Hi-Z	Hi-Z	Hi-Z
1	0	0	0	0	0	1	CLOCK	Hi-Z	Hi-Z	Hi-Z	Hi-Z	Hi-Z
1	1	0	0	0	0	1	CLOCK	CLOCK	Hi-Z	Hi-Z	Hi-Z	Hi-Z
...
1	1	1	1	1	1	1	CLOCK	CLOCK	CLOCK	CLOCK	CLOCK	CLOCK

External Components

A minimum number of external components are required for proper operation. A 0.01µF bypass capacitor should be used on each VDD pin. Use a separate ground via to the board ground plane for the capacitor. Use a separate ground via for each GND pin. Do not share the ground via. Route power from the via to the VDD plane through the bypass capacitor and then to the VDD pin. A 33Ω series termination resistor should be used on each clock output pin.

To achieve the low output skew that the 5PB12xx is capable of, careful attention must be paid to board layout. Essentially, all four outputs must have identical terminations, identical loads and identical trace geometries. If they do not, the output skew will be degraded. For example, using a 30Ω series termination on one output (with 33Ω on the others) will cause at least 15ps of skew.

Absolute Maximum Ratings

Stresses above the ratings listed below can cause permanent damage to the 5PB12xx. These ratings, which are standard values for IDT commercially rated parts, are stress ratings only. Functional operation of the device at these or any other conditions above those indicated in the operational sections of the specifications is not implied. Exposure to absolute maximum rating conditions for extended periods can affect product reliability. Electrical parameters are guaranteed only over the recommended operating temperature range.

Item	Rating
Supply Voltage, VDD	3.8V
Output Enable and All Inputs/Outputs	-0.5 V to VDD + 0.5 V
Ambient Operating Temperature (extended)	-40 to +105°C
Storage Temperature	-65 to +150°C
Junction Temperature	125°C
Soldering Temperature	260°C

DC Electrical Characteristics

(VDD = 1.8V, 2.5V, 3.3V)

VDD = 1.8V ±5%, for **5PB1203 / 1204 / 1206**, ambient temperature -40° to +105°C, unless stated otherwise.

Parameter	Symbol	Conditions	Min.	Typ.	Max.	Units
Operating Voltage	VDD		1.71		1.89	V
Input High Voltage, CLKIN	V _{IH}	LVC MOS input. Note 1	VDD/2 + 200		VDD	mV
Input Low Voltage, CLKIN	V _{IL}	LVC MOS input. Note 1			VDD/2 - 200	mV
Input High Voltage, OE	V _{IH}		0.7xVDD		VDD	V
Input Low Voltage, OE	V _{IL}				0.3xVDD	V
Output High Voltage	V _{OH}	I _{OH} = -4mA	0.8xVDD			V
Output Low Voltage	V _{OL}	I _{OL} = 4mA			0.2xVDD	V
Nominal Output Impedance	Z _O			17		Ω
Input Capacitance	C _{IN}			5		pF
Operating Supply Current						
5PB1203	IDD	CLKIN = 26MHz, all outputs enabled		4.76	5.91	mA
		CLKIN = Low or High, all outputs disabled		0.01	0.01	
5PB1204		CLKIN = 26MHz, all outputs enabled		5.99	7.22	
		CLKIN = Low or High, all outputs disabled		0.01	0.01	
5PB1206		CLKIN = 26MHz, all outputs enabled		9.15	11.39	
		CLKIN = Low or High, all outputs disabled		0.01	0.01	

VDD = 2.5V ±5%, for **5PB1213 / 1214 / 1216**, ambient temperature -40° to +105°C, unless stated otherwise.

Parameter	Symbol	Conditions	Min.	Typ.	Max.	Units
Operating Voltage	VDD		2.375		2.625	V
Input High Voltage, CLKIN	V _{IH}	LVC MOS input. Note 1	VDD/2 + 200		VDD	mV
Input Low Voltage, CLKIN	V _{IL}	LVC MOS input. Note 1			VDD/2 - 200	mV
Input High Voltage, OE	V _{IH}		0.7xVDD		VDD	V
Input Low Voltage, OE	V _{IL}				0.3xVDD	V
Output High Voltage	V _{OH}	I _{OH} = -4mA	0.8xVDD			V
Output Low Voltage	V _{OL}	I _{OL} = 4mA			0.2xVDD	V
Nominal Output Impedance	Z _O			17		Ω
Input Capacitance	C _{IN}	ICLK, OE pin		5		pF
Operating Supply Current						
5PB1213	IDD	CLKIN = 26MHz, all outputs enabled		6.66	8.54	mA
		CLKIN = Low or High, all outputs disabled		0.01	0.02	
5PB1214		CLKIN = 26MHz, all outputs enabled		8.36	10.48	
		CLKIN = Low or High, all outputs disabled		0.01	0.03	
5PB1216		CLKIN = 26MHz, all outputs enabled		12.58	16.30	
		CLKIN = Low or High, all outputs disabled		0.01	0.04	

VDD = 3.3V ±5%, for 5PB1213 / 1214 / 1216, ambient temperature -40° to +105°C, unless stated otherwise

Parameter	Symbol	Conditions	Min.	Typ.	Max.	Units
Operating Voltage	VDD		3.135		3.465	V
Input High Voltage, CLKIN	V _{IH}	LVC MOS input. Note 1	VDD/2 + 200		VDD	mV
Input Low Voltage, CLKIN	V _{IL}	LVC MOS input. Note 1			VDD/2 - 200	mV
Input High Voltage, OE	V _{IH}		0.7xVDD		VDD	V
Input Low Voltage, OE	V _{IL}				0.3xVDD	V
Output High Voltage	V _{OH}	I _{OH} = -4mA	0.8xVDD			V
Output Low Voltage	V _{OL}	I _{OL} = 4mA			0.2xVDD	V
Nominal Output Impedance	Z _O			17		Ω
Input Capacitance	C _{IN}	ICLK, OE pin		5		pF
Operating Supply Current						
5PB1213	IDD	CLKIN = 26MHz, all outputs enabled		8.96	11.65	mA
		CLKIN = Low or High, all outputs disabled		0.14	0.45	
5PB1214		CLKIN = 26MHz, all outputs enabled		11.34	14.06	
		CLKIN = Low or High, all outputs disabled		0.20	0.63	
5PB1216		CLKIN = 26MHz, all outputs enabled		16.87	21.72	
		CLKIN = Low or High, all outputs disabled		0.22	0.70	

Notes: 1. Nominal switching threshold is VDD/2.

AC Electrical Characteristics

(VDD = 1.8V, 2.5V, 3.3V)

VDD = 1.8V ±5%; for 5PB1203 / 1204 / 1206, ambient Temperature -40° to +105°C, unless stated otherwise

Parameter	Symbol	Conditions	Min.	Typ.	Max.	Units
Input Frequency			0		200	MHz
Output Rise Time	t _{OR}	0.36 to 1.44V, C _L = 5pF		0.6	1.0	ns
Output Fall Time	t _{OF}	1.44 to 0.36V, C _L = 5pF		0.6	1.0	ns
Propagation Delay	Note 1	Note 1	1.5	2.0	2.5	ns
Buffer Additive Phase Jitter, RMS		26MHz TCXO clipped sine wave input, Integration Range: 12kHz to 20MHz		420		fs
		125MHz LVCMOS input, Integration Range: 12kHz to 20MHz		42		fs
Output to Output Skew	t _{SKEWO-O}	Note 2, Rising edges at VDD/2		20	50	ps
Device to Device Skew	t _{SKEWD-D}	Rising edges at VDD/2			200	ps
Output Enable/Disable time (OEx to CLKOUTx driven/Hi-Z)	t _{EN} /t _{DIS}	CL < 5pF			5.5	ns
Start-up Time	t _{START-UP}				2	ms
TCXO Clock Clipped Sine Wave Input Voltage Swing Level	V _{INpp}	VDD = 1.8V, should connect to CLKIN through AC coupling and bias circuit		0.8		V

VDD = 2.5V ±5%; for 5PB1213 / 1214 / 1216, ambient Temperature -40° to +105°C, unless stated otherwise

Parameter	Symbol	Conditions	Min.	Typ.	Max.	Units
Input Frequency			0		200	MHz
Output Rise Time	t _{OR}	0.5 to 2.0V, C _L = 5pF		0.6	1.0	ns
Output Fall Time	t _{OF}	2.0 to 0.5V, C _L = 5pF		0.6	1.0	ns
Propagation Delay	Note 1	Note 1	1.7	2.2	2.7	ns
Buffer Additive Phase Jitter, RMS		26MHz TCXO clipped sine wave input, Integration Range: 12kHz to 20MHz		280		fs
		125MHz LVCMOS input, Integration Range: 12kHz to 20MHz		30		fs
Output to Output Skew	t _{SKEWO-O}	Note 2, Rising edges at VDD/2		20	50	ps
Device to Device Skew	t _{SKEWD-D}	Rising edges at VDD/2			200	ps
Output Enable/Disable time (OEx to CLKOUTx driven/Hi-Z)	t _{EN} /t _{DIS}	CL < 5pF			3.8	ns
Start-up Time	t _{START-UP}	Part start-up time for valid outputs after VDD ramp-up			2	ms
TCXO Clock Clipped Sine Wave Input Voltage Swing Level	V _{INpp}	VDD = 2.5V, should connect to CLKIN through AC coupling and bias circuit		0.8		V

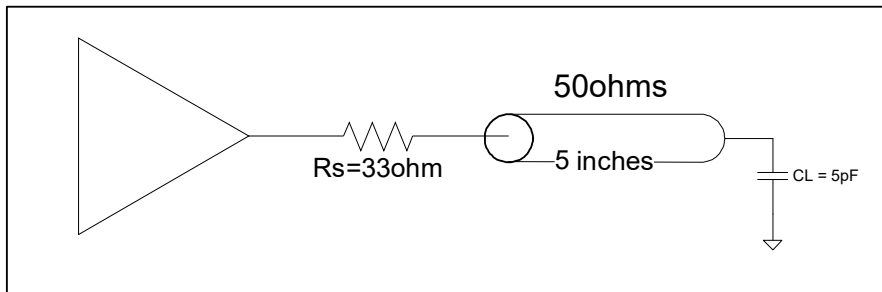
VDD = 3.3V ±5%; for 5PB1213 / 1214 / 1216, ambient Temperature -40° to +105°C, unless stated otherwise

Parameter	Symbol	Conditions	Min.	Typ.	Max.	Units
Input Frequency			0		200	MHz
Output Rise Time	t _{OR}	0.66 to 2.64V, C _L = 5pF		0.6	1.0	ns
Output Fall Time	t _{OF}	2.64 to 0.66V, C _L = 5pF		0.6	1.0	ns
Propagation Delay	Note 1	Note 1	1.4	1.9	2.4	ns
Buffer Additive Phase Jitter, RMS		26MHz TCXO clipped sine wave input, Integration Range: 12kHz to 20MHz		377		fs
		125MHz LVCMOS input, Integration Range: 12kHz to 20MHz		18		fs
Output to Output Skew	t _{SKEWO-O}	Note 2, Rising edges at VDD/2		20	50	ps
Device to Device Skew	t _{SKEWD-D}	Rising edges at VDD/2			200	ps
Output Enable/Disable time (OEx to CLKOUTx driven/Hi-Z)	t _{EN} /t _{DIS}	CL < 5pF			3.2	ns
Start-up Time	t _{START-UP}	Part start-up time for valid outputs after VDD ramp-up			2	ms
TCXO Clock Clipped Sine Wave Input Voltage Swing Level	VIN _{pp}	VDD = 3.3V, should connect to CLKIN through AC coupling and bias circuit		0.5		V

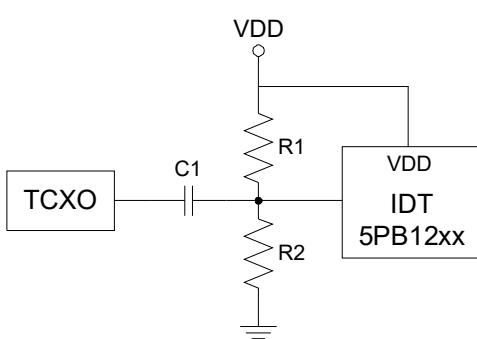
Notes:

1. With rail to rail input clock.
2. Between any 2 outputs with equal loading.
3. Duty cycle on outputs will match incoming clock duty cycle. Consult IDT for tight duty cycle clock generators.

Test Load and Circuit



AC Coupling and Bias Circuit



Component	Value
C1	0.1µF
R1	10k
R2	10k

Package Outline Drawings

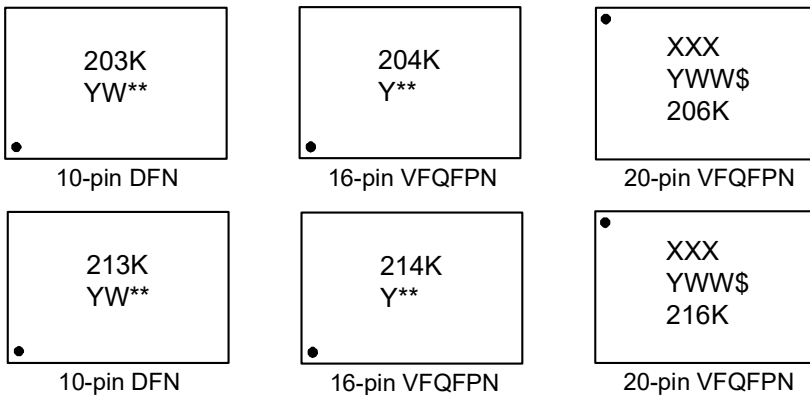
The package outline drawings are located at the end of this document and are accessible from the Renesas website (see [Ordering Information](#) for POD links). The package information is the most current data available and is subject to change without revision of this document.

Ordering Information

Part Number	Carrier	Package Description	Temp. Range
5PB1203NTGK	Cut Tape	10-pin DFN	-40 to +105°C
5PB1203NTGK8	Tape and Reel	10-pin DFN	-40 to +105°C
5PB1213NTGK	Cut Tape	10-pin DFN	-40 to +105°C
5PB1213NTGK8	Tape and Reel	10-pin DFN	-40 to +105°C
5PB1204CMGK	Cut Tape	16-pin VFQFPN	-40 to +105°C
5PB1204CMGK8	Tape and Reel	16-pin VFQFPN	-40 to +105°C
5PB1214CMGK	Cut Tape	16-pin VFQFPN	-40 to +105°C
5PB1214CMGK8	Tape and Reel	16-pin VFQFPN	-40 to +105°C
5PB1206NDGK	Tube	20-pin VFQFPN	-40 to +105°C
5PB1206NDGK8	Tape and Reel	20-pin VFQFPN	-40 to +105°C
5PB1216NDGK	Tube	20-pin VFQFPN	-40 to +105°C
5PB1216NDGK8	Tape and Reel	20-pin VFQFPN	-40 to +105°C

“G” after the two-letter package code denotes Pb-Free configuration, RoHS compliant.

Marking Diagrams



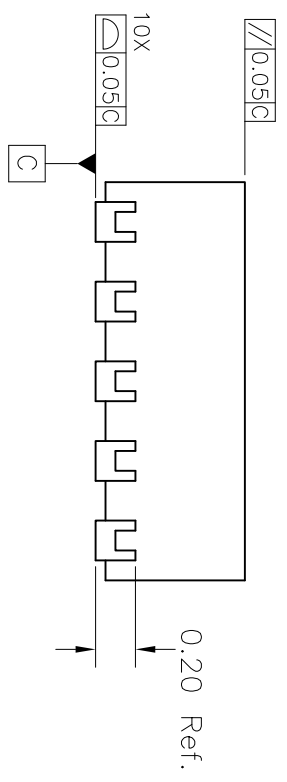
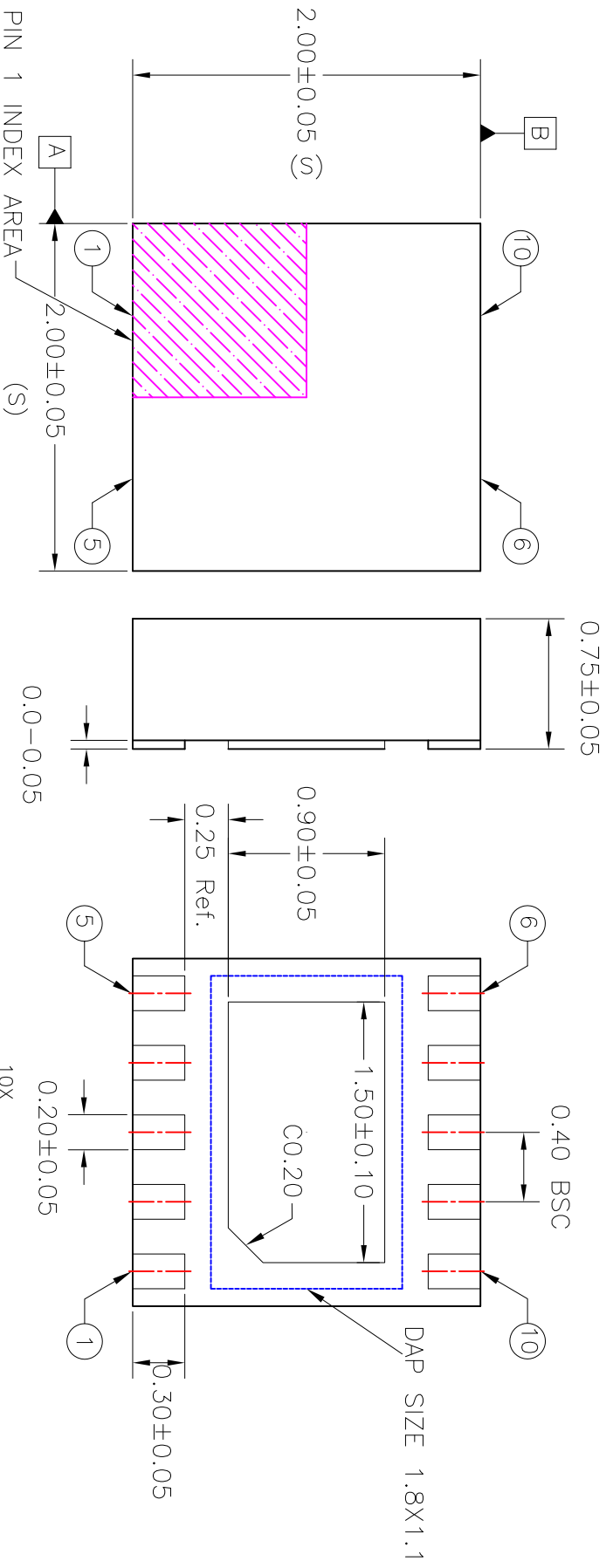
Notes:

1. “**” is the lot number.
2. “YWW”, “YW”, or “Y” are the last digit(s) of the year and week that the part was assembled.
3. “\$” denotes mark location code.
4. “K” denotes extended temperature range device.
5. “XXX” denotes last three characters of Asm lot.

Revision History

Date	Description of Change
June 7, 2022	<ul style="list-style-type: none"> ▪ Updated pin 1 dot location for 20-pin VFQFPN Marking Diagrams. ▪ Updated Package Outline Drawings and Ordering Information section.
December 7, 2021	<ul style="list-style-type: none"> ▪ Updated Pin Descriptions. ▪ Corrected Output Enable/Disable time (OEx to CLKOUTx driven/Hi-Z) enable/disable time for 1.8V, 2.5V, and 3.3V AC Electrical Characteristics.
January 15, 2021	Updated 1st paragraph text in External Components section.
February 3, 2020	<ul style="list-style-type: none"> ▪ Updated the capacitor value for C1 in AC Coupling and Bias Circuit
November 22, 2019	<ul style="list-style-type: none"> ▪ Updated "Operating Supply Current" data in DC Electrical Characteristics for VDD = 1.8V ±5%, VDD = 2.5V ±5%, and VDD = 3.3V ±5% ▪ Updated Package Outline Drawings; however, no mechanical changes
February 28, 2018	<ul style="list-style-type: none"> ▪ Updated CLKIN input high and low voltage ratings in DC characterization tables. ▪ Updated Absolute Maximum supply voltage (VDD) from 3.465V to 3.8V.
April 10, 2017	<ul style="list-style-type: none"> ▪ Updated Operating Supply Current and Operating Voltage values in DC electrical characteristics tables. ▪ Updated Propagation Delay and Output skew values in AC electrical characteristics tables. ▪ Updated package outline drawings. ▪ Updated legal disclaimer.
July 11, 2016	Initial release.

REVISIONS			
REV	DESCRIPTION	DATE	APPROVED
00	INITIAL RELEASE	5/20/15	J.HUA

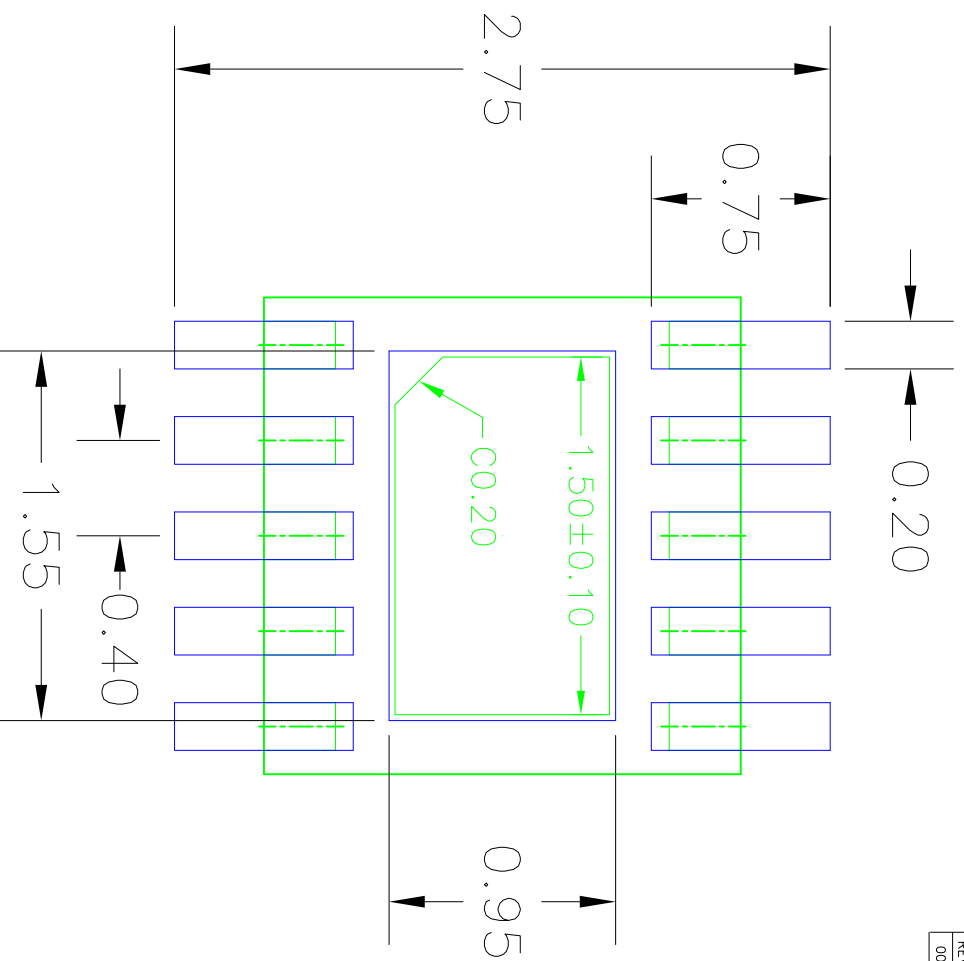


NOTES:

1. ALL DIMENSIONS IN MM.

TOLERANCES UNLESS SPECIFIED		IDT TM 6024 Silver Creek Valley Rd San Jose, CA 95138 PHONE: (408) 727-6116 FAX: (408) 492-8674 www.idt.com	
DECIMAL	ANGULAR	±	
XXX	XXXX		
XXXXX			
APPROVALS	DATE	TITLE	
DRAWN ∂ AC	5/20/15	NTG10 PACKAGE OUTLINE	
CHECKED		2.0 x 2.0 mm BODY	
		0.75 mm THICK	
SIZE	DRAWING No.	REV	
C	PSC-4612	00	
DO NOT SCALE DRAWING			SHEET 1 OF 2

REVISIONS			
REV	DESCRIPTION	DATE	APPROVED
00	INITIAL RELEASE	5/20/15	JHUA



RECOMMENDED LAND PATTERN DIMENSION

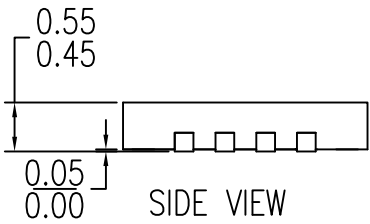
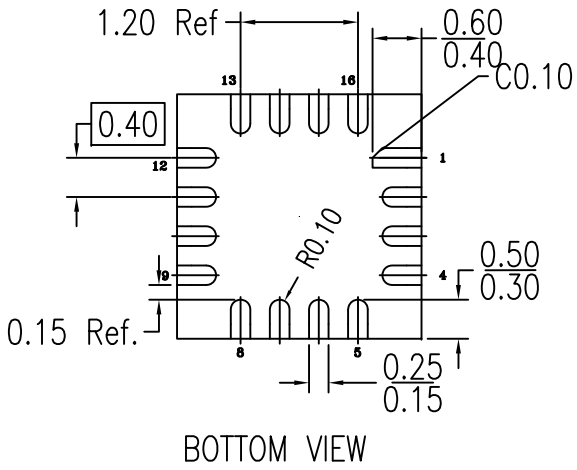
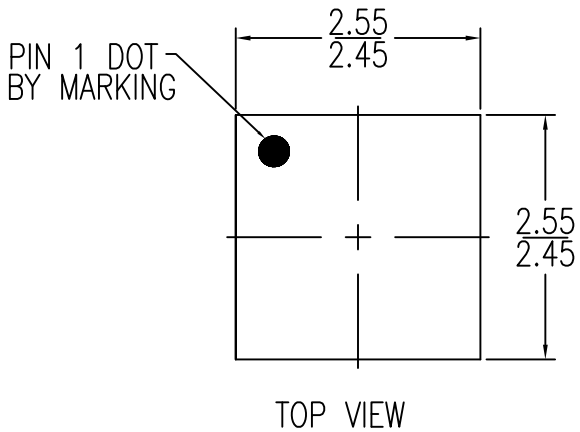
NOTES:

1. ALL DIMENSIONS ARE IN mm. ANGLES IN DEGREES.
2. TOP DOWN VIEW, AS VIEWED ON PCB.
3. COMPONENT OUTLINE IS SHOWN FOR REFERENCE IN GREEN.
4. LAND PATTERN IN BLUE. NSMD PATTERN ASSUMED.
5. LAND PATTERN RECOMMENDATION PER IPC-7351B GENERIC REQUIREMENT FOR SURFACE MOUNT DESIGN AND LAND PATTERN.


TOLERANCES UNLESS SPECIFIED		6024 Silver Creek Valley Rd	
DECIMAL	ANGULAR	San Jose, CA 95138	
±	±	PHONE: (408) 727-6116	
XXXX±		WWW.IDT.COM	
XXXX±		FAX: (408) 492-8874	
APPROVALS	DATE	TITLE	2.0 x 2.0 mm BODY
DRAWN	5/20/15		0.75 mm THICK
CHECKED		SIZE	DRAWING No.
		C	PSC-4612
		REV	00
DO NOT SCALE DRAWING		SHEET 2 OF 2	

REVISIONS			
DATE CREATED	REV	DESCRIPTION	AUTHOR
4/3/14	00	INITIAL RELEASE	JH
12/11/14	01	ADD PIN1 CHAMFER	JH
4/5/18	02	CHANGE QFN TO VFQFPN, RECALCULATE LAND PATTERN	RC

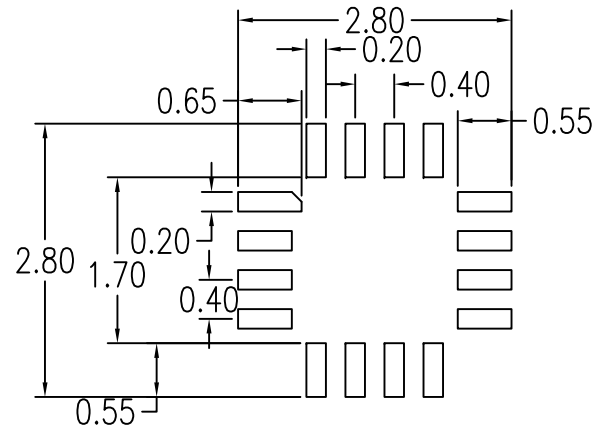
NOE: REFER TO DCP FOR OFFICIAL RELEASE DATE



NOTES:
 1. ALL DIMENSIONING AND TOLERANCING CONFORM TO ANSI Y14.5M-1982
 2. ALL DIMENSIONS ARE IN MILLIMETERS.

TOLERANCES UNLESS SPECIFIED DECIMAL X± XX± XXX±	ANGULAR ±1°	 IDT™ www.IDT.com	6024 Silver Creek Valley Road San Jose CA 95138 PHONE: (408) 284-8200 FAX: (408) 284-8591	
			TITLE CMG16 Package Outline Drawing 2.5 x 2.5 x 0.5 mm Body 0.40mm Pitch VFQFPN	
DRAWN	SIZE	DRAWING No.	REV	
	C	PSC-4478	02	
DO NOT SCALE DRAWING			SHEET 1 OF 2	


REVISIONS			
DATE CREATED	REV	DESCRIPTION	AUTHOR
4/3/14	00	INITIAL RELEASE	JH
12/11/14	01	ADD PIN1 CHAMFER	JH
4/5/18	02	CHANGE QFN TO VFQFPN, RECALCULATE LAND PATTERN	RC
NOE: REFER TO DCP FOR OFFICIAL RELEASE DATE			

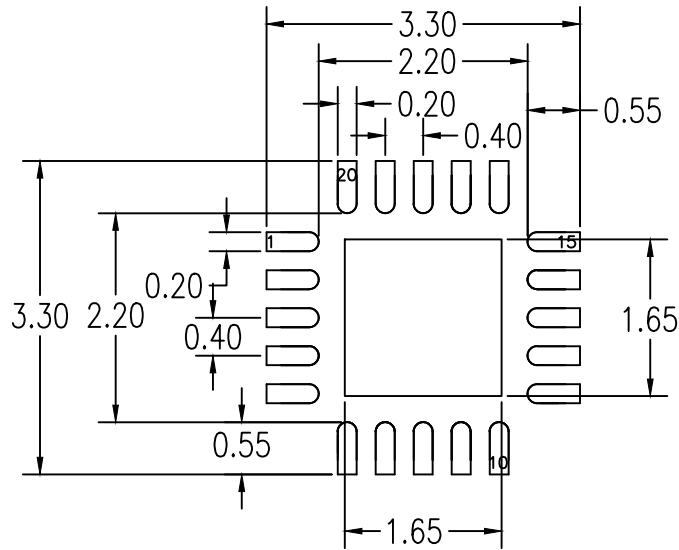


RECOMMENDED LAND PATTERN DIMENSION

NOTES:

1. ALL DIMENSIONS ARE IN MM. ANGLES IN DEGREES.
2. TOP DOWN VIEW AS VIEWED ON PCB.
3. LAND PATTERN RECOMMENDATION PER IPC-7351B GENERIC REQUIREMENT FOR SURFACE MOUNT DESIGN AND LAND PATTERN.

TOLERANCES UNLESS SPECIFIED		 IDT™ www.IDT.com	6024 Silver Creek Valley Road San Jose CA 95138 PHONE: (408) 284-8200 FAX: (408) 284-8591	
DECIMAL	ANGULAR			
X±	±1°			
XX±				
XXX±				
DRAWN		TITLE CMG16 Package Outline Drawing 2.5 x 2.5 x 0.5 mm Body 0.40mm Pitch VFQFPN		
SIZE	DRAWING No.	REV		
C	PSC-4478	02		
DO NOT SCALE DRAWING			SHEET 2 OF 2	



RECOMMENDED LAND PATTERN DIMENSION

NOTES:

1. ALL DIMENSIONS ARE IN MM. ANGLES IN DEGREES.
2. TOP DOWN VIEW. AS VIEWED ON PCB.
3. LAND PATTERN RECOMMENDATION PER IPC-7351B GENERIC REQUIREMENT FOR SURFACE MOUNT DESIGN AND LAND PATTERN.

Package Revision History		
Date Created	Rev No.	Description
Sept 13, 2018	Rev 01	Change QFN to VFQFPN
Mar 30, 2016	Rev 00	Initial Release