

P	LTR	DESCRIPTION	DATE	DWN	APVD
	D1	REVISED PER ECR-20-013532	23SEP2020	ED	RS

NOTES:

1 SINGLE PACKING: ONE CONNECTOR PER LABELED BAG PACKAGED. LABELED PER TEC-107-115

2 TRAY PACKAGED

3 Au PLATING

4 ELECTRICAL CHARACTERISTICS

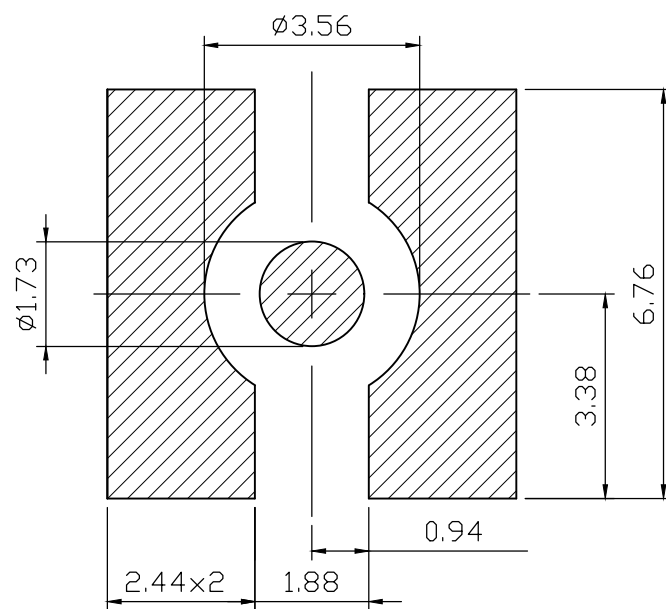
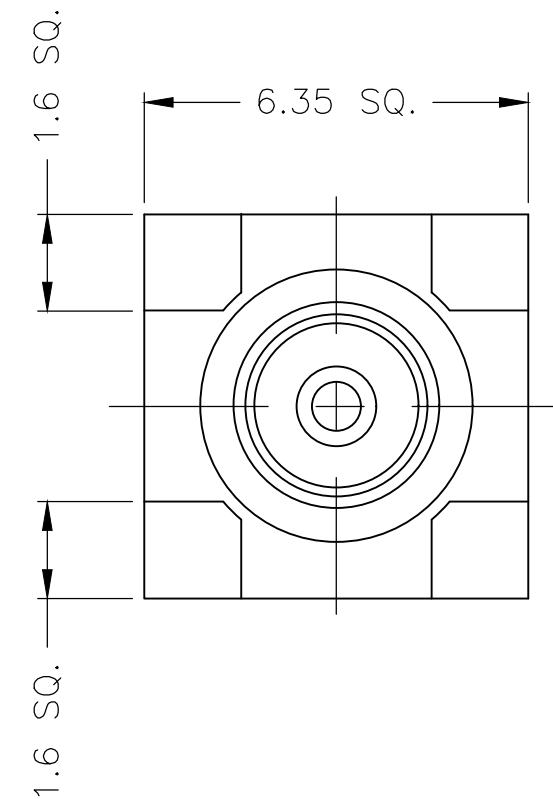
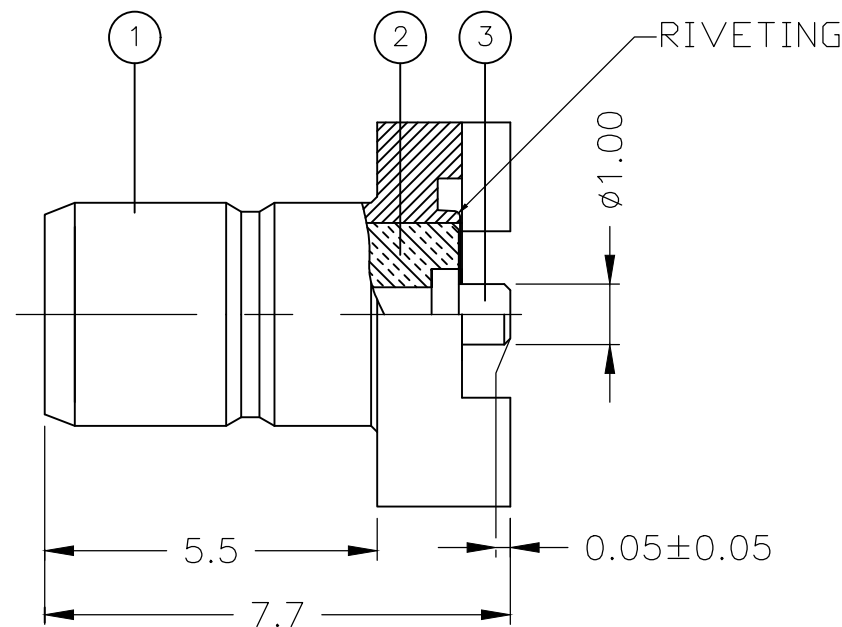
FREQUENCY RANGE: DC - 4 GHz
 NOMINAL IMPEDANCE: 50 Ohm
 INSULATION RESISTANCE: 1000 MOhm
 WORKING VOLTAGE: 250 Volts RMS at Sea Level
 DIELECTRIC WITHSTAND VOLTAGE: 750 Volts RMS Max
 CONTACT RESISTANCE:
 CENTRE CONTACT: 6.00 mOhm Max
 OUTER CONTACT: 1.00 mOhm Max

5 MECHANICAL CHARACTERISTICS

DURABILITY: 500 Cycles Min

6 ENVIRONMENTAL CHARACTERISTICS

OPERATING TEMPERATURE: -65°C to +165°C



RECOMMENDED PCB LAYOUT

QTY	QTY PER ASSY	MATERIAL	DESCRIPTION	ITEM
1	1	BRASS	CONTACT	3
1	1	PTFE	INSULATION	2
1	1	BRASS	BODY	1
6--0	1--0	MATERIAL	DESCRIPTION	ITEM

THIS DRAWING IS A CONTROLLED DOCUMENT.		DWN	J.SANDWELL	13FEB06	STE TE Connectivity
		CHK	S.PARLOW	13FEB06	
		APVD	F.WHEELER-KING	13FEB06	
		PRODUCT SPEC			
DIMENSIONS: mm		TOLERANCES UNLESS OTHERWISE SPECIFIED:		NAME	
		0 PLC	± -	SMB SURFACE MOUNT STRAIGHT PCB SOCKET 50 OHM	
		1 PLC	± 0.2		
		2 PLC	± 0.1		
		3 PLC	± -		
		4 PLC	± -	SIZE	
		ANGLES	± -	CAGE CODE	
		FINISH	-	DRAWING NO	
MATERIAL		SEE TABLE		RESTRICTED TO	
				-	
				WEIGHT	
				0.000000	
				CUSTOMER DRAWING	
				SCALE	
				NTS	
				SHEET	
				1 OF 1	
				REV	
				D1	