

Accessories Miniature Relay PT

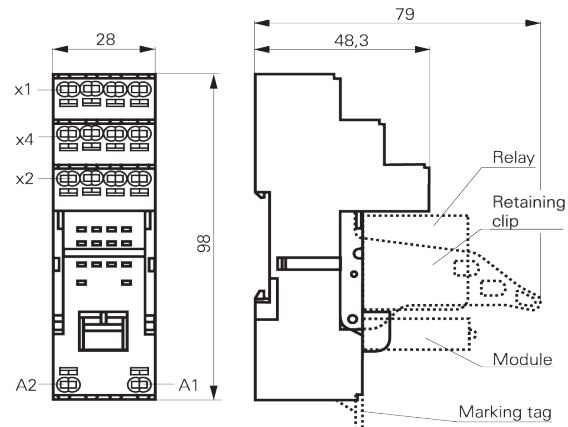
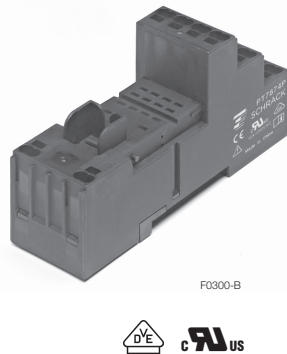
- Easy replacement of relays on a densely packed DIN rail
- No reduction of protection class or creepage/clearance with plastic retainer
- Plug-in indicator- and protection modules
- Retainer clip with ejection function for relays of 29 mm height



Premium socket with screwless terminals for DIN rail mounting

PT 78 74P Premium socket, logical terminal arrangement, 4 pole
PT 78 72P Premium socket, logical terminal arrangement, 2 pole

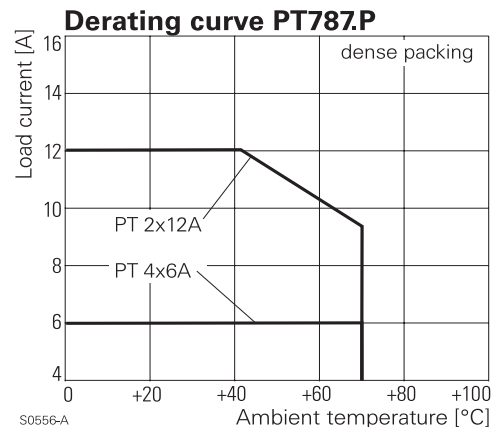
- PT 2/4 pole 12/6 A
- Screwless Clamps
- Mounting of solid wires without tool
- Double Clamps per terminal
- Jumper links for interconnection
- Logical terminal arrangement



S0546-AE

Approvals
 VDE Cert. No. 40009108, cULus E135149

| Technical data | 2-pole | 4-pole |
|---|-----------------------|-----------------------|
| Rated voltage/Max. switching voltage AC | 240/400VAC | 240 VAC |
| Rated current | 12 A | 6 A |
| Limiting continuous current | see derating curve | |
| Dielectric strength | | |
| coil contact circuit | 2500 V _{rms} | 2500 V _{rms} |
| open contact circuit | 1200 V _{rms} | 1200 V _{rms} |
| adjacent contact circuits | 2500 V _{rms} | 2000 V _{rms} |
| Clearance / creepage | | |
| coil contact circuit | ≥ 4/4 mm | ≥ 4/4 mm |
| adjacent contact circuits | ≥ 3.5/9.5 mm | ≥ 1.8/3.5 mm |
| Material group of insulation parts | IIIa | |
| Flammability class UL 94 | V-0 | |
| Insulation to IEC 60664-1 | | |
| Type of insulation coil-contact circuit | basic | |
| open contact circuit | functional | |
| adjacent contact circuits | basic | |
| Rated insulation voltage | 250 V | |
| Pollution degree | 2 ¹⁾ | |
| Rated voltage system | 230 / 400 V | |
| Overvoltage category | III | |



S0556-A

1) with inserted relay pollution degree 1 in region of contact pins / socket inlets.

Accessories Miniature Relay PT (Continued)

Technical data (continued)

Material compliance: EU RoHS/ELV, China RoHS, REACH, Halogen content refer to the Product Compliance Support Center at www.te.com/customersupport/rohssupportcenter

| | 2-pole | 4-pole |
|---|-----------------------------|-------------------------|
| Ambient temperature range for mounting/handling | -25...+70°C | -25...+70°C |
| in operation | -40...+70°C | -40...+70°C |
| Terminals | screwless | |
| Wire strip length | 12 mm | |
| Wire cross section solid wire | 1x0.75/1/1.5mm ² | 2x0.75/1mm ² |
| with stand. isolation (no oversize isolation) | 2x1.5mm ² | |
| stranded wire without bootlace crimp | 1x0.75/1/1.5mm ² | 2x0.75/1mm ² |
| without bootlace crimp with stand. isolation | 2x1.5mm ² | |
| with bootlace crimp | 1x0.75/1mm ² | 2x0.75mm ² |
| with bootlace crimp without isolation or min 18 mm long | 1x1.5mm ² | |

For stranded wires with braids 0.05 mm or smaller the use of bootlace crimps is recommended. When using stranded wires without bootlace crimp the clamp must be opened during insertion.

| | | |
|----------------------------|--------------------|------|
| Insertion cycles | A (10) | |
| Max. Insertion Force total | 100 N | |
| Mounting distance | ≥ 0, dense packing | |
| Weight | 44 g | 60 g |
| Packaging unit | 10 pcs | |

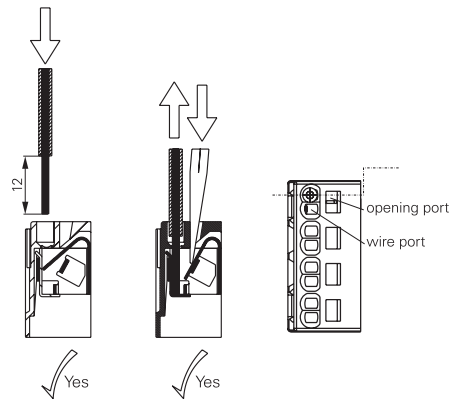
Socket with screwless terminals for DIN rail mounting

| Type | Part Number |
|--|-------------|
| PT 7872P Premium socket, logical terminal arrangement Socket with screwless terminals 2 pole | 1860100-1 |
| PT 7874P Premium socket, logical terminal arrangement Socket with screwless terminals 4 pole | 1860000-1 |

Accessories for PT 78 72P, PT 78 74P

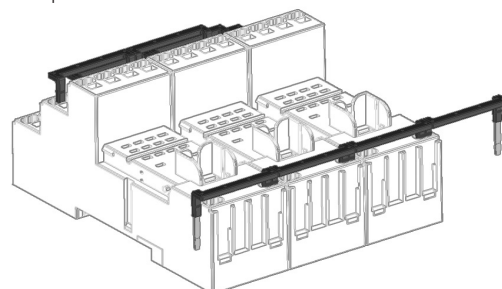
| Type | Part Number |
|--|-------------|
| PT 17 021 Plastic retaining clip, relay height 29 mm | 2-1415526-1 |
| PT 28 800 Metal retaining clip PT, relay height 29 mm | 5-1419111-9 |
| PT 17 040 Marking tag | 6-1415037-1 |
| PT 17 0P1 Jumper link, max load 12 A | 1860214-1 |

How to use, Precautions



S0553-A

Jumper link



F0295-A

When connecting more than 2 poles with staggered jumper bars the lower bars need to be stripped and shortened to an appropriate length to enable correct fitting.

Accessories Miniature Relay PT (Continued)

**DIN-rail socket with screw type terminals
PT78722/PT78742**

- Socket with logical arrangement of control/load terminals
- High quality rising clamp terminals
- Captive combination terminal screws
- Second A2 for easier looping
- Jumper bars for interconnection



F0264-C



S0489-CA

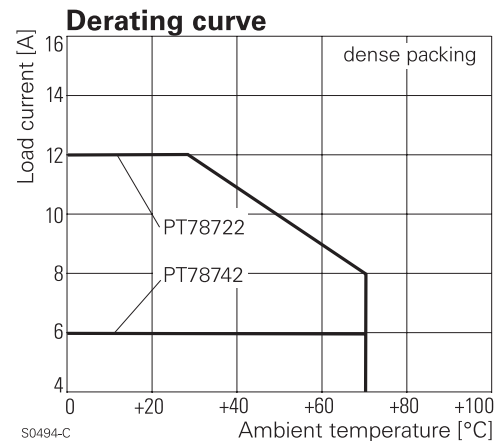
Approvals

VDE Cert. No. 40009108, cULus E135149

| Technical data | 2-pole | 4-pole |
|---|-----------------------|-----------------------|
| Rated voltage/Max. switching voltage AC | 240/400VAC | 240 VAC |
| Rated current | 12 A | 6 A |
| Limiting continuous current | see derating curve | |
| Dielectric strength | | |
| coil contact circuit | 2500 V _{rms} | 2500 V _{rms} |
| open contact circuit | 1200 V _{rms} | 1200 V _{rms} |
| adjacent contact circuits | 2500 V _{rms} | 2000 V _{rms} |
| Clearance / creepage | | |
| coil contact circuit | ≥ 4/4 mm | ≥ 4/4 mm |
| adjacent contact circuits | ≥ 3.5/9.5 mm | ≥ 1.8/3.5 mm |
| Material group of insulation parts | IIIa | |
| Flammability class UL 94 | V-0 | |
| Insulation to IEC 60664-1 | | |
| Type of insulation coil-contact circuit | basic | |
| open contact circuit | functional | |
| adjacent contact circuits | basic | |
| Rated insulation voltage | 250 V | |
| Pollution degree | 2 ¹⁾ | |
| Rated voltage system | 230 / 400 V | |
| Overvoltage category | III | |

Material compliance: EU RoHS/ELV, China RoHS, REACH, Halogen content refer to the Product Compliance Support Center at www.te.com/customersupport/rohssupportcenter

| | |
|---------------------------------------|-------------------------|
| Ambient temperature range | -40...+70°C |
| Terminals | screw |
| Terminals screw torque acc. IEC 61984 | 0.5 Nm |
| max. | 0.7 Nm |
| Terminal Screw size | M3 |
| Wire strip length | 8 mm |
| Wire cross section | |
| single wire | 2 x 2.5 mm ² |
| fine wire | 2 x 2.5 mm ² |
| with bootlace crimp (DIN 46228/1) | 2 x 1.5 mm ² |
| Insertion cycles | A (10) |
| Max. Insertion Force total | 100 N |
| Mounting distance | ≥ 0, dense packing |
| Weight | 44 g 60 g |



S0494-C

1) with inserted relay pollution degree 1 in region of contact pin/socket inlets

Accessories Miniature Relay PT (Continued)

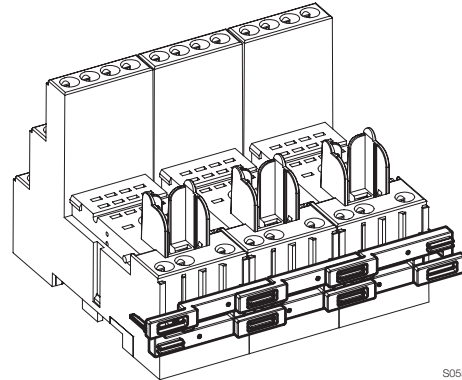
DIN-rail socket with screw type terminals, In/Out arrangement

| Type | Part Number |
|---|-------------|
| PT 78 722 DIN-rail socket with screw type terminals, In/Out arrangement 2 pole | 1415526-1 |
| PT 78 742 DIN-rail socket with screw type terminals, In/Out arrangement 4 pole | 1-1415526-1 |

Accessories for PT 78 722, PT 78 742

| Type | Part Number |
|--|-------------|
| PT 17 021 Plastic retaining clip, relay height 29 mm | 2-1415526-1 |
| PT 28 800 Metal retaining clip PT, relay height 29 mm | 5-1419111-9 |
| PT 17 040 Marking tag | 6-1415037-1 |
| PT 17 0R6 Jumper bar, max load 12A for connection of up to 6 PT sockets | 1860517-5 |

Jumper bar



S0559-AP

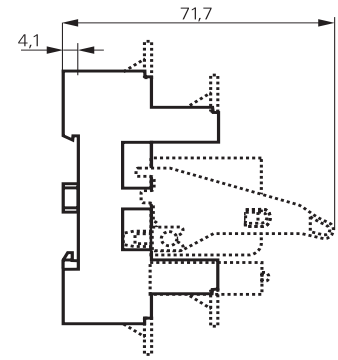
PT DIN-rail socket with screw type terminals PT78720/730/740/741



F0234-C



S0427-DB



S0427-CF

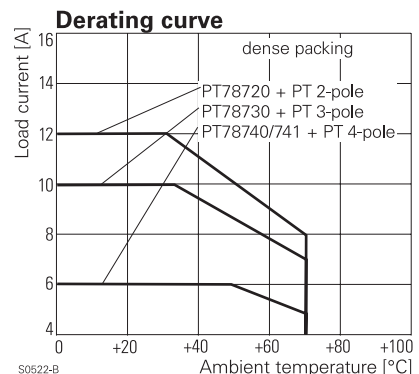
Approvals

VDE Cert. No. 40009108, cULus E135149

| Technical data | 2-pole | 3-pole | 4-pole |
|---|-----------------------|-----------------------|-----------------------|
| Rated voltage/Max. switching voltage AC | 240/400VAC | | |
| Rated current | 12 A | 10 A | 6 A |
| Limiting continuous current | see derating curve | | |
| Dielectric strength | | | |
| coil-contact circuit | 2500 V _{rms} | 2500 V _{rms} | 2500 V _{rms} |
| open contact circuit | 1200 V _{rms} | 1200 V _{rms} | 1200 V _{rms} |
| adjacent contact circuits | 2500 V _{rms} | 2500 V _{rms} | 2000 V _{rms} |
| Clearance / creepage | | | |
| coil-contact circuit | ≥ 4/4 mm | ≥ 4/4 mm | ≥ 4/4 mm |
| adjacent contact circuits | ≥3.5/9.5mm | ≥2.6/3.5mm | ≥1.8/3.5mm |
| Material group of insulation parts | IIIa | | |
| Flammability class UL 94 | V-0 | | |
| Insulation to IEC 60664-1 | | | |
| Type of insulation | | | |
| coil-contact circuit | basic | basic | basic |
| open contact circuit | functional | functional | functional |
| adjacent contact circuits | basic | basic | functional |
| Rated insulation voltage | 250 V | | |
| Pollution degree | 2 | | |
| Rated voltage system | 230 / 400 V | | |
| Overvoltage category | III | | |

Material compliance: EU RoHS/ELV, China RoHS, REACH, Halogen content refer to the Product Compliance Support Center at www.te.com/customer-support/rohssupportcenter

Ambient temperature range -40...+70°C



S0522-B

Accessories Miniature Relay PT (Continued)

| Technical data (continued) | 2-pole | 3-pole | 4-pole |
|--------------------------------------|--------|-------------------------|--------|
| Terminals | | screw | |
| Terminal screw torque acc. IEC 61984 | | 0.5 Nm | |
| max. | | 0.7 Nm | |
| Terminal Screw size | | M3 | |
| Wire strip length | | 8 mm | |
| Wire cross section | | | |
| single wire | | 2 x 2.5 mm ² | |
| fine wire | | 2 x 2.5 mm ² | |
| with bootlace crimp (DIN 46228/1) | | 2 x 1.5 mm ² | |
| Insertion cycles | | A (10) | |
| Max. Insertion Force total | | 100 N | |
| Mounting distance | | ≥ 0, dense packing | |
| Weight | 41 g | 48 g | 55 g |
| Packaging unit | | 10 pcs | |

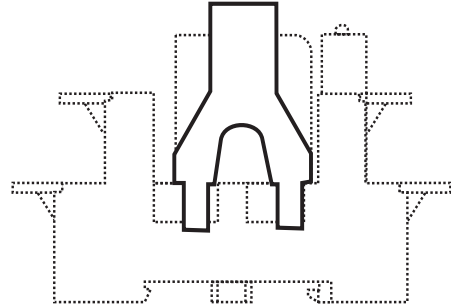
DIN-rail socket with screw type terminals

| Type | Part Number |
|---|-------------|
| PT 78 720 DIN-rail socket with screw type terminals, 2 pole | 6-1415034-1 |
| PT 78 730 DIN-rail socket with screw type terminals, 3 pole | 9-1415071-1 |
| PT 78 740 DIN-rail socket with screw type terminals, 4 pole | 4-1415033-1 |
| PT 78 741 DIN-rail socket with screw type terminals, 4 pole, package with protection diode module A1+, A2- | 5-1415034-1 |

Accessories for PT 78 720, PT 78 730, PT 78 740, PT 78 741

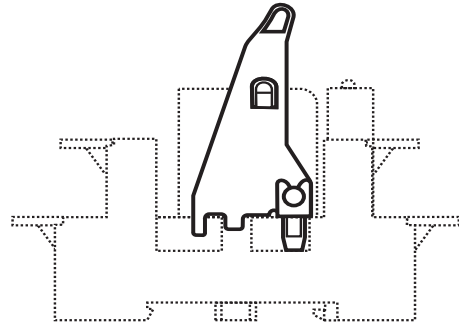
| Type | Part Number |
|--|-------------|
| PT 17 016 Plastic retaining clip PT, relay height 29 mm | 5-1415037-1 |
| PT 17 024 Plastic retaining clip PT with ejecting func., relay height 29 mm | 1816124-1 |
| PT 28 800 Metal retaining clip PT, relay height 29 mm | 5-1419111-9 |
| PT 17 040 Marking tag | 6-1415037-1 |
| PT 17 0R6 Jumper bar, max load 12A | |

PT17 016



S0427-CH

PT17 024



S0427-CI

Marking tags

- White marking area 28 x 6 mm
- Snaps on socket in up to 4 positions

Accessories Miniature Relay PT (Continued)

LED- and Protection Modules for PT 78 72P, PT 78 74P, PT 78 722, PT 78 742, PT 78 720, PT 78 730, PT 78 740

Easy insertion of module into the socket
Wiring in parallel to the coil

| Type | | | Part Number |
|-------------------|------|--|-------------|
| PTM TO 0A0 | EM09 | Protection diode (standard, A1+,A2-) | 9-1415036-1 |
| PTM TO 0L0 | EM01 | Protection diode (A1-, A2+) | 1415037-1 |
| PTM UO 524 | EM02 | RC-network 6...60 VAC | 1-1415037-1 |
| PTM UO 730 | EM03 | RC-network 110...230 VAC | 2-1415037-1 |
| PTM VO 524 | EM04 | Varistor 24 VAC | 3-1415037-1 |
| PTM VO 615 | EM13 | Varistor 115 VAC | 6-1415365-1 |
| PTM VO 730 | EM05 | Varistor 230 VAC | 4-1415037-1 |
| PTM DO 730 | EM31 | Residual current bypass RC 110...230 VAC | 1415037-2 |
| PTM RO 730 | EM29 | Residual current bypass resistor 110...230 VAC | 1-1415539-2 |



LED

| | | | |
|-------------------|------|--|-------------|
| PTM LO 024 | EM18 | red LED 6...24 VDC w. prot. diode (std, A1+, A2-) | 5-1415036-1 |
| PTM GO 024 | EM12 | green LED 6...24 VDC w. prot. diode (std, A1+, A2-) | 2-1415036-1 |
| PTM L1 024 | EM08 | red LED 6...24 VDC w. prot. diode (A1-, A2+) | 8-1415036-1 |
| PTM LO 060 | EM16 | red LED 24...60 VDC w. prot. diode (std, A1+, A2-) | 5-1415539-3 |
| PTM GO 060 | EM25 | green LED 24...60 VDC w. prot. diode (std, A1+, A2-) | 7-1415539-7 |
| PTM LO 110 | EM19 | red LED 60...110 VDC w. prot. diode (A1+, A2-) | 2-1415392-1 |
| PTM GO 110 | EM26 | green LED 60...110 VDC w. prot. diode (A1+, A2-) | 1-1415539-7 |
| PTM LO 220 | EM27 | red LED 110...220 VDC w. prot. diode (A1+, A2-) | 1-1415539-4 |
| PTM GO 220 | EM28 | green LED 110...220 VDC w. prot. diode (A1+, A2-) | 1-1415539-6 |
| PTM LO 524 | EM07 | red LED 6...24 VDC/VAC | 6-1415036-1 |
| PTM GO 524 | EM11 | green LED 6...24 VDC/VAC | 3-1415036-1 |
| PTM LO 560 | EM14 | red LED 24...60 VDC/VAC | 1-1415539-3 |
| PTM GO 560 | EM30 | green LED 24...60 VDC/VAC | 1-1415539-5 |
| PTM LO 730 | EM06 | red LED 110...230 VAC | 7-1415036-1 |
| PTM GO 730 | EM10 | green LED 110...230 VAC | 4-1415036-1 |

Relay Packages

Complete packages consisting of a relay mounted on a socket: see Relay Package PT