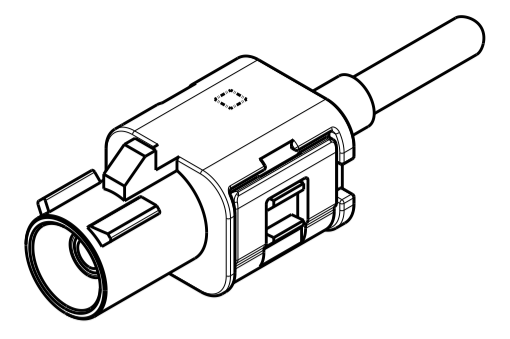
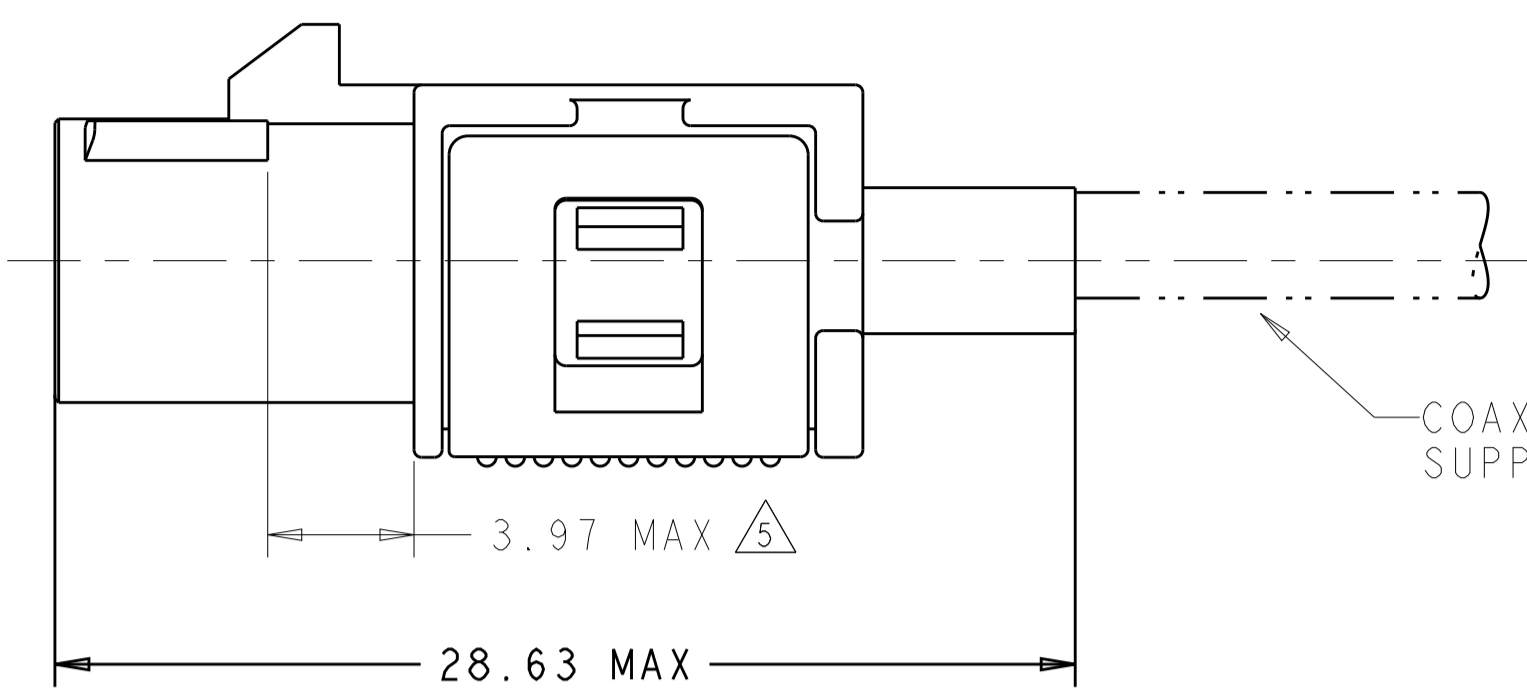
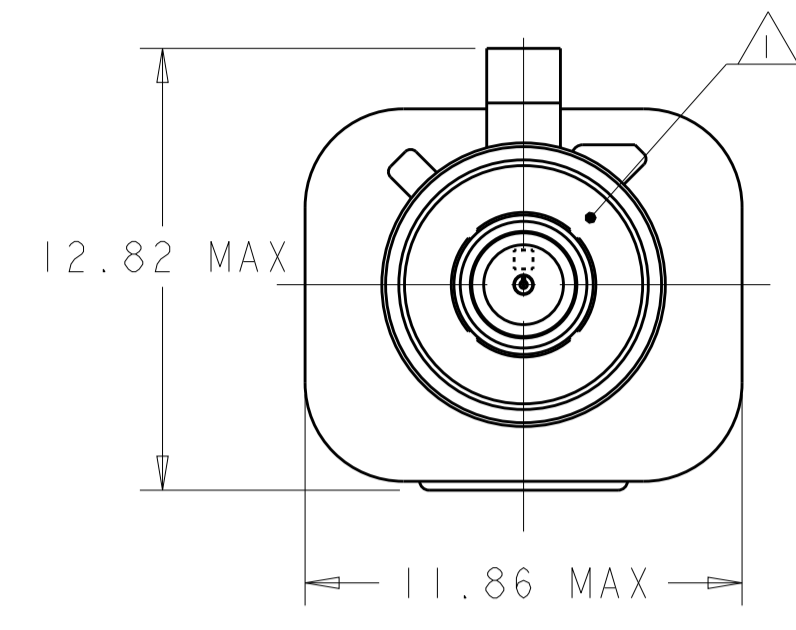


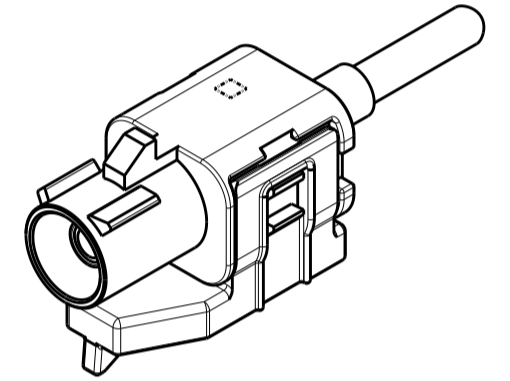
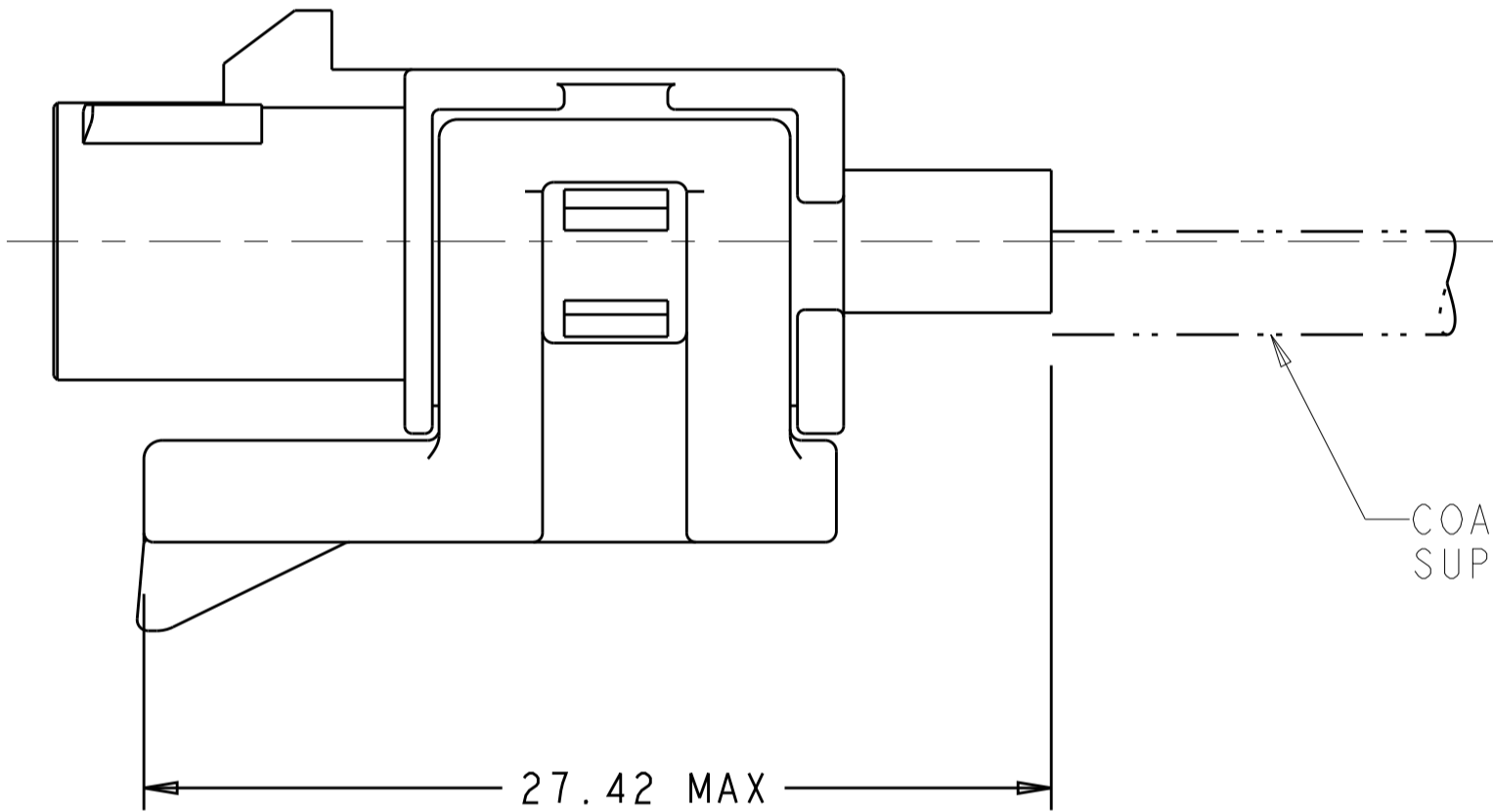
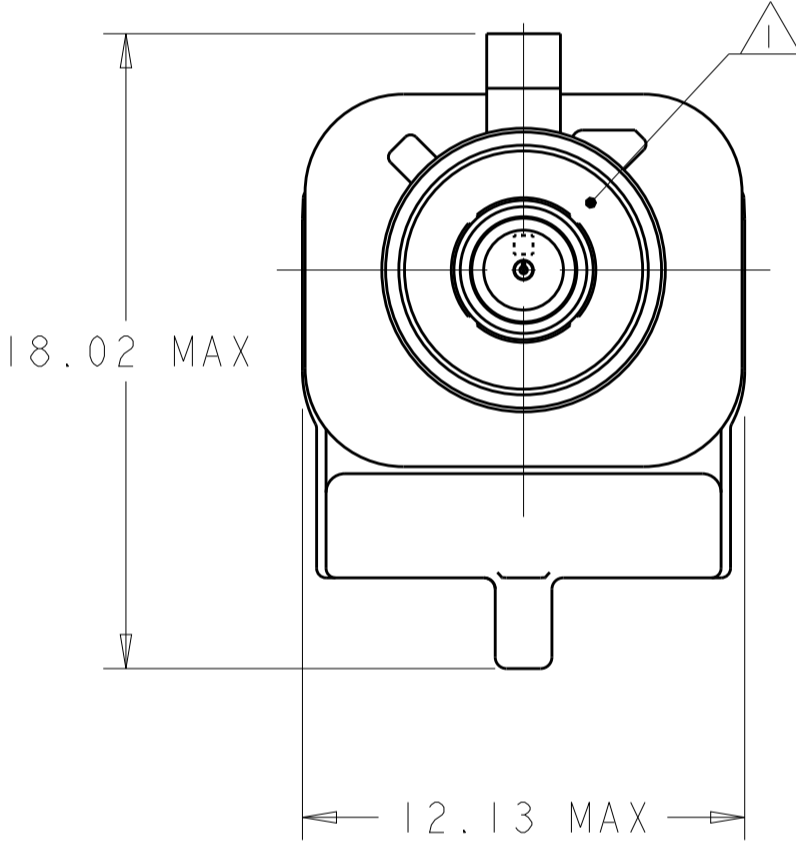
REVISIONS					
P.	LTN	DESCRIPTION	DATE	DWN	APVD
E5		REVISED PER ECO-15-009269	25SEP2015	DD	LV
E6		REVISED PER ECO-16-007043	16MAY2016	DD	LV
E7		REVISED PER ECO-19-002003	08FEB2019	CN	AP



ISOMETRIC VIEW
SCALE 2:1

DETAIL X

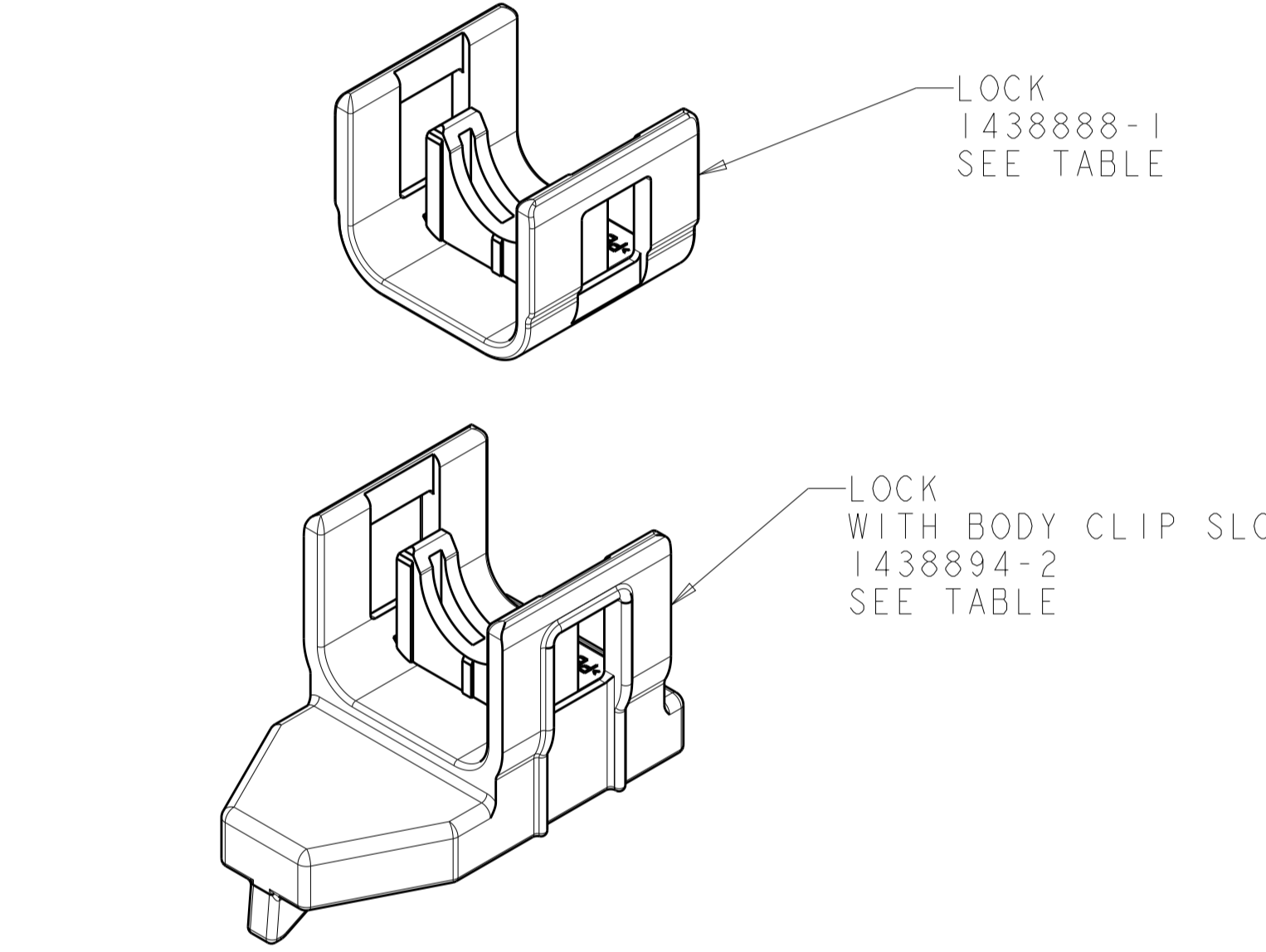
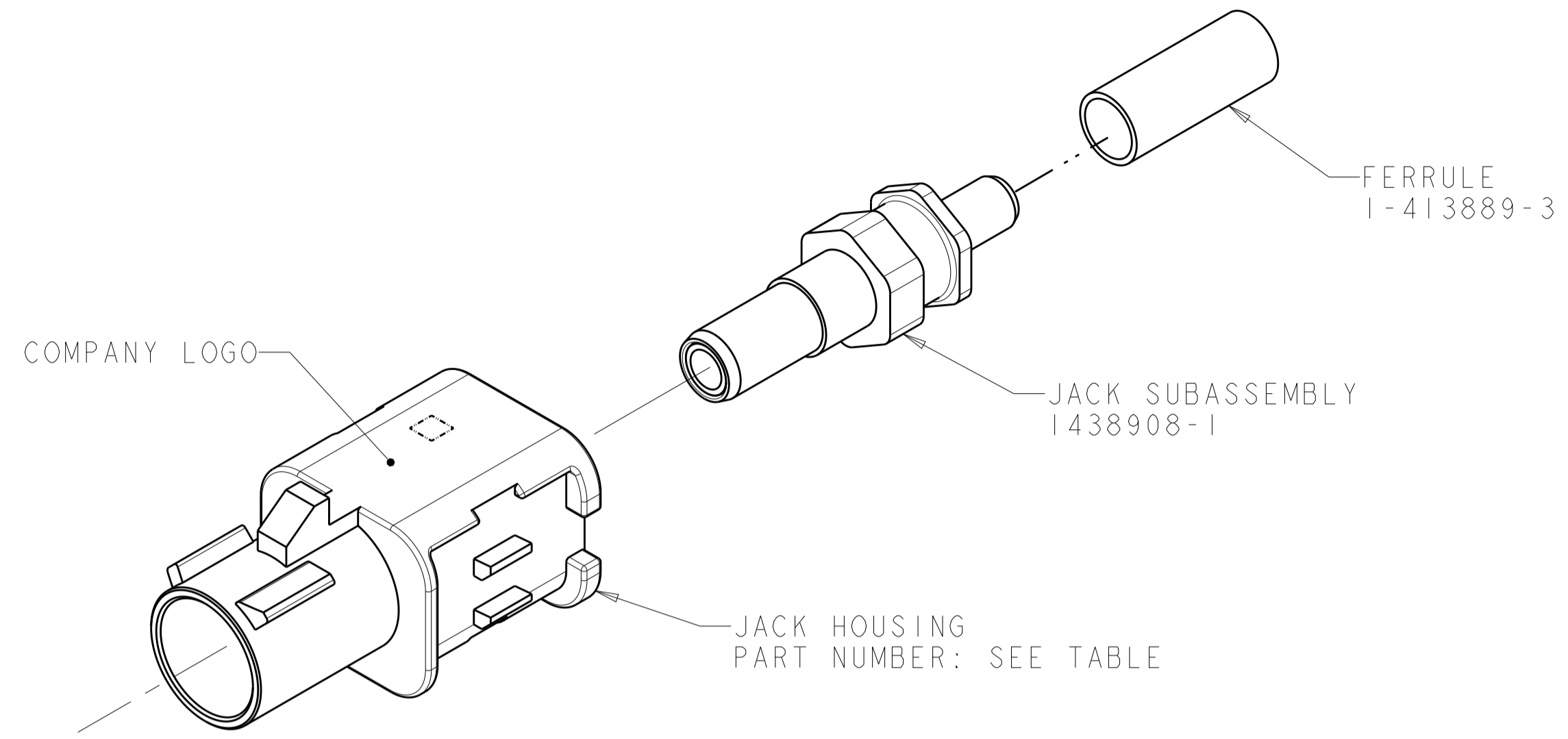
COAX CABLE
SUPPLIED BY CUSTOMER



ISOMETRIC VIEW
SCALE 2:1

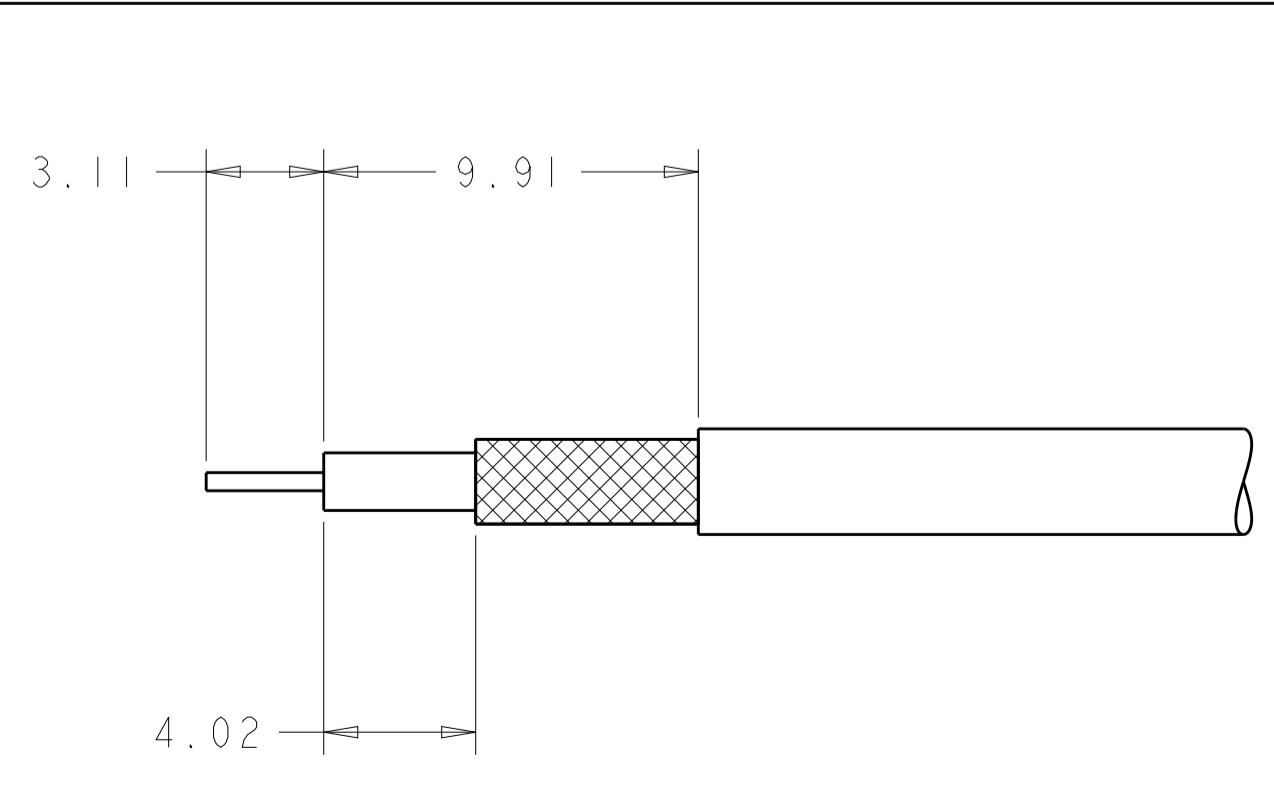
DETAIL Y

COAX CABLE
SUPPLIED BY CUSTOMER



PER DETAIL Y	PER DETAIL M	M	GRAY	1438894-2	PASTEL ORANGE	1-1438887-2	6-1438912-2
PER DETAIL Y	PER DETAIL K	K	GRAY	1438894-2	CURRY	1-1438887-0	6-1438912-0
PER DETAIL Y	PER DETAIL I	I	GRAY	1438894-2	BEIGE	1438887-9	5-1438912-9
PER DETAIL Y	PER DETAIL H	H	GRAY	1438894-2	HEATHER VIOLET	1438887-8	5-1438912-8
PER DETAIL Y	PER DETAIL G	G	GRAY	1438894-2	BLUE GREY	1438887-7	5-1438912-7
PER DETAIL Y	PER DETAIL F	F	GRAY	1438894-2	NUT BROWN	1438887-6	5-1438912-6
PER DETAIL Y	PER DETAIL E	E	GRAY	1438894-2	LEAF GREEN	1438887-5	5-1438912-5
PER DETAIL Y	PER DETAIL D	D	GRAY	1438894-2	CLARET VIOLET	1438887-4	5-1438912-4
PER DETAIL Y	PER DETAIL C	C	GRAY	1438894-2	SIGNAL BLUE	1438887-3	5-1438912-3
PER DETAIL Y	PER DETAIL B	B	GRAY	1438894-2	SIGNAL WHITE	1438887-2	5-1438912-2
PER DETAIL Y	PER DETAIL A	A	GRAY	1438894-2	JET BLACK	1438887-1	5-1438912-1
PER DETAIL X	PER DETAIL M	M	RED	1438888-1	PASTEL ORANGE	1-1438887-0	1-1438912-2
PER DETAIL X	PER DETAIL K	K	RED	1438888-1	CURRY	1-1438887-0	1-1438912-0
PER DETAIL X	PER DETAIL I	I	RED	1438888-1	BEIGE	1438887-9	1438912-9
PER DETAIL X	PER DETAIL H	H	RED	1438888-1	HEATHER VIOLET	1438887-8	1438912-8
PER DETAIL X	PER DETAIL G	G	RED	1438888-1	BLUE GREY	1438887-7	1438912-7
PER DETAIL X	PER DETAIL F	F	RED	1438888-1	NUT BROWN	1438887-6	1438912-6
PER DETAIL X	PER DETAIL E	E	RED	1438888-1	LEAF GREEN	1438887-5	1438912-5
PER DETAIL X	PER DETAIL D	D	RED	1438888-1	CLARET VIOLET	1438887-4	1438912-4
PER DETAIL X	PER DETAIL C	C	RED	1438888-1	SIGNAL BLUE	1438887-3	1438912-3
PER DETAIL X	PER DETAIL B	B	RED	1438888-1	SIGNAL WHITE	1438887-2	1438912-2
PER DETAIL X	PER DETAIL A	A	RED	1438888-1	JET BLACK	1438887-1	1438912-1
ASSEMBLY	KEYING	CODING	LOCK COLOR	LOCK PART NUMBER	HOUSING COLOR	JACK HOUSING PART NUMBER	PART NUMBER

1. JACK INTERFACE PER DIN 72594-1, ROAD VEHICLES - RADIO FREQUENCY INTERFACE - DIMENSIONS AND ELECTRICAL REQUIREMENTS.
2. JACK SUBASSEMBLY WILL ACCEPT RG-316, RG-174 OR RG-174 LOW LOSS COAXIAL CABLE.
3. SEE INSTRUCTION SHEET 408-10028.
4. PIN CONTACT 1438890-8 MUST BE PURCHASED SEPARATELY.
5. DIMENSION APPLIES TO ALL CODING RIBS.
6. SUBASSY 1924938-1 (EXTENDED DIELECTRIC) IS ALLOWED AS AN ALTERNATE TO SUBASSY 1438908-1



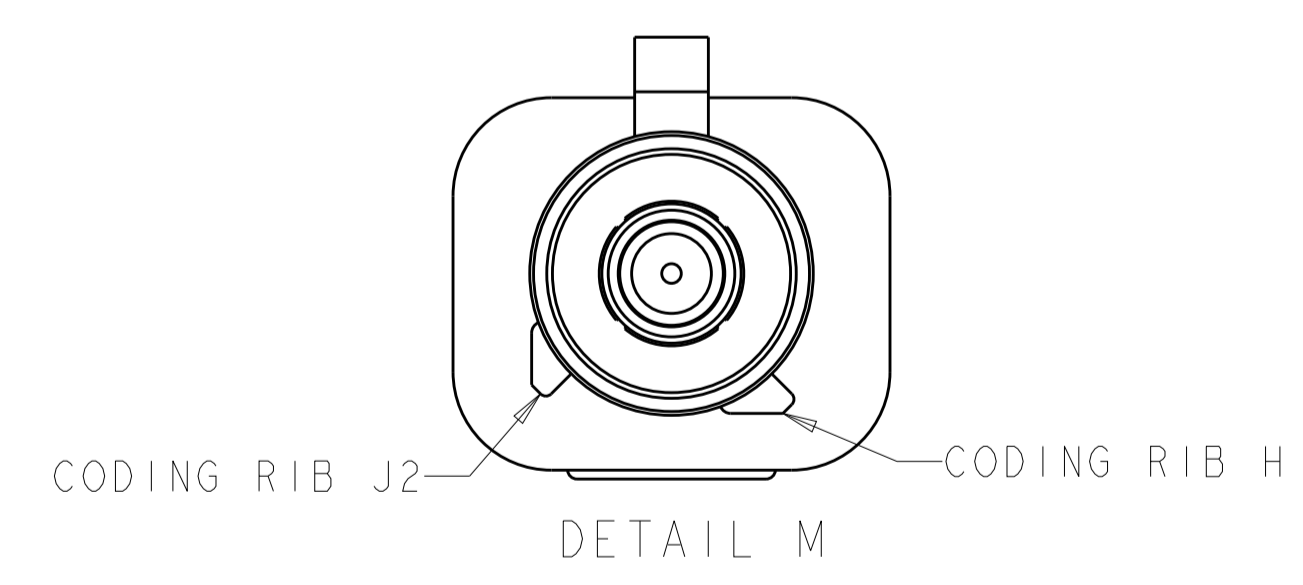
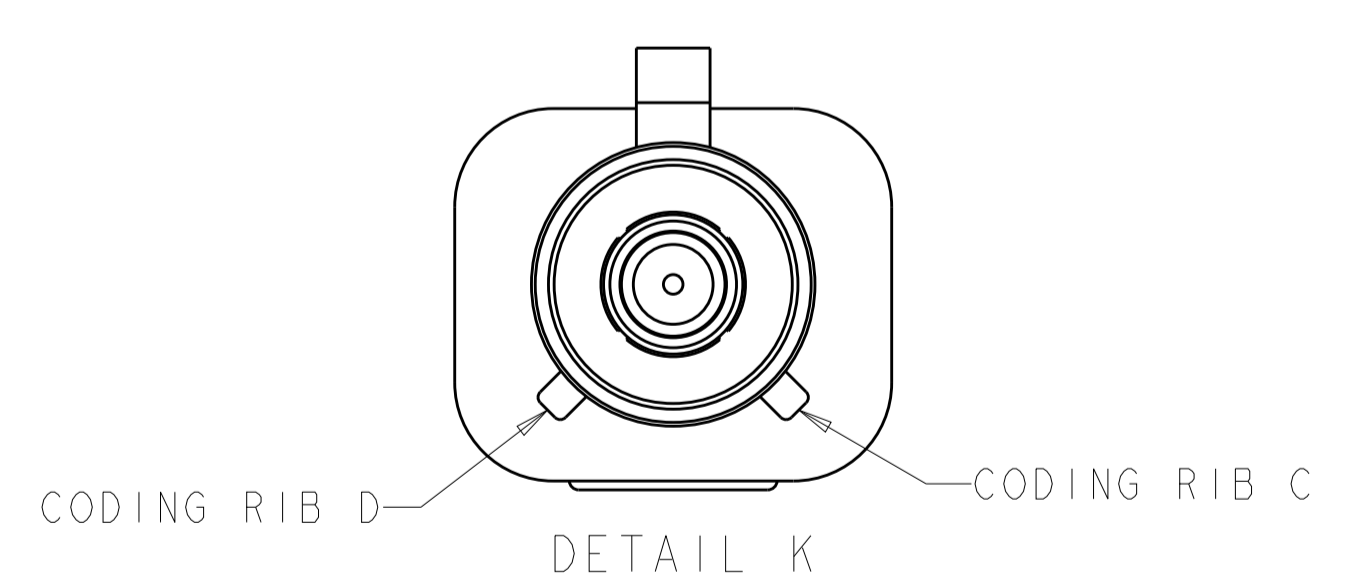
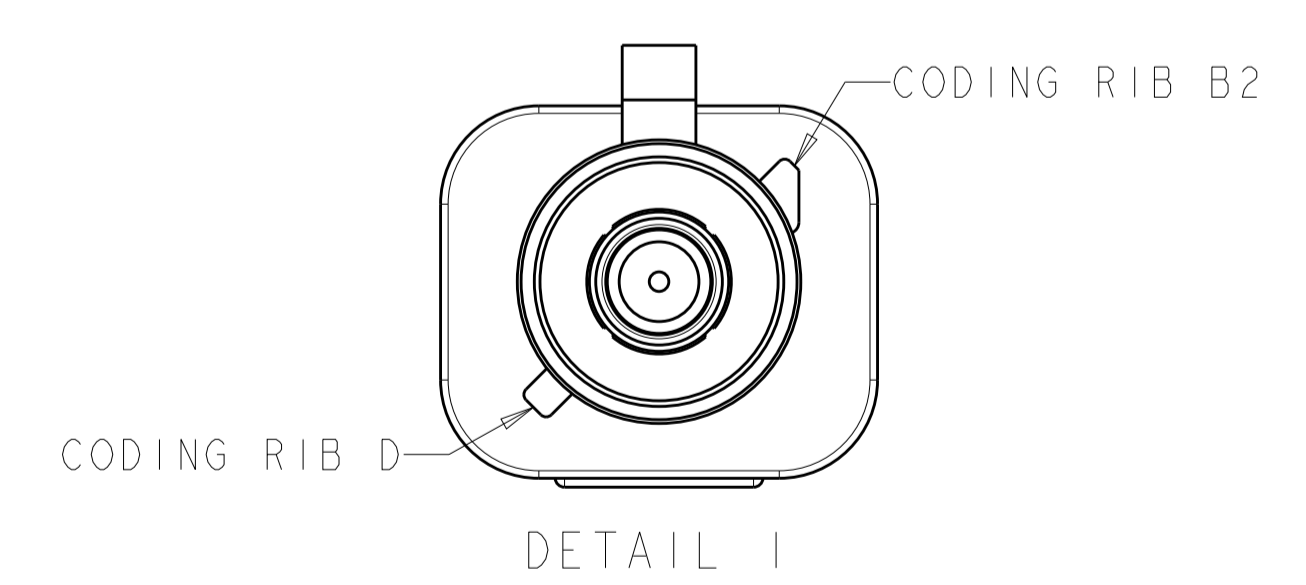
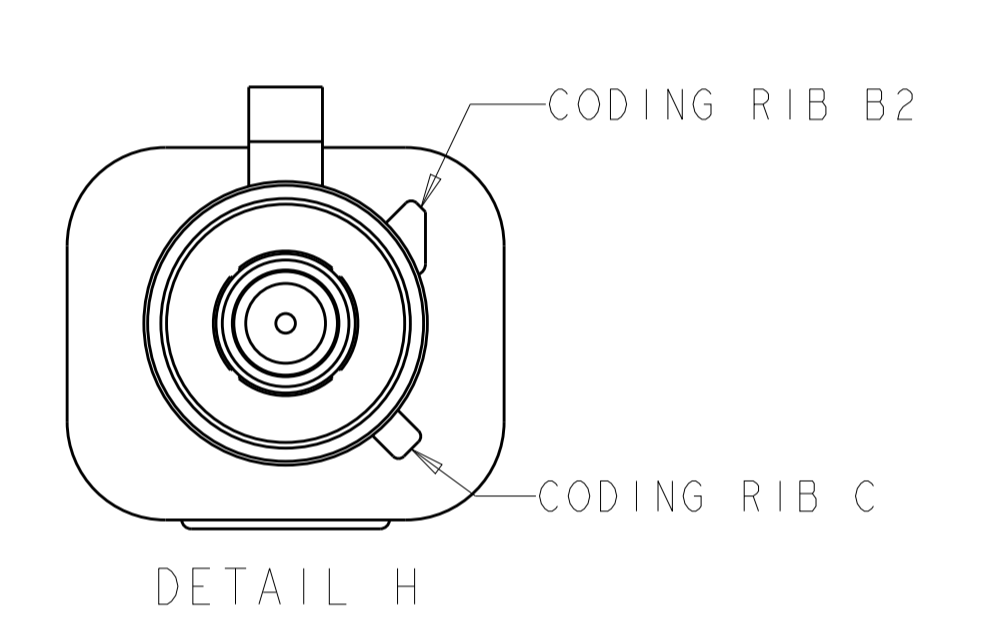
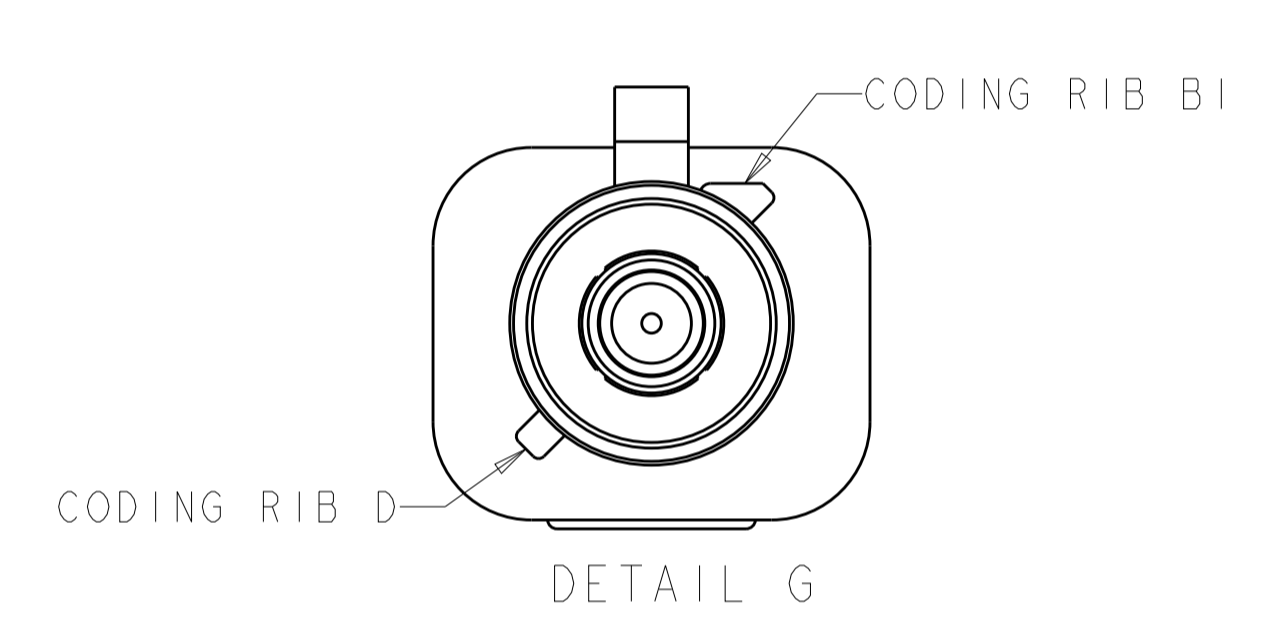
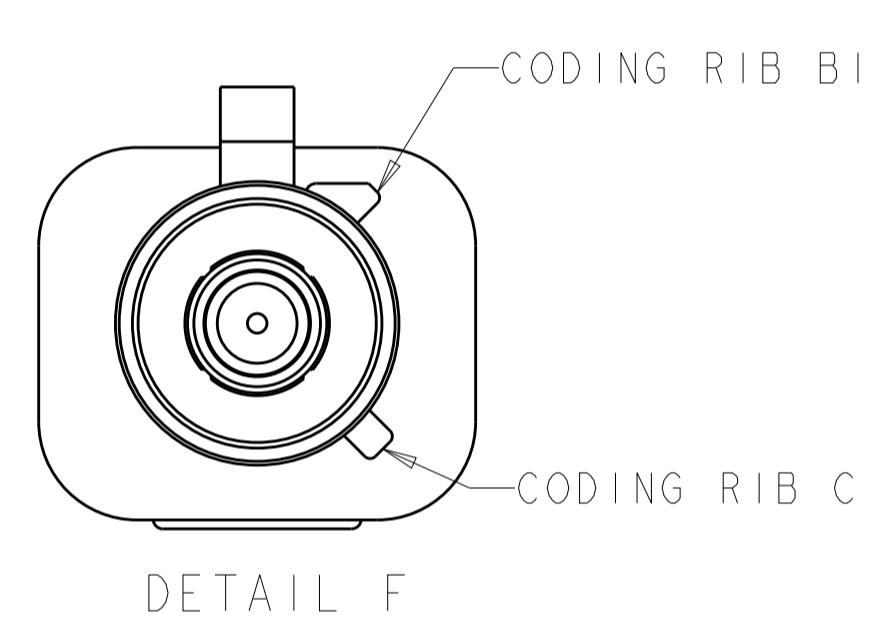
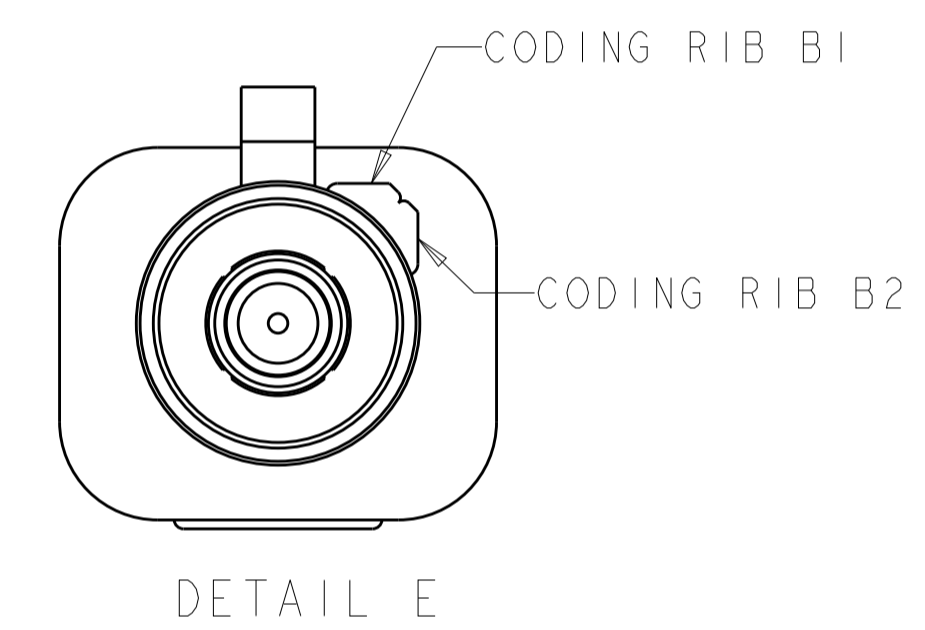
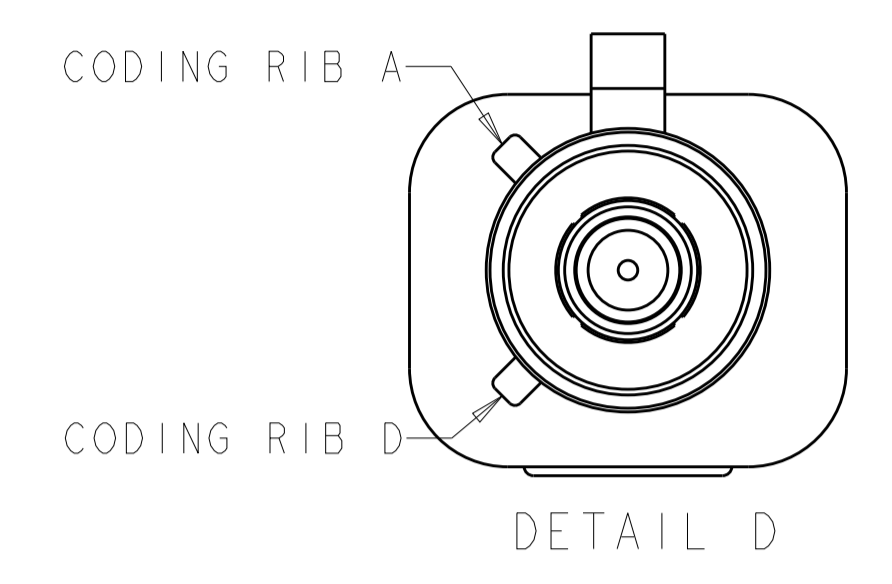
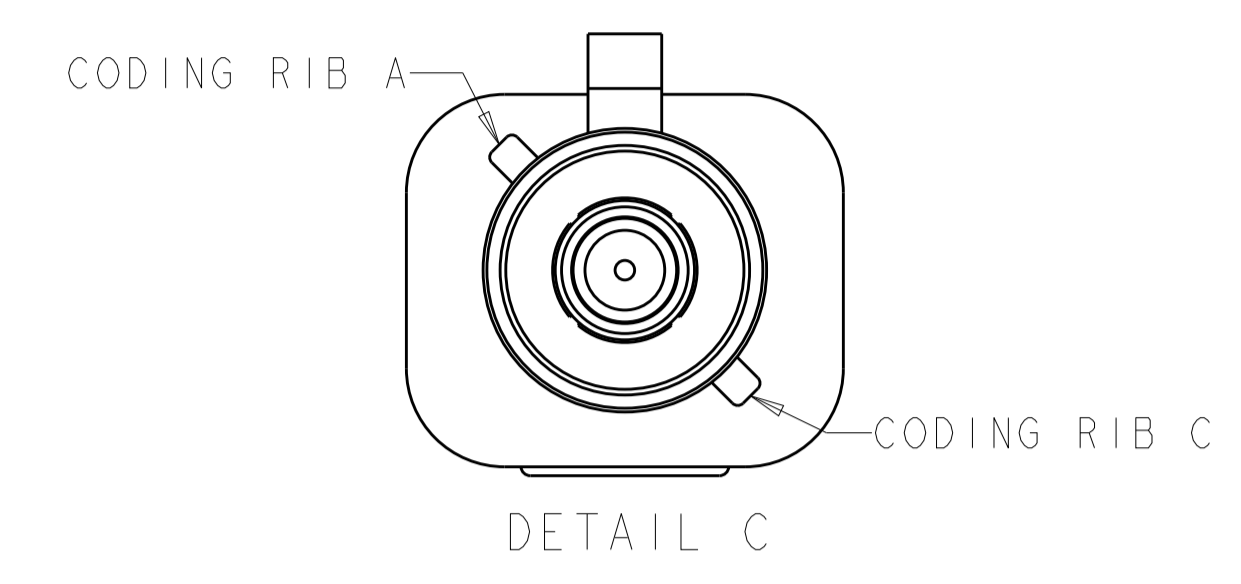
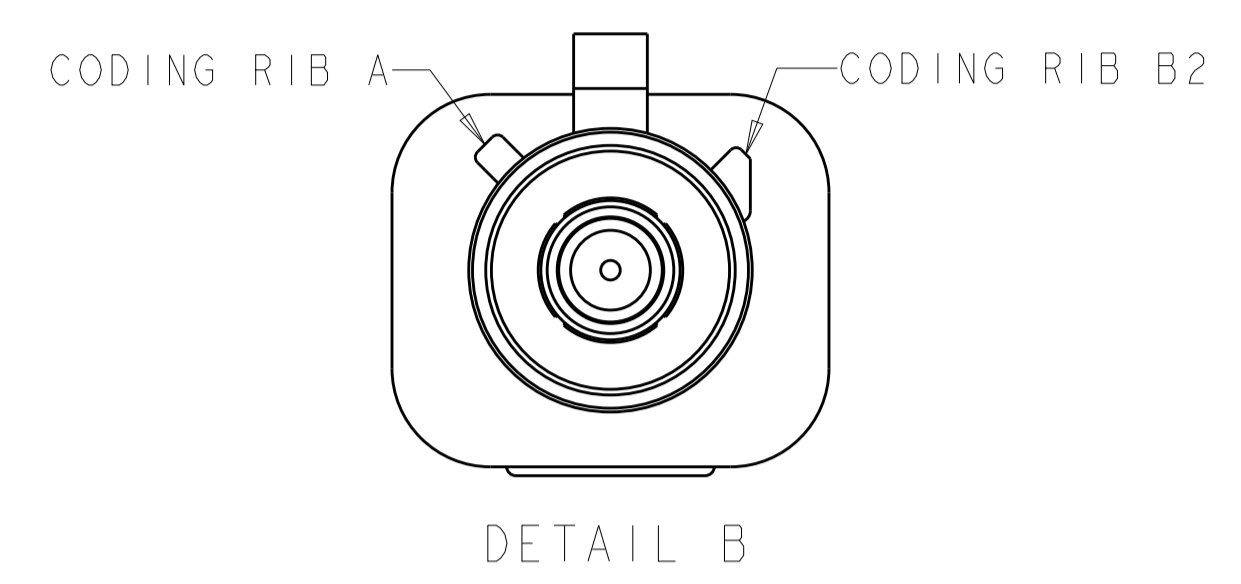
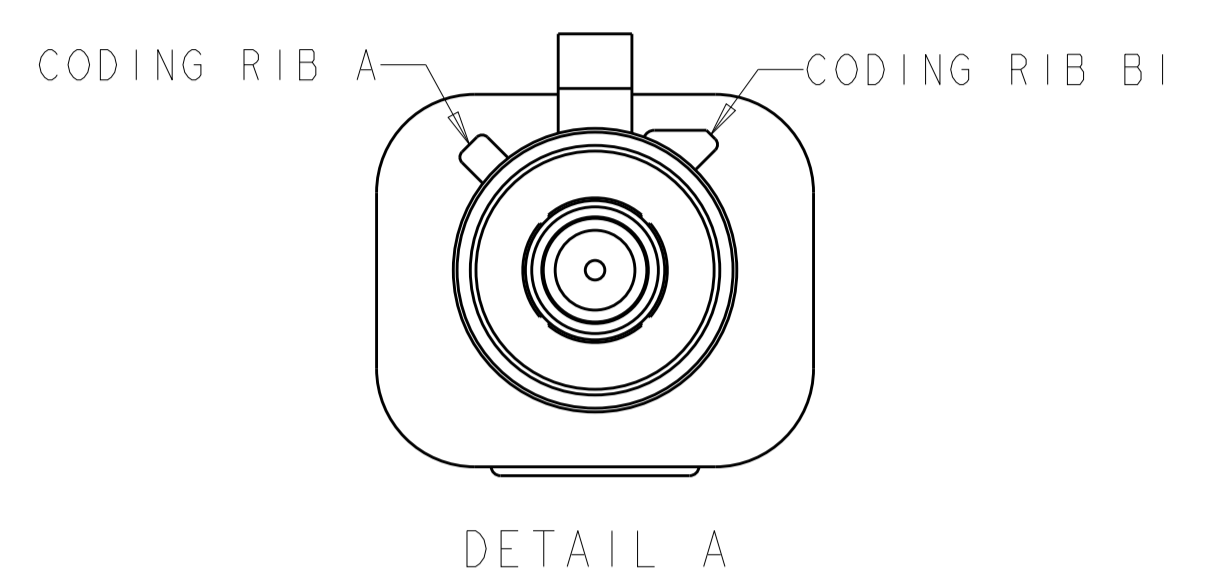
RECOMMENDED STRIP LENGTH DIMENSIONS
SCALE: NTS

THIS DRAWING IS A CONTROLLED DOCUMENT. DWN: J. HARDY 03JAN2005
 CHK: J. W. HALL 26JAN2005
 DIMENSIONS: mm TOLERANCES UNLESS OTHERWISE SPECIFIED: 0 PLC ±, 1 PLC ±0.25, 2 PLC ±, 3 PLC ±, 4 PLC ±, ANGLES ±, FINISH ±

STE TE Connectivity

NAME: JACK KIT, UNASSEMBLED, 1 POSITION, RG-316 OR RG-174, FAKRA, SMB
 SIZE: 114-13157 CAGE CODE: 1438912 DRAWING NO: 114-13157
 WEIGHT: CUSTOMER DRAWING SCALE: 5:1 SHEET 1 OF 2 REV: E7

REVISIONS				
P.	LTN	DESCRIPTION	DATE	APVD
-	-	SEE SHEET 1	-	-



THIS DRAWING IS A CONTROLLED DOCUMENT.		OWN: D. J. HARDY 03JAN2005	STE TE Connectivity
DIMENSIONS: mm		CHK: J. W. HALL 26JAN2005	
TOLERANCES UNLESS OTHERWISE SPECIFIED:		APVD: J. W. HALL 26JAN2005	NAME: JACK KIT, UNASSEMBLED, I POSITION, RG-316 OR RG-174, FAKRA, SMB
0 PLC ±	1 PLC ±	PRODUCT SPEC	SIZE: CAGE CODE DRAWING NO. RESTRICTED TO
2 PLC ±0.25	3 PLC ±	APPLICATION SPEC	A100779C=1438912
4 PLC ±	ANGLES ±	WEIGHT	SCALE 5:1 SHEET 2 OF 2 REV E7
MATERIAL	FINISH	CUSTOMER DRAWING	