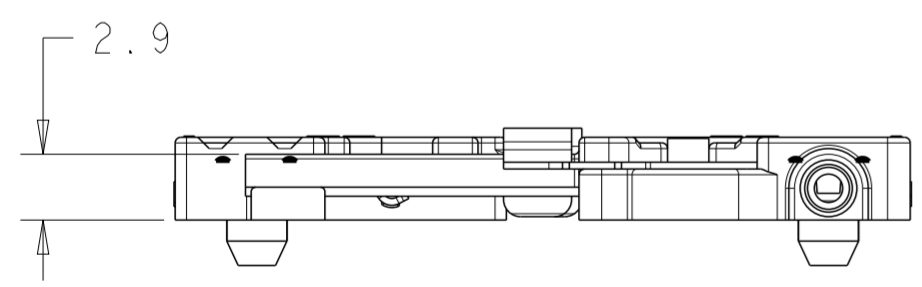
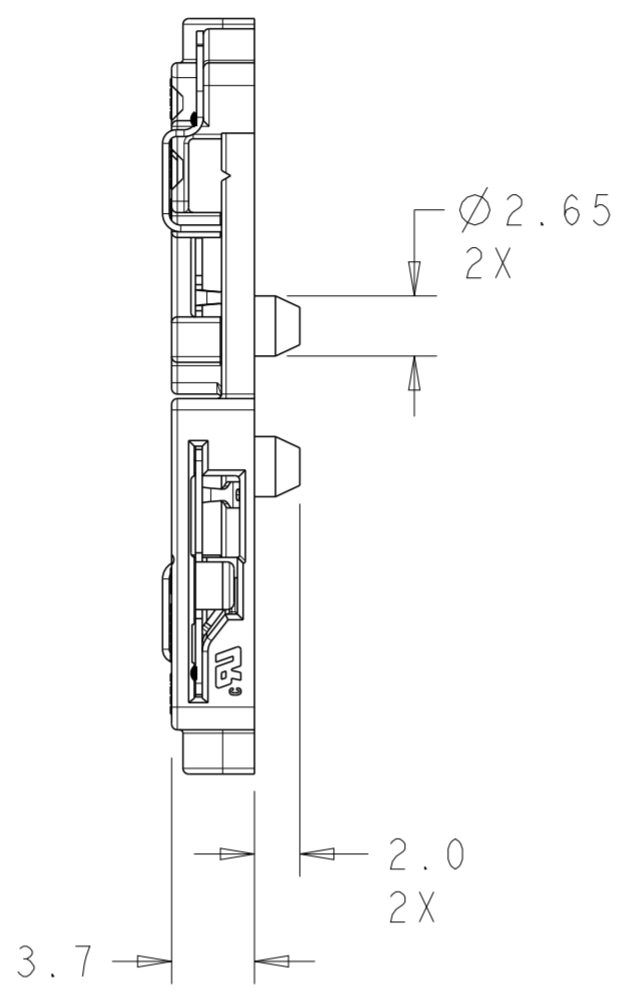
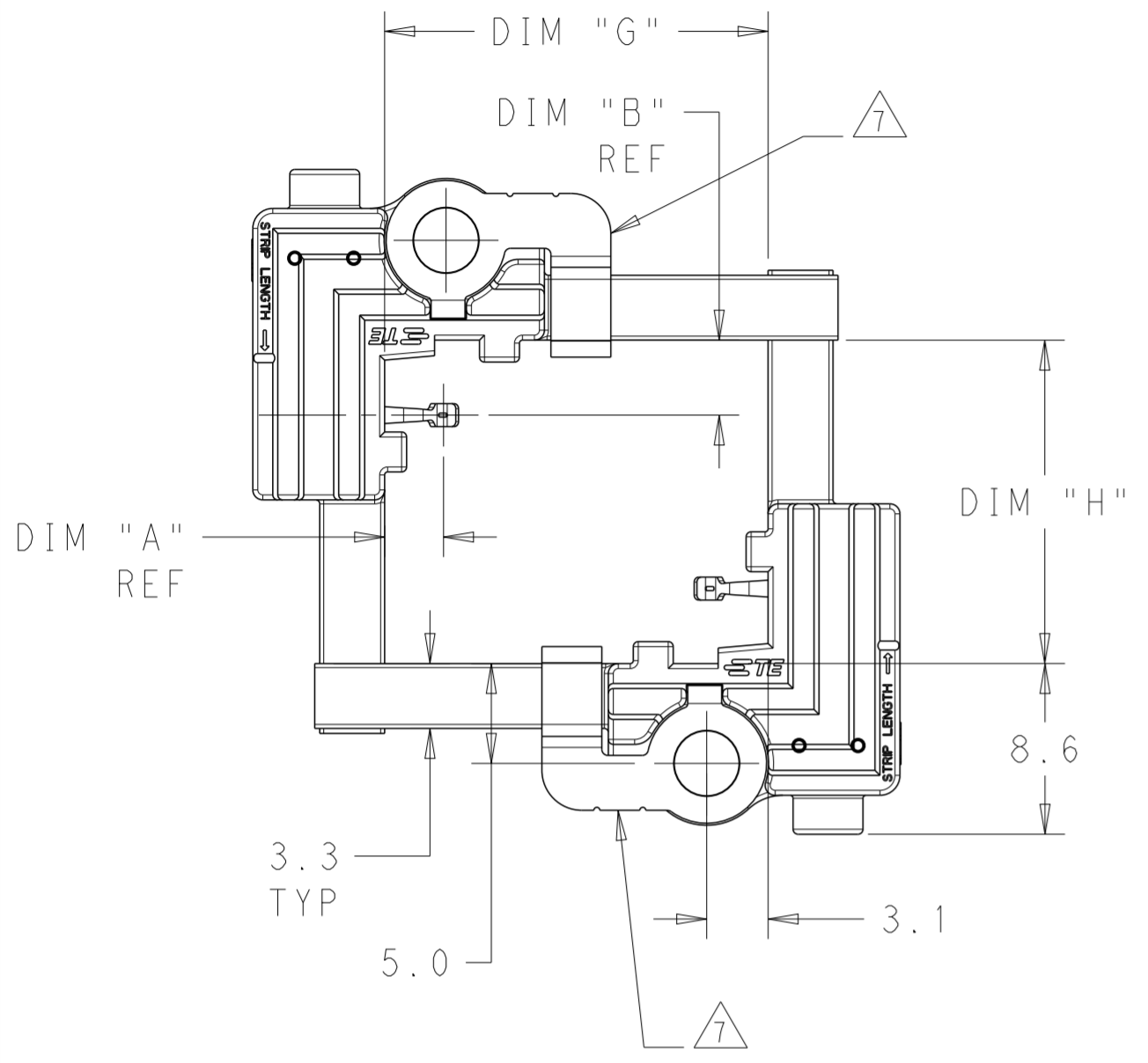


THIS DRAWING IS UNPUBLISHED. RELEASED FOR PUBLICATION 20
 © COPYRIGHT 20 BY - ALL RIGHTS RESERVED.

LOC		DIST		REVISIONS			
P	LTR	DESCRIPTION	DATE	DWN	APVD		
A		REVISED PER ECR-15-007373	31JUL2015	RS	DD		
A1		REVISED PER ECR-19-000093	08JAN2019	SR	DD		



- 1. MATERIALS AND FINISH:
 - HOUSING: PBT-GF, COLOR: NATURAL
 - CONTACTS: COPPER ALLOY
 - FINISH: SEE TABLE
 - THERMAL SPRING: STAINLESS STEEL
- 2. MUST COMPLY WITH DIRECTIVE 2002/95/EC (ROHS)
- 3. REFER TO LED MANUFACTURER'S DATASHEET FOR LED DIMENSIONS
- 4. REFER TO LED DATASHEET FOR RECOMMENDED THERMAL INTERFACE MATERIALS
- 5. RECOMMENDED SCREW SIZE: M3 OR #4.
TORQUE SCREWS TO 2.5 in-lbf TO 4.0 in-lbf
- 6. WIRE TYPES AND SIZES ACCEPTED
 - 18, 20 AND 22 AWG SOLID WIRE
 - 18 AND 20 AWG PREBOND STRANDED WIRE
 - 18 AWG STRANDED WIRE (16 STRAND COUNT)
 - MAX INSULATION OD: 2.10 MM
 - STRIP LENGTH: 8.0±1.0
- 7. IN APPLICATIONS WHERE THE LED SUBSTRATE IS LESS THAN 1.50MM THICK A THERMAL SPRING IS REQUIRED. AS NOTED IN THE TABLE THE THERMAL SPRINGS WILL BE INSTALLED PRIOR TO SHIPMENT FROM THE TE FACTORY.

8. FOR COB-TO-HOLDER CROSS REFERENCE, REFER TO APPLICATION SPECIFICATION 114-32208.

YES	38.30	38.30	2.26	2.00	GOLD OVER NICKEL	6-2154874-4
YES	28.30	28.30	2.26	2.00	GOLD OVER NICKEL	6-2154874-3
YES	19.30	19.30	1.85	1.55	GOLD OVER NICKEL	6-2154874-2
YES	13.80	13.80	1.85	1.55	GOLD OVER NICKEL	6-2154874-1
YES	24.15	24.15	2.26	2.00	GOLD OVER NICKEL	5-2154874-3
YES	16.15	16.15	2.26	2.00	GOLD OVER NICKEL	5-2154874-2
NO	22.30	22.30	3.75	2.95	TIN OVER NICKEL	5-2154874-1
NO	25.45	22.45	2.26	2.00	TIN OVER NICKEL	3-2154874-2
7 THERMAL SPRING	DIM H	DIM G	DIM B	DIM A	CONTACT PLATING	PART NUMBER

THIS DRAWING IS A CONTROLLED DOCUMENT.

DWN: M. MOSTOLLER 22MAR2012
 CHK: M. MOSTOLLER 22MAR2012
 APVD: M. MOSTOLLER 22MAR2012

STE TE Connectivity

NAME: ONE PIECE ASSEMBLY LUMAWISE LED HOLDER, SCALABLE

PRODUCT SPEC: 108-133005
 APPLICATION SPEC: 114-32043

SIZE: A2 CAGE CODE: 00779 DRAWING NO: C-2154874 RESTRICTED TO: -

WEIGHT: -

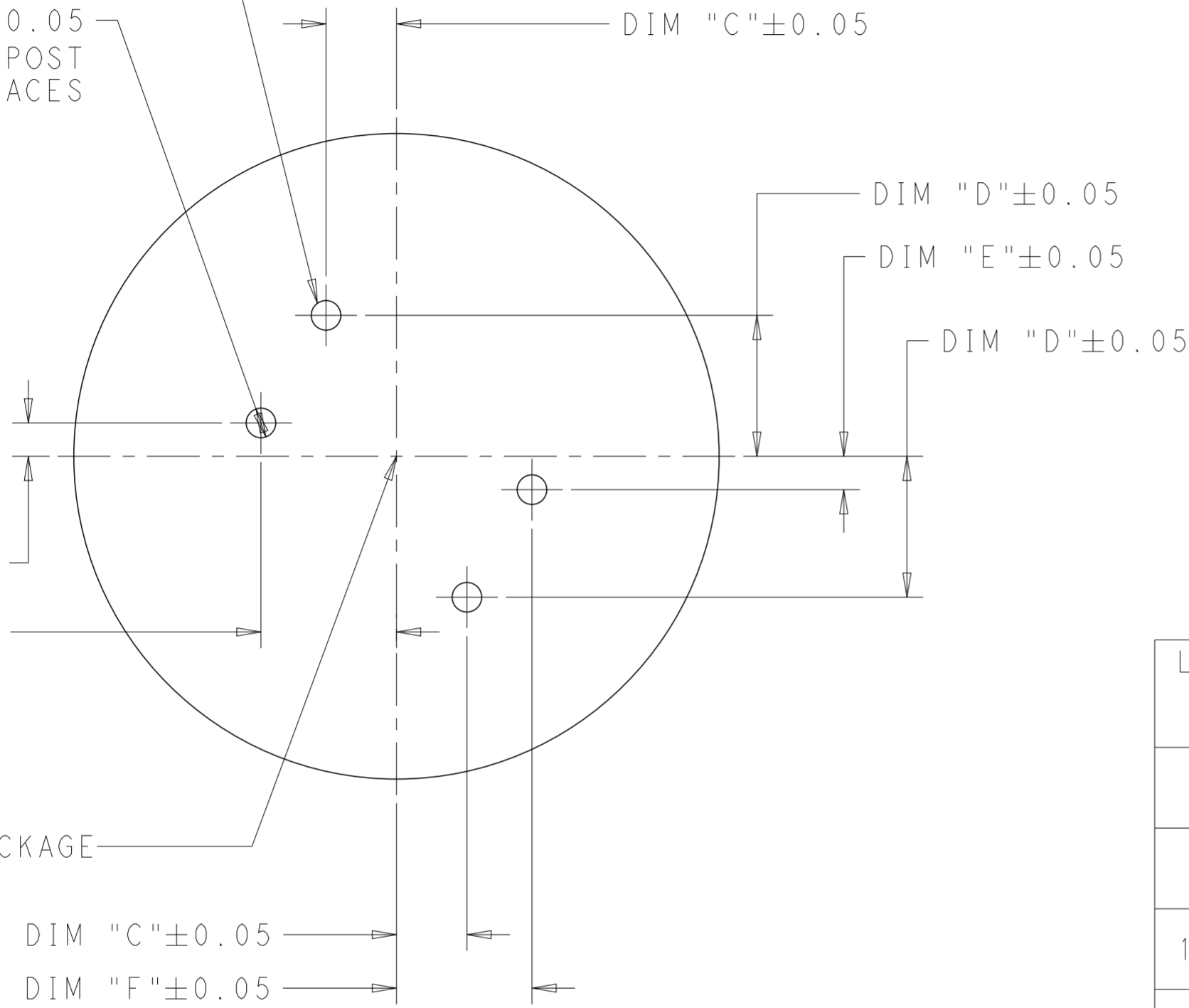
Customer Drawing SCALE: 3:1 SHEET 1 OF 2 REV: A1

THIS DRAWING IS UNPUBLISHED. RELEASED FOR PUBLICATION 20
 © COPYRIGHT 20 BY - ALL RIGHTS RESERVED.

LOC		DIST		REVISIONS			
P	LTR	DESCRIPTION	DATE	DWN	APVD		
-	-	SEE SHEET 1	-	-	-		

DRILL AND TAP FOR M3
OR #4 MOUNTING
HARDWARE 2 PLACES


DRILL $\varnothing 2.75 \pm 0.05$
FOR ALIGNMENT POST
2 PLACES



CENTER OF LED PACKAGE

RECOMMENDED MOUNTING HOLE PATTERN

LED DIMENSION $\triangle 3$	DIM "C"	DIM "D"	DIM "E"	DIM "F"	RECOMMENED SOCKET PART NUMBER
25.5 X 22.3	9.70	16.30	6.30	15.80	3-2154874-2
22.0 X 22.0	8.05	16.15	6.15	14.15	5-2154874-1
15.85 X 15.85	4.98	13.08	3.08	11.08	5-2154874-2
23.85 X 23.85	8.98	17.08	7.08	15.08	5-2154874-3
13.5 X 13.5	3.80	11.90	1.90	9.90	6-2154874-1
19.0 X 19.0	6.55	14.65	4.65	12.65	6-2154874-2
28.0 X 28.0	11.05	19.15	9.15	17.15	6-2154874-3
38.0 X 38.0	16.05	24.15	14.15	22.15	6-2154874-4

THIS DRAWING IS A CONTROLLED DOCUMENT.		DWN M. MOSTOLLER 22MAR2012	 TE Connectivity	
DIMENSIONS: mm		CHK M. MOSTOLLER 22MAR2012		
TOLERANCES UNLESS OTHERWISE SPECIFIED:		APVD M. MOSTOLLER 22MAR2012	NAME ONE PIECE ASSEMBLY LUMAWISE LED HOLDER, SCALABLE	
0 PLC ± 1 PLC ±0.2 2 PLC ±0.13 3 PLC ± 4 PLC ± ANGLES ± FINISH ±		PRODUCT SPEC 108-133005	SIZE A2	CAGE CODE 00779
MATERIAL		APPLICATION SPEC 114-32043	DRAWING NO C-2154874	RESTRICTED TO
-		WEIGHT -	SCALE 3:1	SHEET 2 OF 2
-		Customer Drawing	REV A1	