

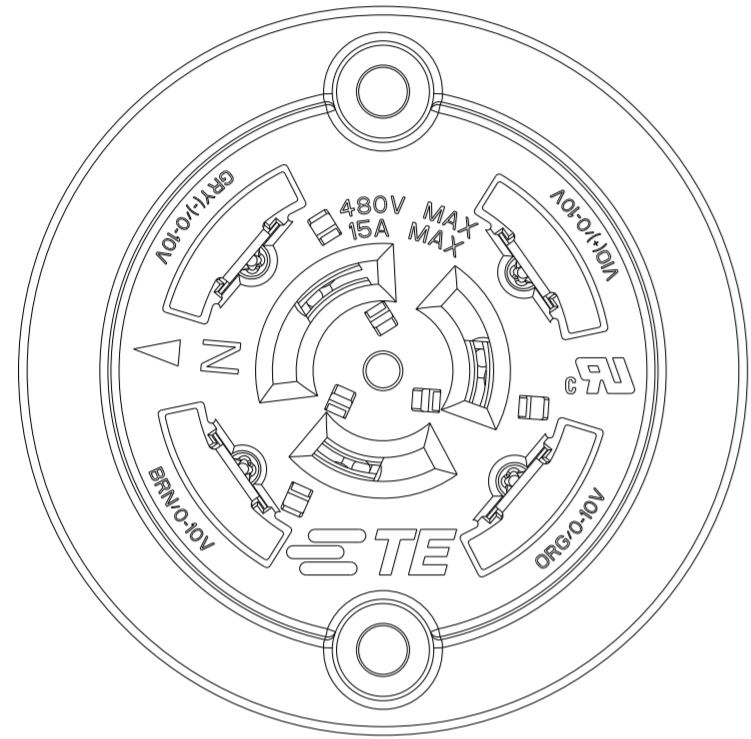
THIS DRAWING IS UNPUBLISHED. RELEASED FOR PUBLICATION 20
 BY - ALL RIGHTS RESERVED.

NOTES:

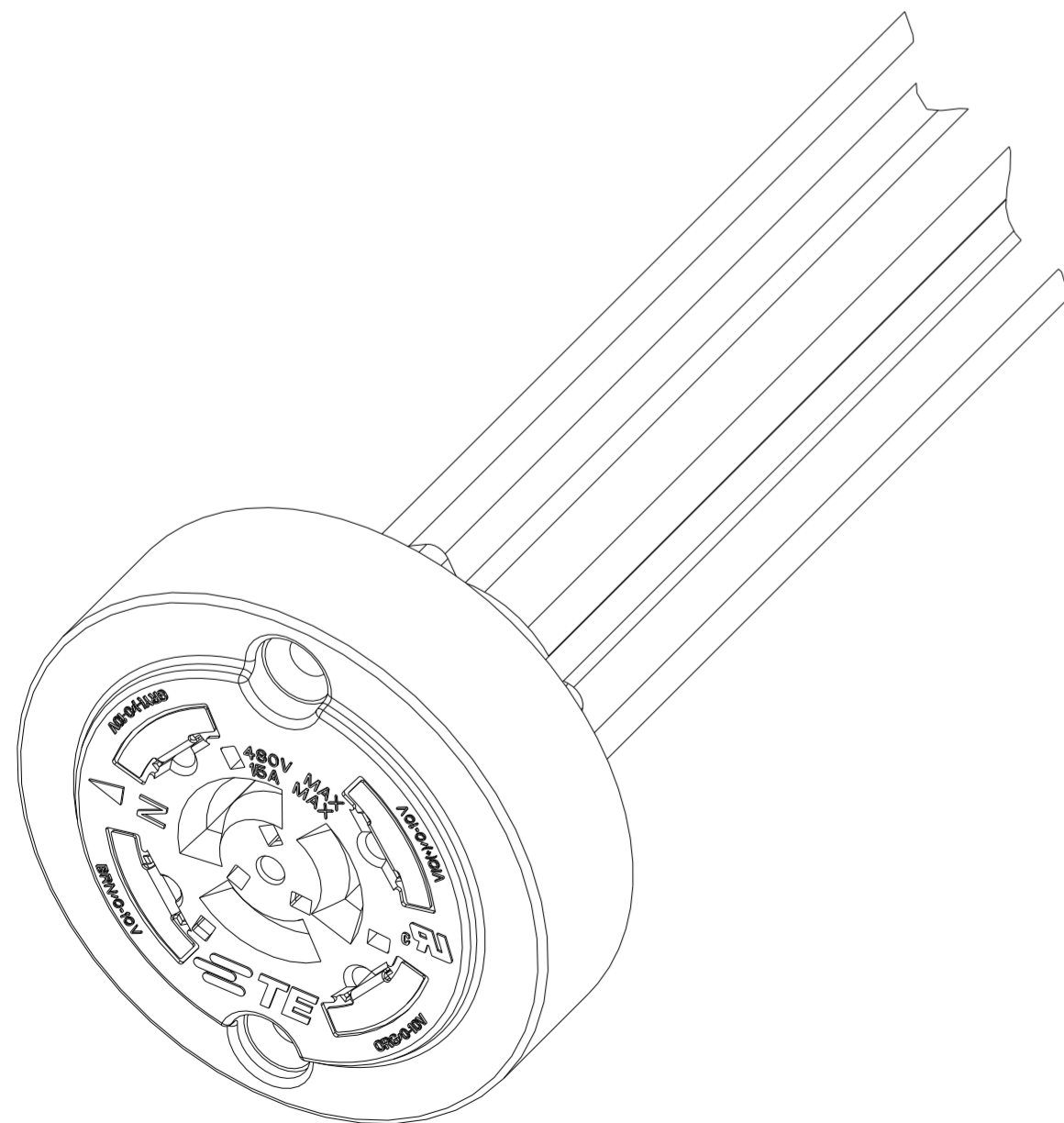
1. MATERIALS:
 HOUSING: GLASS-FILLED THERMOPLASTIC, UL 94V-0 RATED DIMMING CONTACTS (2 OR 4) AND LINE VOLTAGE CONTACTS (3): COPPER ALLOY
2. FINISH:
 DIMMING CONTACTS (2 OR 4): NICKEL UNDERPLATE ENTIRE CONTACT 0.127 μ m MIN THICK. GOLD PLATE CONTACT PAD AREA (MATING FACE SIDE ONLY) 0.76 μ m MIN THICK. MATTE TIN PLATE TAB ON BOTH SIDES 0.30 μ m MIN THICK. LINE VOLTAGE CONTACTS (3): TIN PLATE.
3. LINE VOLTAGE CONDUCTORS (3):
 14 AWG, 600V, 150°C RATED, COPPER 41/30 STRANDED PER UL STYLE AWM 3321.
4. MATING INTERFACE PER ANSI C136.41-2013.
5. OPTIONAL DIMMING CONTACTS (2) SUPPLIED.
6. DIMMING CONDUCTORS (2 OR 4):
 18 AWG, 600V, 150°C RATED, 16/30 STRANDED, PER UL STYLE AWM 3321.
7. LINE VOLTAGE CONDUCTORS (3):
 14 AWG, 600V, 105°C RATED, COPPER 41/30 STRANDED. PER UL STYLE AWM 1015.

LOC		DIST		REVISIONS			
P	LTR	DESCRIPTION	DATE	DWN	APVD		
	A20	REVISED PER ECR-20-016246	07DEC2020	MM	JL		
	A21	REVISED PER ECR-21-110497	17AUG2021	JL	MM		
	B	REVISED PER ECR-21-118984	11NOV2021	SD	MM		
	B1	REVISED PER ECR-22-127557	24JAN2022	SD	MM		

- 8. DIMMING CONDUCTORS (2 OR 4):
 18 AWG, 600V, 105°C RATED, COPPER 16/30 STRANDED. PER UL STYLE AWM 1015.
- 9. PRELIMINARY.
- 10. FOR PART NUMBER 5-2213362-4 ONLY,
 STRIP AND REMOVE INSULATION AS SHOWN.
 LEAD WIRES TO BE SOLDER DIPPED.
- 11. MUST BE USED WITH EITHER GASKET P/N 2213469-1
 OR P/N 2324246-1 (SOLD SEPARATELY).



SEE SHEET 2 FOR WIRING COLOR CODE



STRIP LENGTH	OVERALL LENGTH	A	B	WIRE STYLE	QUANTITY OF DIMMING CONTACTS	PART NO.
12.0	203.0	153.0	153.0	7 AND 8	4 5	9-2213362-4
12.7	1036.3	1000	986.5	7 AND 8	4 5	8-2213362-4 9
12.7	266.3	230.0	216.5	7 AND 8	4 5	7-2213362-4
12.7	236.3	200.0	-	7	-	6-2213362-4 9
12.7	341.1	304.8	-	3	-	6-2213362-2
12.7	341.1	304.8	-	7	-	6-2213362-1
15.88	264.9	228.6	-	3	-	5-2213362-9
BLACK WIRE: 15.88 WHITE WIRE: 15.88 RED WIRE: 6.35	798.3	762.0	-	3	-	5-2213362-8
9.0	341.1	304.8	291.3	7 AND 8	4 5	5-2213362-4 10 9
9.0	211.3	175.0	175.0	7 AND 8	4 5	4-2213362-6
9.0	341.1	304.8	291.3	7 AND 8	4	4-2213362-5
12.7	950.7	914.4	914.4	7 AND 8	4 5	4-2213362-4 9
8.0	73.0	35.0	35.0	7 AND 8	4 5	3-2213362-4 9
12.7	1865.1	1828.8	1815.3	3 AND 6	2	3-2213362-1 9
12.7	736.3	700.0	686.5	7 AND 8	4 5	2-2213362-4
12.7	696.3	660.0	646.5	3 AND 6	4 5	2-2213362-2 9
12.7	696.3	660.0	646.5	3 AND 6	2	2-2213362-1
12.7	536.3	500.0	486.5	7 AND 8	4 5	1-2213362-4
12.7	536.3	500.0	486.5	7 AND 8	2	1-2213362-3 9
12.7	1823.3	1346.0	1332.5	3 AND 6	4 5	1-2213362-2
12.7	536.3	500.0	486.5	3 AND 6	2	1-2213362-1 9
12.7	341.1	304.8	291.3	7 AND 8	4 5	2213362-4
12.7	341.1	304.8	291.3	7 AND 8	2	2213362-3
12.7	341.1	304.8	291.3	3 AND 6	4 5	2213362-2
12.7	341.1	304.8	291.3	3 AND 6	2	2213362-1

THIS DRAWING IS A CONTROLLED DOCUMENT.

DWN	J. SHAFFER	26 JUN 2013
CHK	E. HOWARD	26 JUN 2013
APVD	E. HOWARD	26 JUN 2013

TE Connectivity

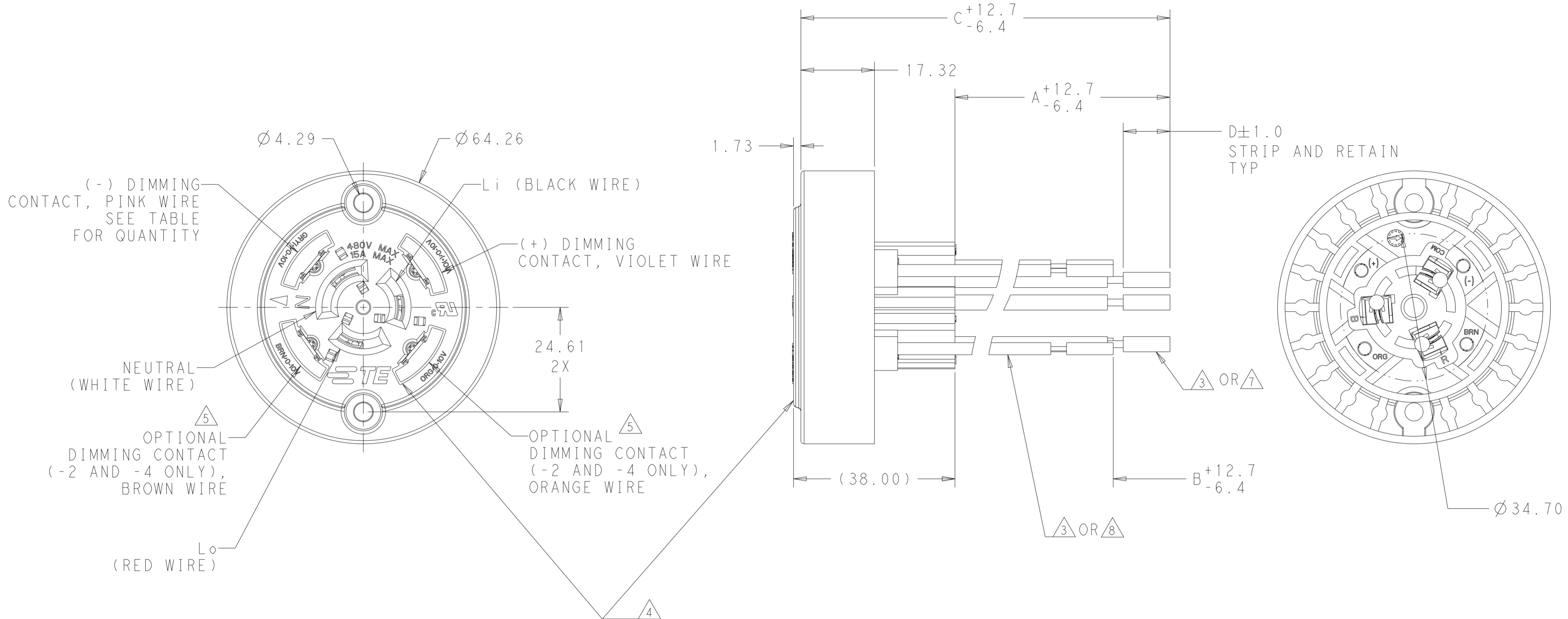
RECEPTACLE ASSEMBLY, DIMMABLE PHOTOCONTROL

PRODUCT SPEC	108-32059	SIZE	A2	CAGE CODE	00779	DRAWING NO	C-2213362	RESTRICTED TO	-
APPLICATION SPEC	114-32115	WEIGHT	-	SCALE	1:1	SHEET	1 OF 2	REV	B1

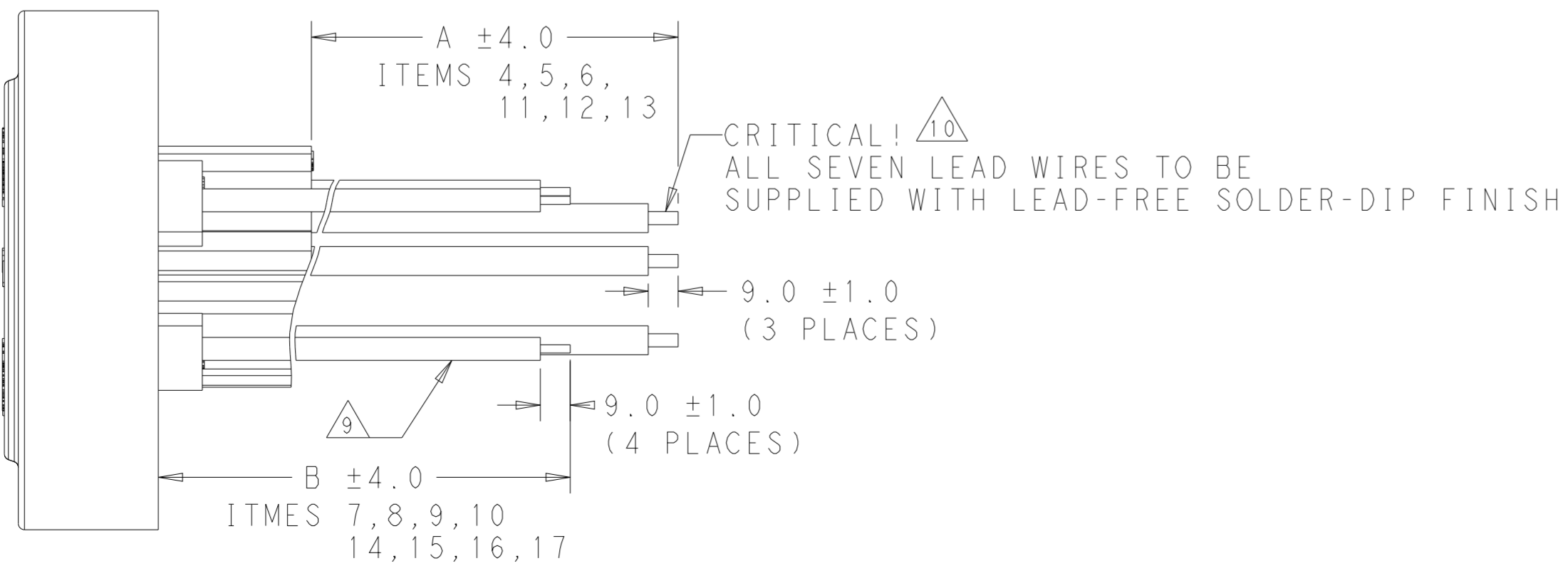
CUSTOMER DRAWING

THIS DRAWING IS UNPUBLISHED. RELEASED FOR PUBLICATION 20
 © COPYRIGHT 20 BY - ALL RIGHTS RESERVED.

LOC		DIST		REVISIONS			
P	LTR	DESCRIPTION	DATE	DWN	APVD		
-	-	SEE SHEET 1	-	-	-		



5-2213362-4 ONLY



THIS DRAWING IS A CONTROLLED DOCUMENT.		DWN J. SHAFFER 26 JUN 2013	STE TE Connectivity	
DIMENSIONS: mm		CHK E. HOWARD 26 JUN 2013		
TOLERANCES UNLESS OTHERWISE SPECIFIED:		APVD E. HOWARD 26 JUN 2013	NAME RECEPTACLE ASSEMBLY, DIMMABLE PHOTOCONTROL	
0 PLC \pm		PRODUCT SPEC 108-32059	SIZE CAGE CODE DRAWING NO RESTRICTED TO	
1 PLC \pm		APPLICATION SPEC 114-32115	A200779 C-2213362	
2 PLC ± 0.13		WEIGHT -	SCALE 1:1 SHEET 2 OF 2 REV B1	
3 PLC \pm		CUSTOMER DRAWING		
4 PLC \pm				
ANGLES \pm				
FINISH				