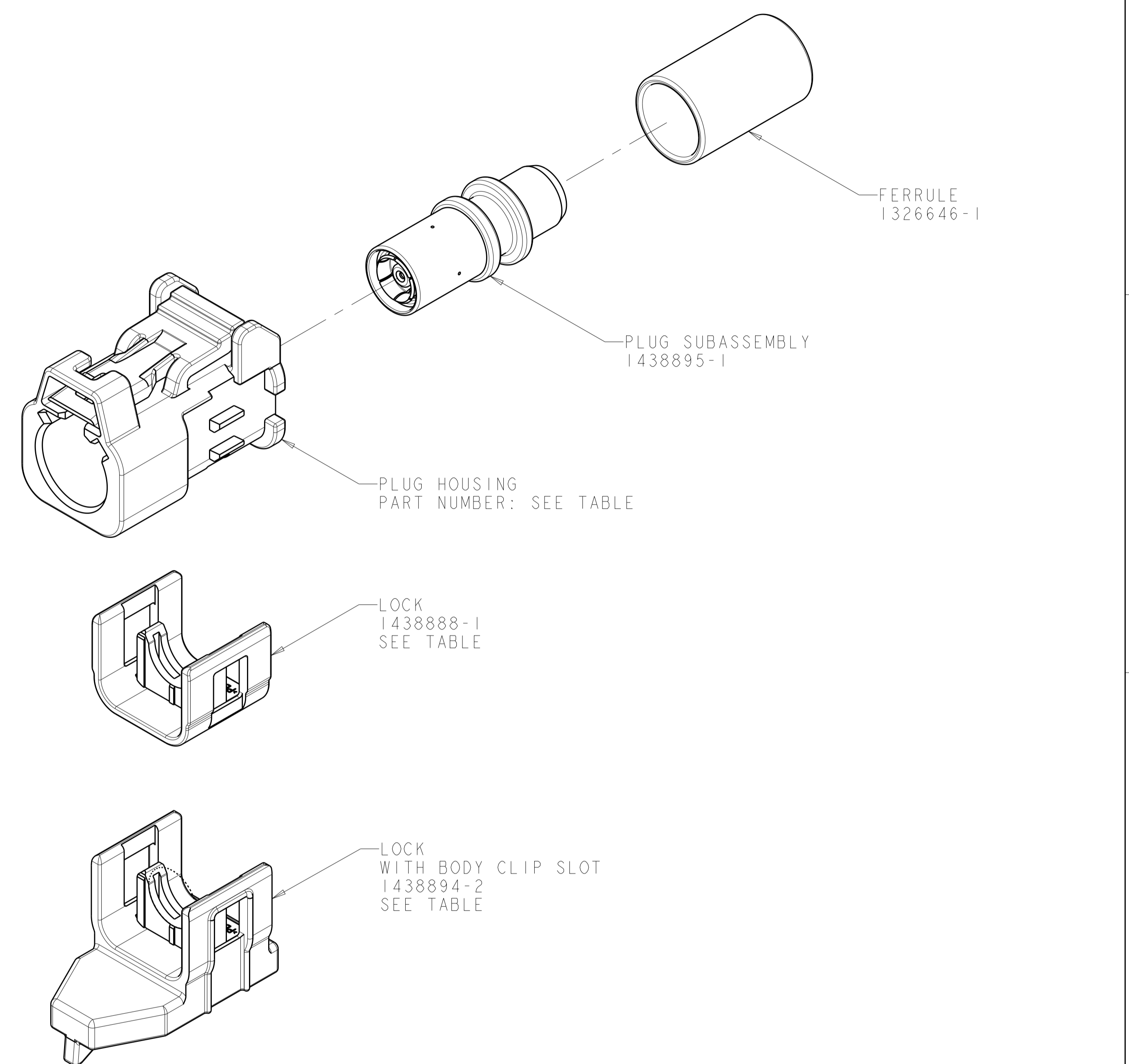
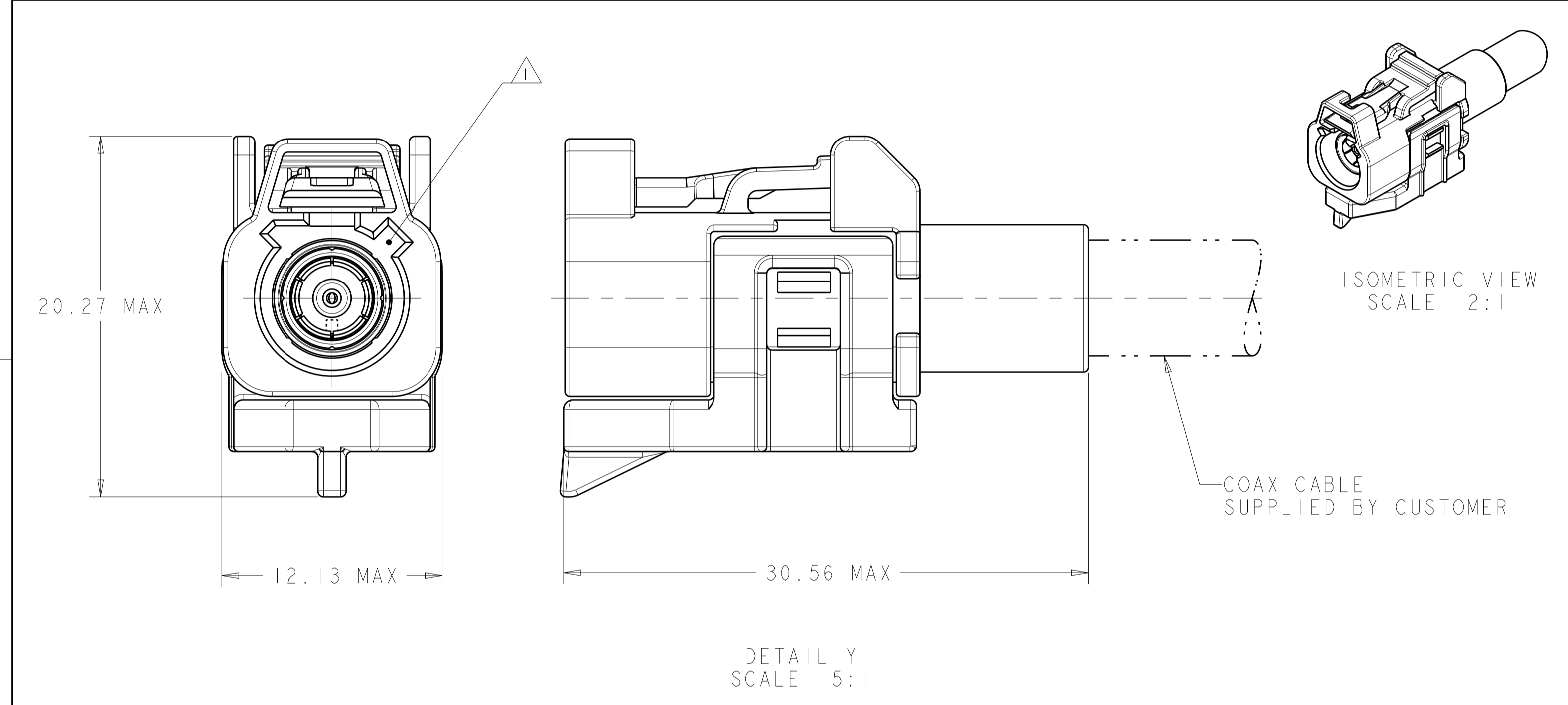
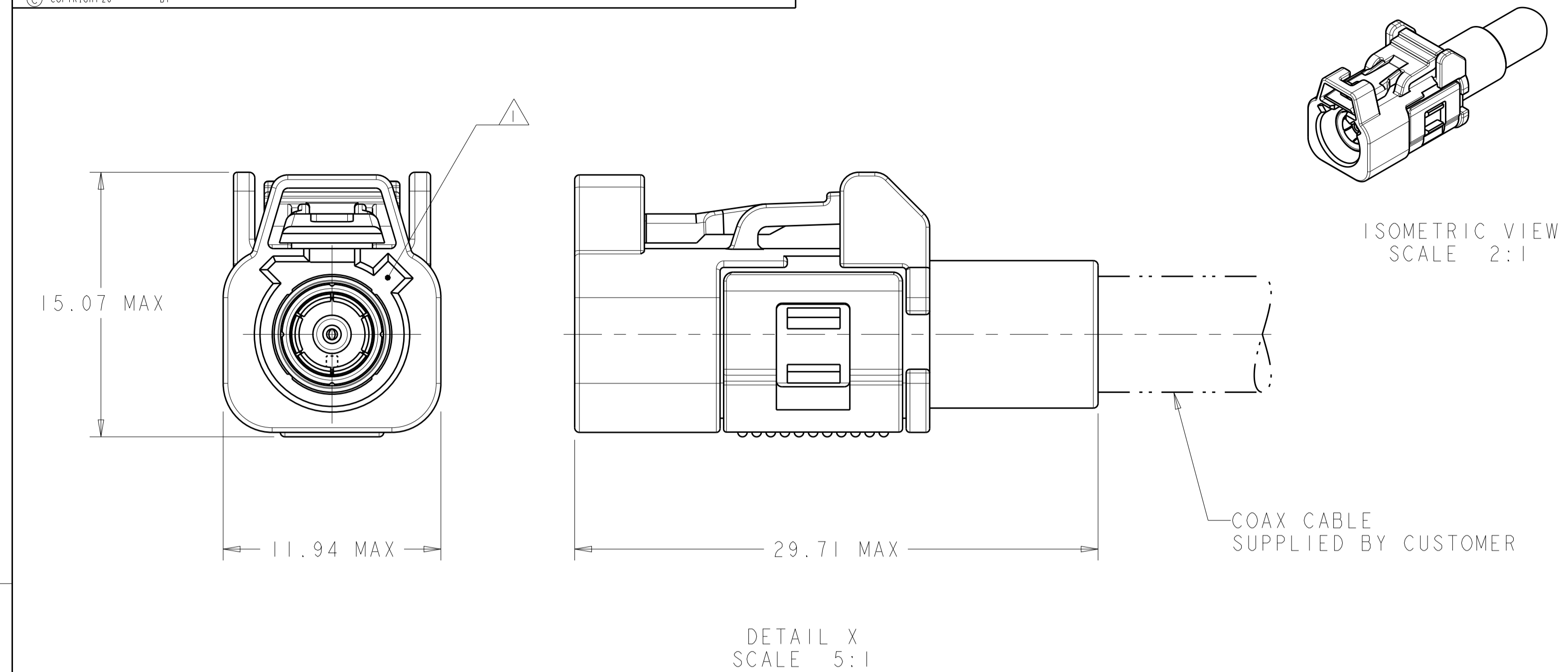
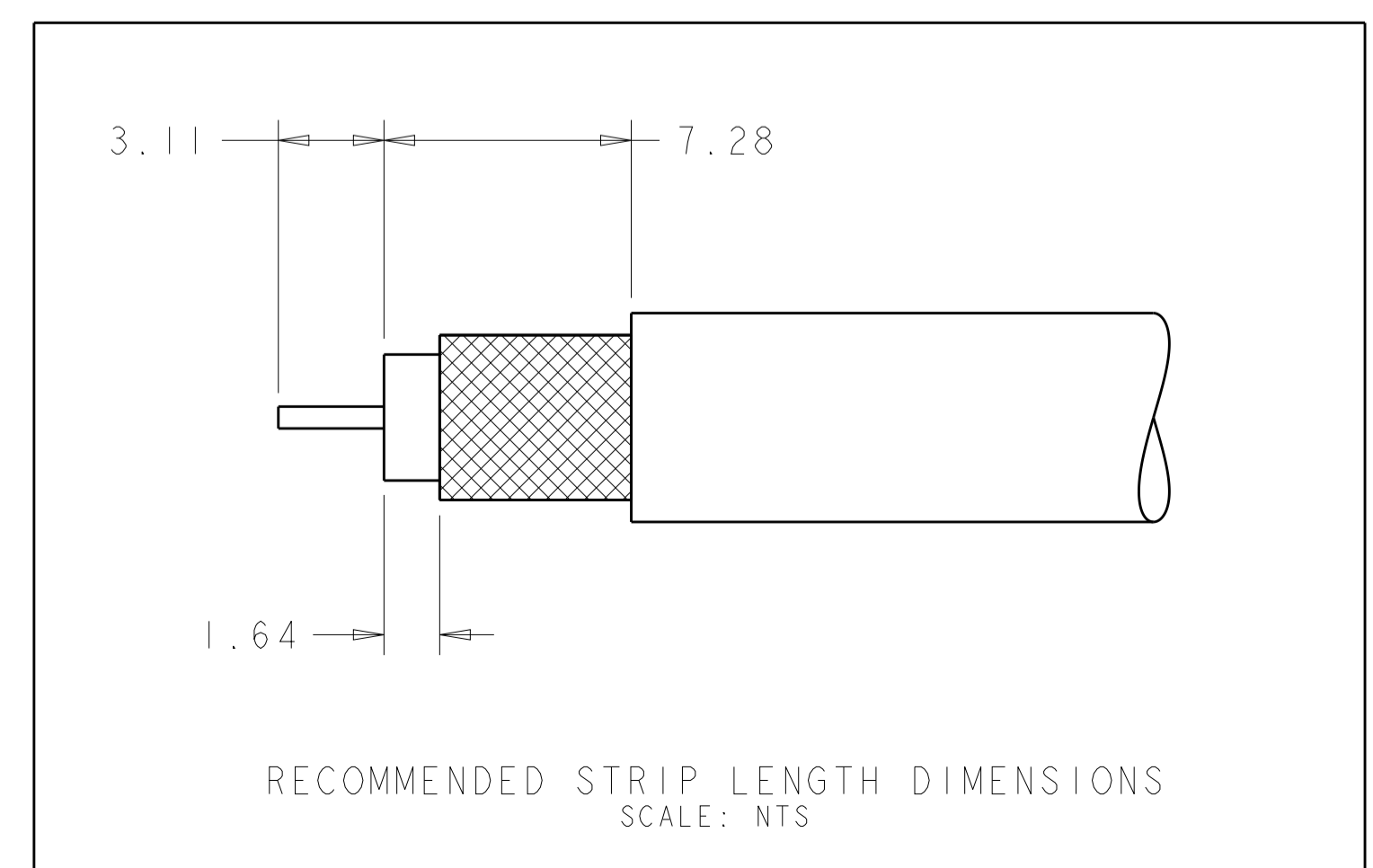


| LOC | | DIST | | REVISIONS | | | |
|-----|-----|---------------|-----------|-----------|------|--|--|
| P | LTN | DESCRIPTION | DATE | DWN | APVD | | |
| C1 | | ECO-13-012147 | 29AUG2013 | KP | LV | | |



△ PLUG ACCEPTS JACKS MEETING DIN 72594-1, ROAD VEHICLES - RADIO FREQUENCY INTERFACE - DIMENSIONS AND ELECTRICAL REQUIREMENTS.

2. PLUG SUBASSEMBLY WILL ACCEPT RG-59 COAXIAL CABLE.
3. SEE INSTRUCTION SHEET 408-10028.
4. SOCKET CONTACT 1438896-4 MUST BE PURCHASED SEPERATELY.



| PER DETAIL Y | PER DETAIL M | M | GRAY | 1438894-2 | PASTEL ORANGE | 1-1438893-2 | 6-776682-2 |
|--------------|--------------|--------|------------|------------------|----------------|--------------------------|-------------|
| PER DETAIL Y | PER DETAIL K | K | GRAY | 1438894-2 | CURRY | 1-1438893-0 | 6-776682-0 |
| PER DETAIL Y | PER DETAIL H | H | GRAY | 1438894-2 | HEATHER VIOLET | 1438893-8 | 5-776682-8 |
| PER DETAIL Y | PER DETAIL D | D | GRAY | 1438894-2 | CLARET VIOLET | 1438893-4 | 5-776682-4 |
| PER DETAIL Y | PER DETAIL C | C | GRAY | 1438894-2 | SIGNAL BLUE | 1438893-3 | 5-776682-3 |
| PER DETAIL Y | PER DETAIL B | B | GRAY | 1438894-2 | SIGNAL WHITE | 1438893-2 | 5-776682-2 |
| PER DETAIL Y | PER DETAIL A | A | GRAY | 1438894-2 | JET BLACK | 1438893-1 | 5-776682-1 |
| PER DETAIL X | PER DETAIL M | M | RED | 1438888-1 | PASTEL ORANGE | 1-1438893-2 | 1-776682-2 |
| PER DETAIL X | PER DETAIL K | K | RED | 1438888-1 | CURRY | 1-1438893-0 | 1-776682-0 |
| PER DETAIL X | PER DETAIL H | H | RED | 1438888-1 | HEATHER VIOLET | 1438893-8 | 776682-8 |
| PER DETAIL X | PER DETAIL D | D | RED | 1438888-1 | CLARET VIOLET | 1438893-4 | 776682-4 |
| PER DETAIL X | PER DETAIL C | C | RED | 1438888-1 | SIGNAL BLUE | 1438893-3 | 776682-3 |
| PER DETAIL X | PER DETAIL B | B | RED | 1438888-1 | SIGNAL WHITE | 1438893-2 | 776682-2 |
| PER DETAIL X | PER DETAIL A | A | RED | 1438888-1 | JET BLACK | 1438893-1 | 776682-1 |
| ASSEMBLY | KEYING | CODING | LOCK COLOR | LOCK PART NUMBER | HOUSING COLOR | PLUG HOUSING PART NUMBER | PART NUMBER |

THIS DRAWING IS A CONTROLLED DOCUMENT.

DWN: D. J. HARDY 03JUN2005
 CHG: J. W. HALL 25AUG2005
 APVD: J. W. HALL 25AUG2005

DIMENSIONS: mm
 TOLERANCES UNLESS OTHERWISE SPECIFIED:
 0 PLC ±
 1 PLC ±0.25
 2 PLC ±
 3 PLC ±
 4 PLC ±
 ANGLES ±

MATERIAL: FINISH:

APPROVED: J. W. HALL 25AUG2005

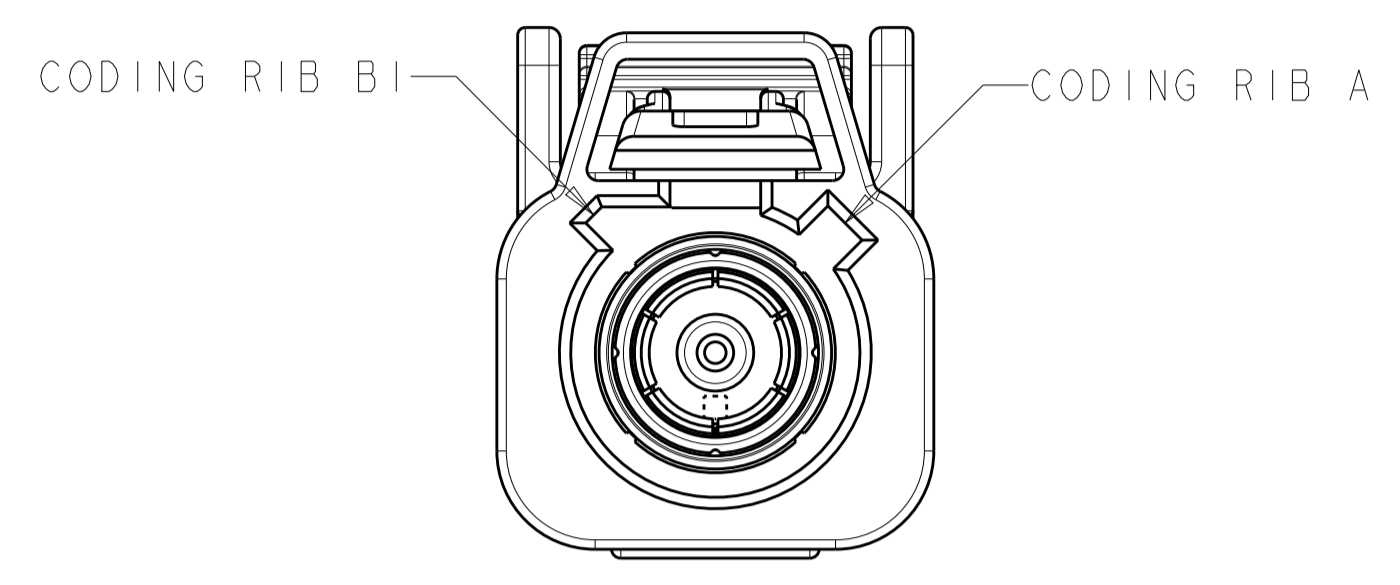
PRODUCT SPEC: NAME: PLUG KIT, UNASSEMBLED, 1 POS. RG-59, 180 DEGREE, FAKRA, SMB

APPLICATION SPEC: SIZE: CAGE CODE: DRAWING NO: 114-13157 WEIGHT: A100779 C=776682

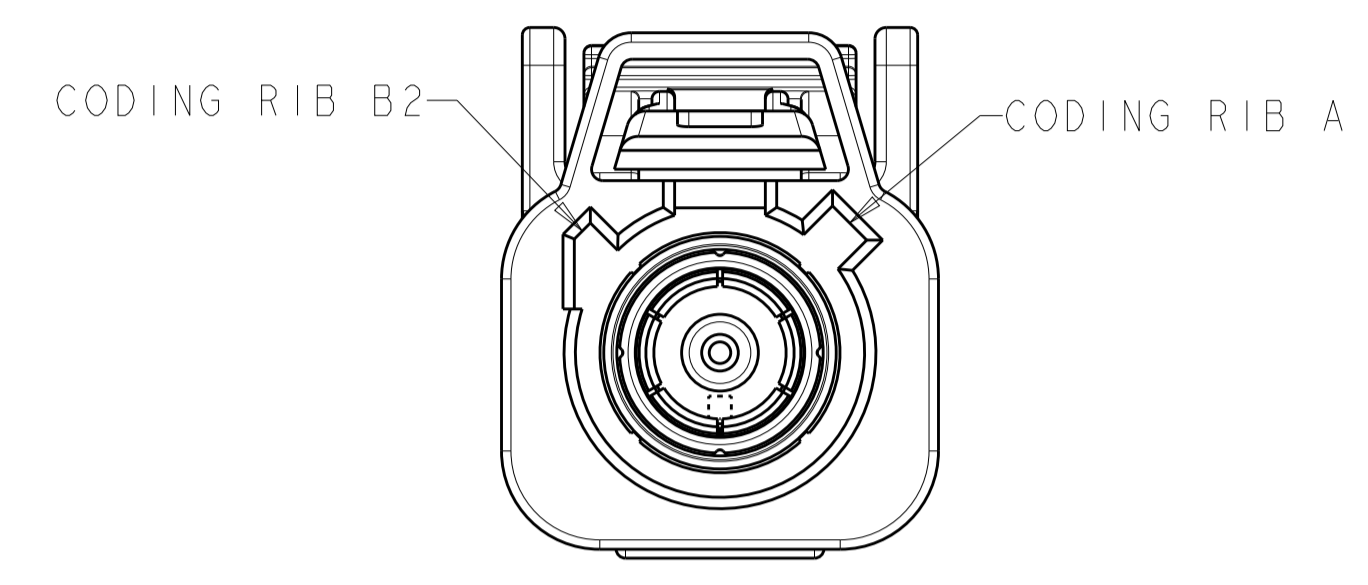
RESTRICTED TO: CUSTOMER DRAWING SCALE: 5:1 SHEET 1 OF 2 REV: C1

4805 (3/11)

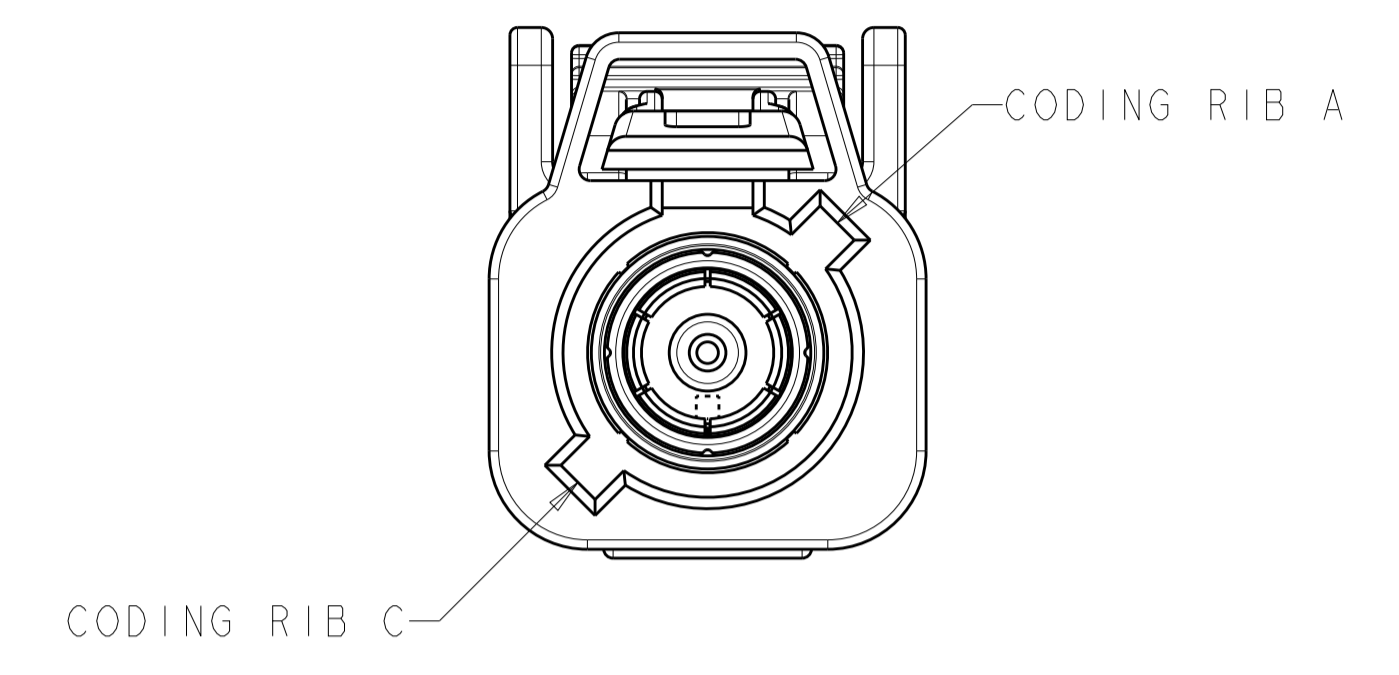
| LOC | | DIST | | REVISIONS | | | | |
|-----|-----|------|-----|-----------|-------------|------|-----|------|
| P | LTN | DATE | DMN | APVD | DESCRIPTION | DATE | DMN | APVD |
| - | - | - | - | - | SEE SHEET 1 | - | - | - |
| | | | | | | | | |
| | | | | | | | | |



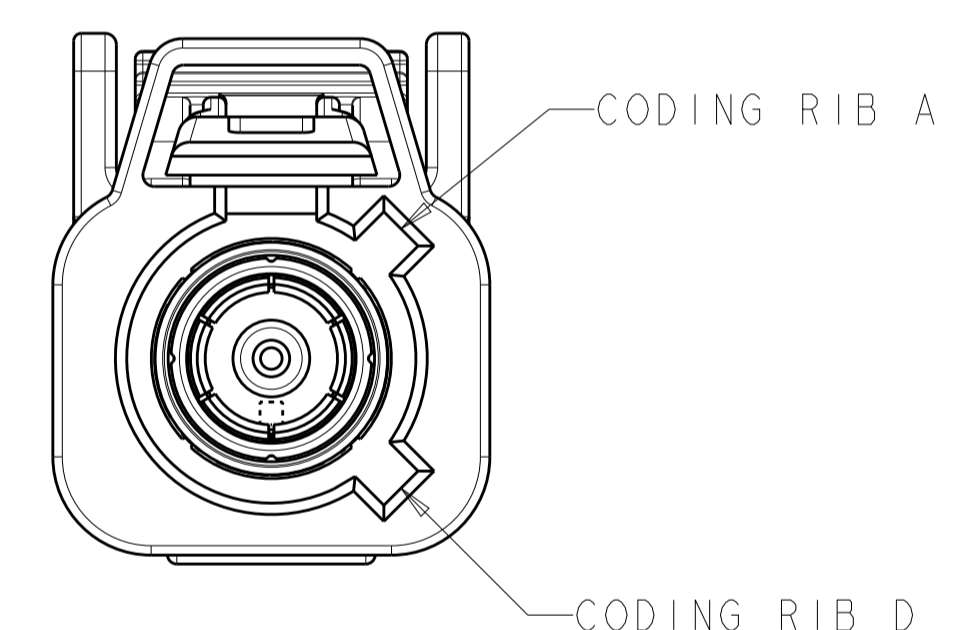
DETAIL A
SCALE 5:1



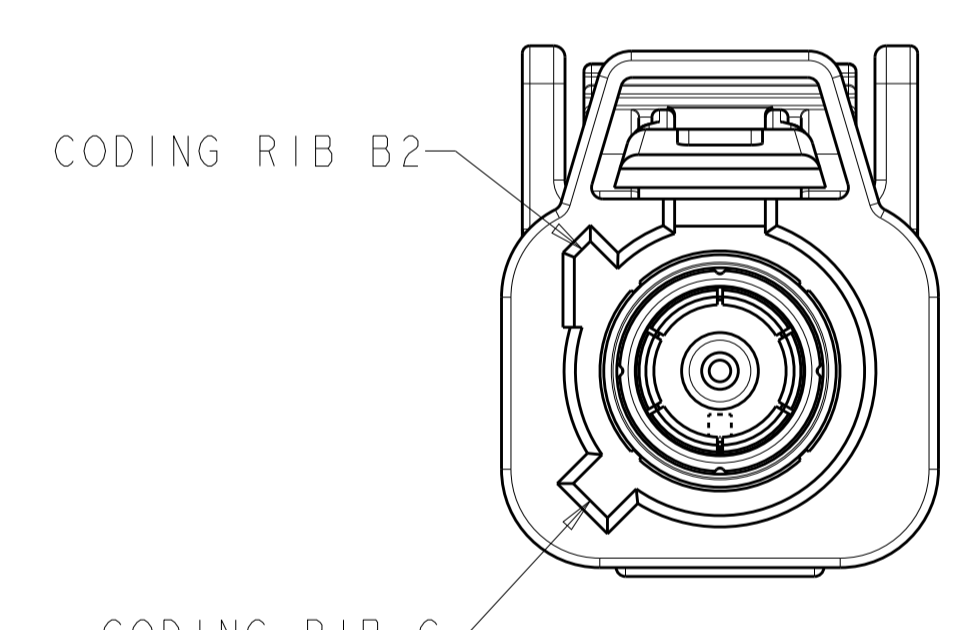
DETAIL B
SCALE 5:1



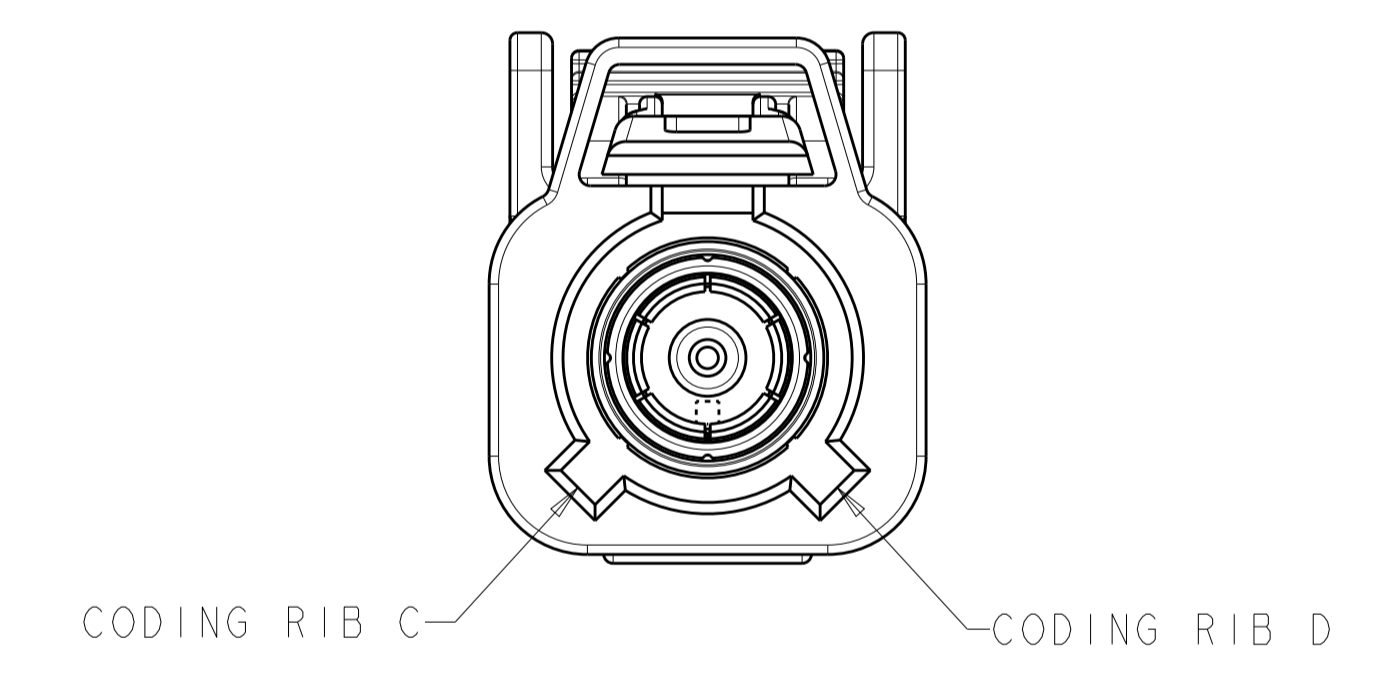
DETAIL C
SCALE 5:1



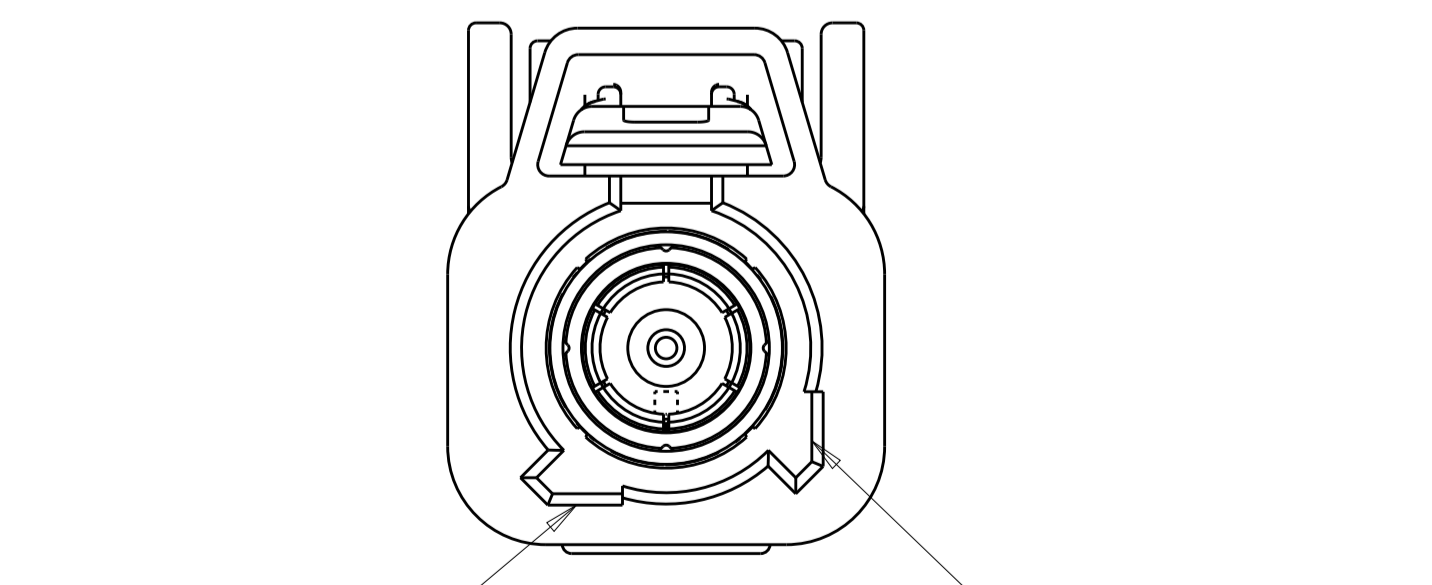
DETAIL D
SCALE 5:1



DETAIL H
SCALE 5:1



DETAIL K
SCALE 5:1



DETAIL M
SCALE 5:1

| | | | |
|--|--|---------------------------------|--|
| THIS DRAWING IS A CONTROLLED DOCUMENT. | | DMN D. J. HARDY 03JUN2005 | TE Connectivity |
| DIMENSIONS: | | CHK J. W. HALL 25AUG2005 | |
| mm | TOLERANCES UNLESS OTHERWISE SPECIFIED: | APVD J. W. HALL 25AUG2005 | NAME PLUG KIT, UNASSEMBLED, 1 POSITION, RG-59, 180 DEGREE, FAKRA, SMB |
| 0 PLC ± | 1 PLC ± | PRODUCT SPEC | SIZE A100779C=776682 |
| 2 PLC ± | 3 PLC ± | APPLICATION SPEC | RESTRICTED TO |
| 4 PLC ± | ANGLES ± | 114-13157 | SCALE 5:1 SHEET 2 OF 2 REV C1 |
| MATERIAL | FINISH | WEIGHT | CUSTOMER DRAWING |