

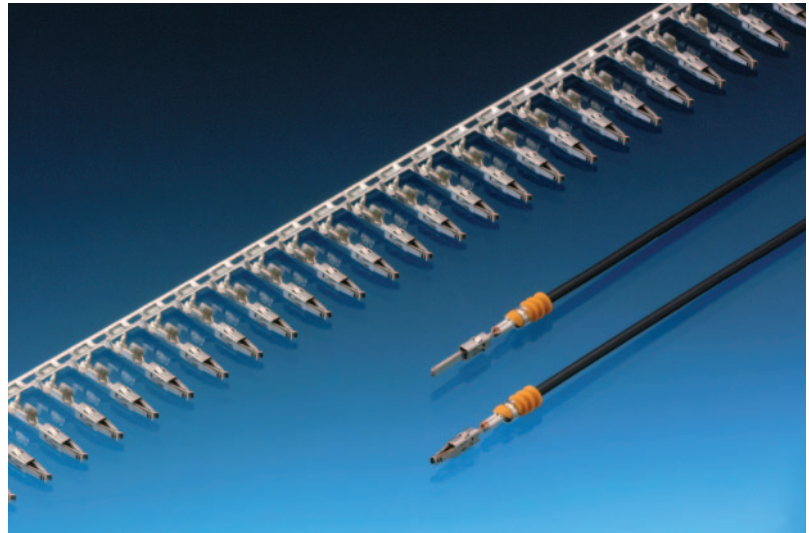
## DCS-2



## 1.5 mm female and male terminals

## Features

- DCS-2 technology
- Long contact mating force
- Long auxiliary steel spring in CrNi
- 4 mm pitch
- Single wire seal versions available
- Crimp code on terminal
- Suitable for secondary lock
- Selective gold-plated versions available
- Standard product



## Performance characteristics\*

- Contact resistance: < 2 mΩ
- Contact mating force: < 7 N
- Contact unmating force: < 4 N
- Current carrying capacity with 1.5 mm<sup>2</sup> wire:
 

at 23°C up to approx.:	20 A
at 85°C up to approx.:	15 A
at 100°C up to approx.:	10 A

\* Mated with 1.5 x 0.6 mm DCS-2 male terminal (Sn)

## Packing

- No. of terminals per reel: Consult us
- No. of reels per packing: Consult us

## Tooling

- Manual crimping tool: Consult us
- Mini applicator: Consult us

Part Numbers	Type	Wire size range (in mm <sup>2</sup> )		Insulation Ø (in mm) Max.	Material	Plating
		Min.	Max.			
6 000 05 11	Female	0.20	0.35	1.30	CuFe/CrNi	Sn
6 000 05 14	Female	0.20	0.35	1.30	CuSn/CrNi	Au
6 000 05 31	Female	0.50	1.00	2.10	CuFe/CrNi	Sn
6 000 05 34	Female	0.50	1.00	2.10	CuSn/CrNi	Au
6 000 05 41	Female	> 1.00	1.50	2.40	CuFe/CrNi	Sn
6 000 06 11 (SWS)	Female	0.20	0.35	1.60	CuFe/CrNi	Sn
6 000 06 14 (SWS)	Female	0.20	0.35	1.60	CuSn/CrNi	Au
6 000 06 31 (SWS)	Female	0.50	1.00	2.00	CuFe/CrNi	Sn
6 000 06 34 (SWS)	Female	0.50	1.00	2.00	CuSn/CrNi	Au
6 000 06 41 (SWS)	Female	> 1.00	1.50	2.40	CuFe/CrNi	Sn
6 010 06 11	Male	0.20	0.35	1.30	CuFe/CrNi	Sn
6 010 06 14	Male	0.20	0.35	1.30	CuSn/CrNi	Au
6 010 06 31	Male	0.50	1.00	2.10	CuFe/CrNi	Sn

SWS: Single Wire Seal

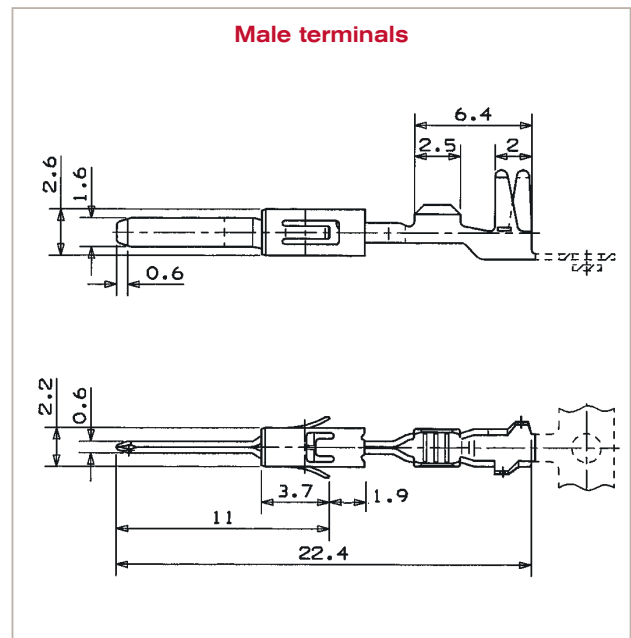
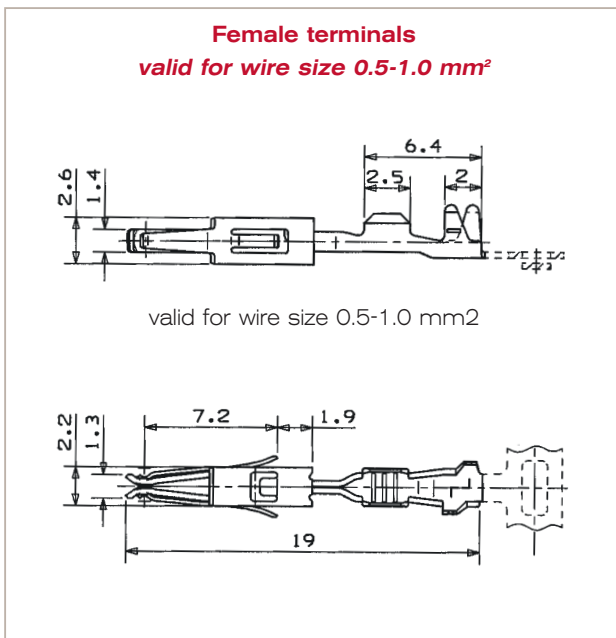
# DCS-2

## 1.5 mm female and male terminals

Part Numbers	Type	Wire size range (in mm <sup>2</sup> )		Insulation Ø (in mm)	Material	Plating
		Min.	Max.	Max.		
6 010 06 34	Male	0.50	1.00	2.10	CuSn/CrNi	Au
6 010 06 41	Male	> 1.00	1.50	2.40	CuFe/CrNi	Sn
6 010 07 11 (SWS)	Male	0.20	0.35	1.60	CuFe/CrNi	Sn
6 010 07 14 (SWS)	Male	0.20	0.35	1.60	CuSn/CrNi	Au
6 010 07 31 (SWS)	Male	0.50	1.00	2.00	CuFe/CrNi	Sn
6 010 07 34 (SWS)	Male	0.50	1.00	2.00	CuSn/CrNi	Au
6 010 07 41 (SW)	Male	> 1.00	1.50	2.40	CuFe/CrNi	Sn

SWS: Single Wire Seal

### Dimensional characteristics



Notes :

---

---

---

---

---

---

---

---

---

---