



# DUAL ENCODER TO USB CONVERTER

## ELECTRONIC MODULES



### Introduction

The Dual Encoder to USB Converter translates encoder position to industry standard USB 2.0 format that can be read by a computer. Each module can handle signals from two encoders. Modules are available for SSI absolute encoders, as well as quadrature incremental encoders.

The module can be programmed through the USB interface for number of bits with absolute encoders. For incremental encoders, count mode (X1, X2, X4), reset, preset, and preset/reset on index are programmable through the USB input. Incremental encoder counter register length is programmable, up to 32 bits. The Encoder to USB Converter is ideal for system setup and debugging, data acquisition and PC based control applications. 3-meter USB cable included.

\*Optional programmable data sample function allows module to automatically capture readings on an accurate time clock. See -S in Ordering Options below.

### SPECIFICATIONS (MODULE)

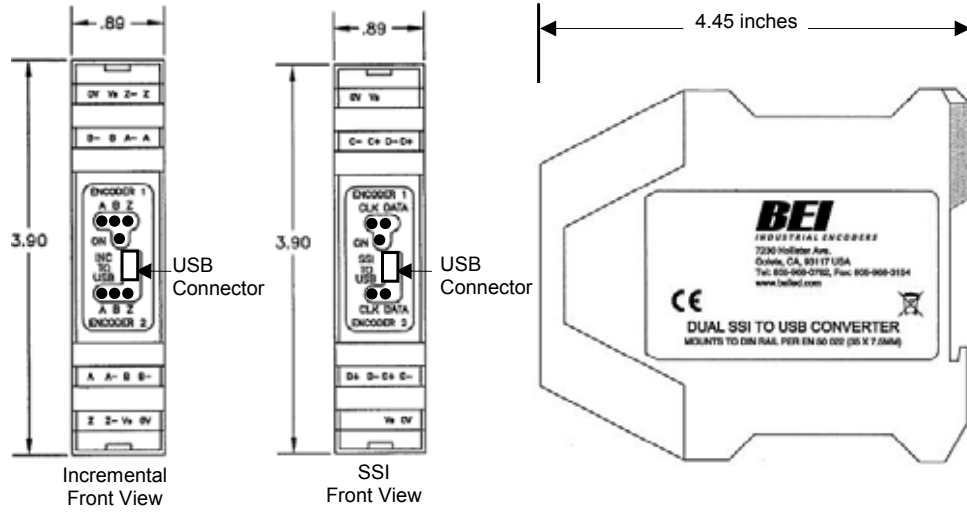
<b>Supply Voltage</b>	5 V ± 5% (powered by USB port)
<b>Supply Current</b>	100 mA Max
<b>Input Devices</b>	2 SSI Absolute or 2 Incremental Encoders
<b>Output Format</b>	USB 2.0
Note: Encoders powered separately by external supply.	
<b>Operating Temperature</b>	0° to 70° C

### SPECIFICATIONS (ENCODER)

<b>SSI Absolute Encoder</b>	
<b>Input Format</b>	Serial Synchronous Interface (SSI)
<b>Clock/Data Signal Levels</b>	Differential TTL (RS-422/485)
<b>Clock Speed</b>	100 kHz
<b># of bits</b>	8 to 32 (programmable)
<b>Incremental Encoder</b>	
<b>Input Format</b>	A/B Quadrature with Index
<b>Signal Levels</b>	5V, 12-15V, 24V (select in model number)
<b>Signal Input Current</b>	10 mA nom.
<b>Input Frequency Response</b>	1.0 MHz Max

# MECHANICAL SPECIFICATIONS

Package dimensions are 114.4 mm high by 99 mm wide by 22.5 mm thick. The package mounts to a DIN rail type EN 50 022 (35mm X 7.5mm). A length of DIN rail is supplied with each module. The module simply snaps directly to the DIN rail and is ready to use.

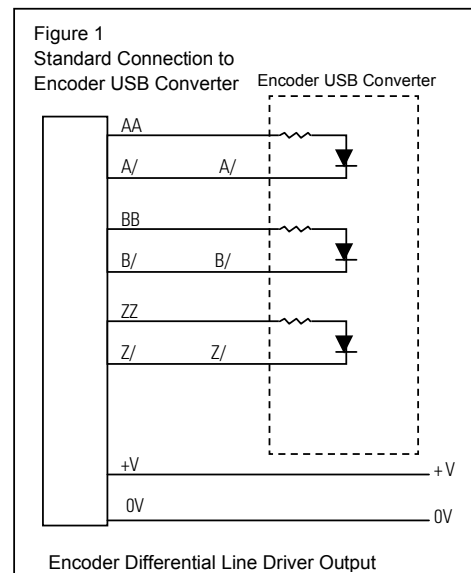
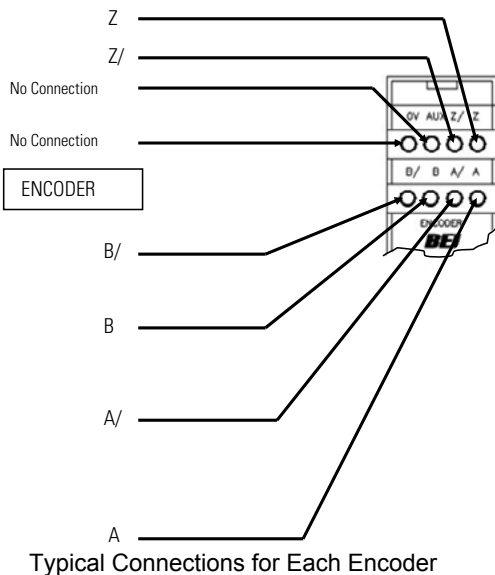


# CONNECTION INSTRUCTIONS #1

## Differential Line Driver

Encoder signals from 5 VDC to 24 VDC (must specify the voltage when ordering)

This is the preferred type of encoder output as it has the best noise immunity. Connect each encoder signal to its like USB Converter input (A to A, A/ to A/, etc).

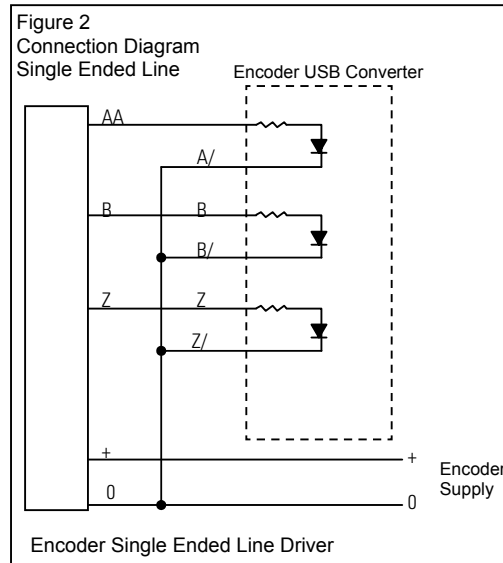
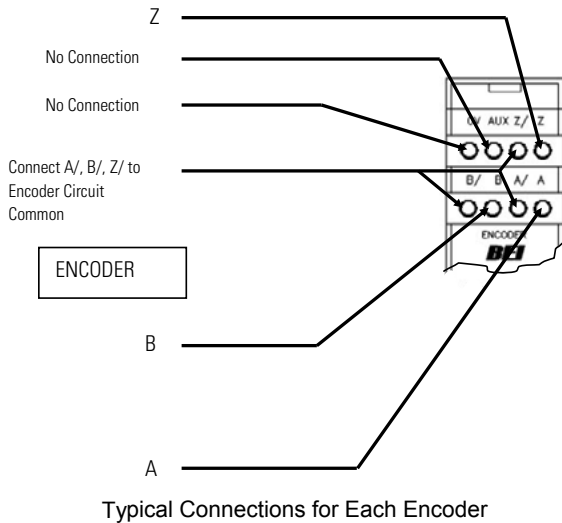


## CONNECTION INSTRUCTIONS #2

### Single Ended Line Driver

Encoder signal from 5 VDC to 24 VDC (must specify the voltage when ordering)

Connect encoder output A to optical isolator module input channel A, B to B and Z to Z. Connect the A/, B/, and Z/ inputs of the optical isolator to circuit common of the encoder supply. Single ended operation is limited to shorter cable runs and is more susceptible to noise.

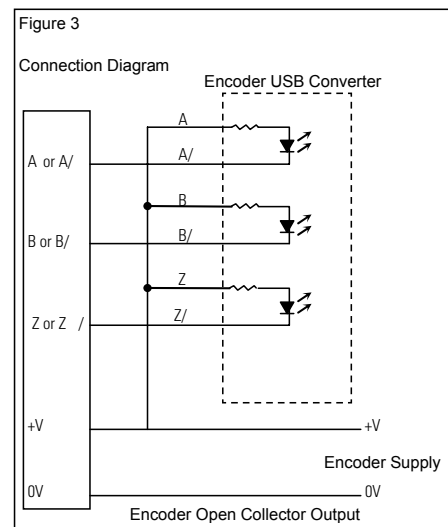
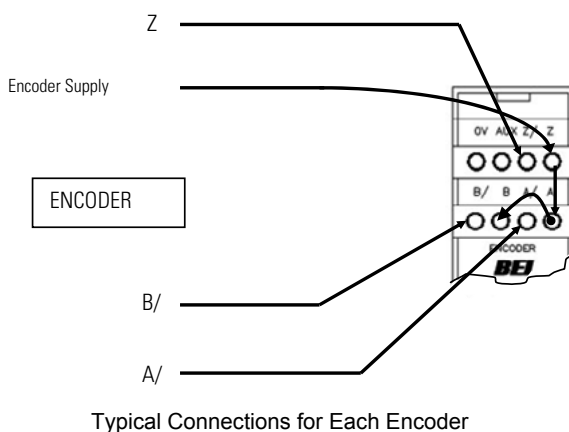


## CONNECTION INSTRUCTIONS #3

### Open Collector with or without Internal Pull-up Resistors

Encoder NPN (sinking) outputs.

Connect encoder output A/ to optical isolator module input A/, B/ to B/ and Z/ to Z/. Connect the A, B, and Z inputs of the optical isolator to the encoder positive supply. Specify the input logic to the module the same as the encoder power supply voltage.



## ADDITIONAL MODULES AND ACCESSORIES

### Encoder Signal Broadcaster Module

Accepts standard incremental encoder inputs and can broadcast up to four encoder signals to four independent devices. Each of the broadcast signals are optically isolated eliminating ground loops.



### Power Supply

With a wide range of acceptable input voltages (AC and DC) this DIN Rail mountable power supply is usable in virtually all industrial applications worldwide. It has built in surge protection to reduce faults due to transients and it has 100% reserve capacity for startup and overload conditions.



### Cable And Cable Assemblies

Cable reels for your own custom wiring requirements or cable assemblies are available, using high quality custom BEI standard cable consisting of four, low capacitance shielded twisted pairs with an overall shield, extra large conductors for power, and signal ground; all within an abrasion-resistant PVC jacket.



#### Cable Reels

100 ft. reel      Part No. 37048-003-100  
500 ft. reel      Part No. 37048-003-500

#### Cable Assemblies

Part Nos. for MS3106F14S-6S Mating Connector  
10 ft. # 31186-1410 | 20 ft. # 31186-1420 | 30ft. # 31186-1430  
Part Nos. for MS3106F16S-1S Mating Connector  
10 ft. # 31186-1610 | 20 ft. # 31186-1620 | 30ft. # 31186-1630  
Part Nos. for MS3106F18S-1S Mating Connector  
10 ft. # 31186-1810 | 20 ft. # 31186-1820 | 30ft. # 31186-1830



## MODULE PINOUT

Absolute Encoder Connections		
PIN	Description	Notes
D	Data	Data Line From encoder
D/	Data/	Data/ Line From encoder
C	Clock	Clock Line From Encoder
C/	Clock/	Clock/ Line From Encoder
V+	+V	+V from external power supply*
0V	0V (Circuit common)	Connect 0V from external power supply

\*Not internally connected in Module

Incremental Encoder Connections		
PIN	Description	Notes
A	Channel A	Channel A Line From Encoder
A/	Channel A/	Channel A/ Line From Encoder
B	Channel B	Channel B Line From Encoder
B/	Channel B/	Channel B/ Line From Encoder
Z	Channel Z	Channel Z Line From Encoder
Z/	Channel Z/	Channel Z/ Line From Encoder
V+	V+	+V from external power supply*
0V	0V (Circuit common)	0V from external power supply*



## MODULE USB COMMANDS

### Absolute Encoder Commands (see page 4)

- Set Data Length of Encoder (8 to 32 bits)
- Read Encoder Position

### General Commands (see page 4)

- Read module Part Number and Serial Number

### Incremental Encoder Commands (see page 3)

- Set Encoder Count Mode, Pulse/Dir, X1, X2, X4 and Counter Width
- Set Encoder Counter to Preset/Zero on Z Channel Trigger
- Set Encoder Counter to Value XXXX
- Read Encoder Counter Value
- Read Encoder Status Flags



## USB COMMUNICATION PROTOCOL

Download the appropriate driver package for your operating system from: <http://www.beisensors.com> and install the USB to serial link drivers. When you plug in the module via the supplied USB cable, you should notice an additional serial port becomes active on your PC (for example, COM3). You can check which port it is by going into the device manager in windows (right-click MyComputer, select Properties, go to Hardware/Device Manager, expand the Ports item.). You can now communicate with the device with any serial communication program (such as HyperTerminal, which comes with Windows). The serial port settings are 115200 baud, 8 data bits, no parity bit, 1 stop bit, no flow control.

The general formats of the commands are as follows: **\$<address><command><Encoder #><data><cr>** Commands that return data will respond according to their command description. Successful commands that do not return data will respond with an ACK: **\*<address>ACK<cr>** Unsuccessful commands will respond with a NACK: **\*<address>NACK<cr>**

The dollar sign (\$) is the start of packet character. The <address> field is a one-character field, which specifies the address of the module that the command is intended for (at this time, only address 0 (zero) is supported). The <command> field specifies the command being sent. All commands contain an <Encoder #> field. Valid encoder values are 1 or 2. The <data> field is any data required by the specific command being sent, if any. The <cr> field is a carriage-return character (0Dh). For this document, commands are designated as UPPER-CASE characters and data fields are designated in lower-case characters.



## INCREMENTAL ENCODER COMMAND SET

### F - Read Encoder Status Flags

This command reads the three encoder status flags: Carry, Borrow and Power-up. The "c" field is the Encoder # (1 to 2). The Carry flag is set whenever a carry rollover occurs (counter rolls from max value to zero) in the quadrature counter. Likewise, the Borrow flag is set whenever a borrow occurs (counter rolls from zero to max value). The Power-up bit is set only upon initial power application to the unit. This can be used to detect loss of power to the unit. Each flag will return a single character (either 0 or 1) representing the current state of the flag. All three flags are reset to zero after the response is sent.

```
Send:          $0Fc<cr>
Success:       *0Fcxx<cr>
Failure:       *0NACK<cr>
Example:       $0F1<cr>
               *0F1101
```

For channel 1, the Carry flag is set, Borrow is cleared, and Power-up is set.

### I - Set Encoder Index Configuration

This command sets the index configuration for each encoder channel. The "c" field is the Encoder # (1 to 2). The index can either be enabled or disabled by sending a 1 or a 0 respectively for data field 'e'. If set to disabled, the <value> field is omitted. If enabled, the <value> field is a number that the counter will be preset to when the index occurs. To zero the counter on index, set this value to 0. The length of the <value> field will depend on the currently selected counter width (see Quadrature Configuration command 'Q'). For an 8, 16, 24 or 32 bit counter the <value> field will be 3, 5, 8 or 10 characters long respectively. Power on default configuration is index disabled.

```
Send:          $0Ice<value><cr>
Success:       *0ACK<cr>
Failure:       *0NACK<cr>
Example:       $0I2100123<cr>
```

Enables encoder channel 2 index, with a preset value of 00123 (setup for 16 bit counter width)

## Q - Set Quadrature Configuration

This command sets the quadrature configuration for each encoder channel. The "c" field is the Encoder # (1 to 2). The "m" field sets the count mode, which can be set to one of four values. A value of 0 is Pulse/Dir mode, where a count pulse is input on input A and count direction is input on input B. Values 1, 2 and 3 are quadrature count modes X1, X2 and X4 respectively. The "w" field sets the counter width. Either 8 bit, 16 bit, 24 bit or 32 bit widths can be selected by sending a value of 0, 1, 2 or 3 respectively. The "s" field sets the counter style. A value of 0 is free running counter a value of 1 is module-n counter (n = current index value from I command). Power on default configuration is quadrature X1, 24 bit, free running counter.

Send:               \$0Qcmws<cr>  
Success:            \*OACK<cr>  
Failure:            \*ONACK<cr>  
Example:            \$0Q131<cr>  
                      Sets channel 1 to quadrature X4 mode, 16 bit width.

## R - Read Encoder Count Value

This command reports back the current count value of the encoder channel. The "c" field is the Encoder # (0\*, 1 to 2). The length of the <value> field will depend on the currently selected counter width (see Quadrature Configuration command 'Q'). For an 8, 16, 24 or 32 bit counter the <value> field will be 3, 5, 8 or 10 characters long respectively.

Send:               \$ORc<cr>  
Success:            \*ORc<value><cr>  
Failure:            \*ONACK<cr>  
Example:            \$OR2<cr>  
                      \*OR200004095<cr>  
                      Reads the current count value of encoder channel 2, which is configured for 24 bits (8 character length).  
                      The reported value is 00004095.

\* If zero is sent as the encoder number, it will perform a read of both encoder channels. Each channel's value will be sent back in the data format specified by the encoder type (quadrature or SSI) with a comma between each data field. In the following example, channels 1 and 2 are quadrature and set for 16 bit, with a count value of 12345 for each.

Example:            \$OR0<cr>  
                      \*OR012345,12345<cr>

## S - Set Encoder Counter Value

This command sets the encoder's counter to a specific value. The "c" field is the Encoder # (1 to 2). The length of the <value> field will depend on the currently selected counter width (see Quadrature Configuration command 'Q'). For an 8, 16, 24 or 32 bit counter the <value> field will be 3, 5, 8 or 10 characters long respectively.

Send:               \$OSc<value><cr>  
Success:            \*OACK<cr>  
Failure:            \*ONACK<cr>  
Example:            \$OS1210<cr>  
                      Sets encoder channel 1 counter to a value of 210, which is configured for 8 bits (3 character length).



## ABSOLUTE ENCODER SSI COMMAND SET

### L - Set SSI Data Read Length

This command sets the expected data length for each attached SSI encoder. Valid data length values are from 08 to 32 bits. "c" is the Encoder # (1 to 2). "p" is the parity select, where a value of 0 = parity off and 1 = parity on. The power-up default value is 12 bit for both encoders.

Send: \$0Lcxxp<cr>  
Success: \*0ACK<cr>  
Failure: \*0NACK<cr>  
Example: \$0L1160<cr>

In this example, the data length for SSI encoder #1 is set to 16 bits, no parity

### R - Read SSI Encoder Data

This command reads each SSI encoder's current position value along with the encoder's parity bit (optional). "c" is the Encoder # (0\*, 1 to 2). The length of the <value> field will depend on the currently selected read length (see 'L' command above). For an 8, 16, 24 or 32 bit read length the <value> field will be 3, 5, 8 or 10 characters long respectively. The "," is a delimiting character and the "p" is the parity bit read from the encoder.

Send: \$0Rc<cr>  
Success: \*0Rc<value>,p<cr>  
Failure: \*0NACK<cr>  
Example: \$0R2<cr>  
\*0R204095,0<cr>

In this example, a read command is sent to encoder #2. A decimal value of 4095 counts, the maximum reading from a 12 bit encoder, is reported back with a parity bit of 0.

\* If zero is sent as the encoder number, it will perform a read of both encoder channels. Each channel's value will be sent back in the data format specified by the encoder type (quadrature or SSI) with a comma between each data field. In the following example channels 1 and 2 are SSI and set for 12 bit no parity, with a value of 4095 for both.

Example: \$0R0<cr> \*0R04095,04095<cr>



## GENERAL COMMAND SET

### V - Read Part Number and Serial Number

This command reads the part number and serial number of the encoder converter. The part number is 13 characters long, while the serial number is 8 characters.

Send: \$0V<cr>  
Success: \*0Vppppppppppppp,ssssssss<cr>  
Failure: \*0NACK<cr>  
Example: \$0V<cr>  
\*0V924-60013-001,HH123456<cr>

In this example, the part number is 924-60013-001 and the serial number is HH123456.

### A – Automatic Data Sample Readings (Special feature)

This command starts the automatic reading of all encoder channels with an accurate timing between readings. Field 'xxxxx' is a five digit number that sets the number of milliseconds between readings (between 5 and 65535mS). Send a '\$' character to stop automatic reading mode. Allow at least 5mS after exiting auto mode before sending another command.

Send: \$0Axxxxx<cr>  
Success: \*0ACK<cr>  
Failure: \*0NACK<cr>  
Example: \$0A00100<cr>  
\*0ACK<cr>  
\*0R012345678,12345678<cr>  
\*0R012345678,12345678<cr> (100mS later)  
\*0R012345678,12345678<cr> (100mS later)

...  
...  
...

In this example, automatic data readings are enabled every 100mS (00100). The ACK is sent back, followed by readings every 100mS until stopped.

These commodities, technology or software if exported from the United States must be in accordance with the Bureau of Industry and Security, Export Administration Regulations. Diversion contrary to U.S. law is prohibited.