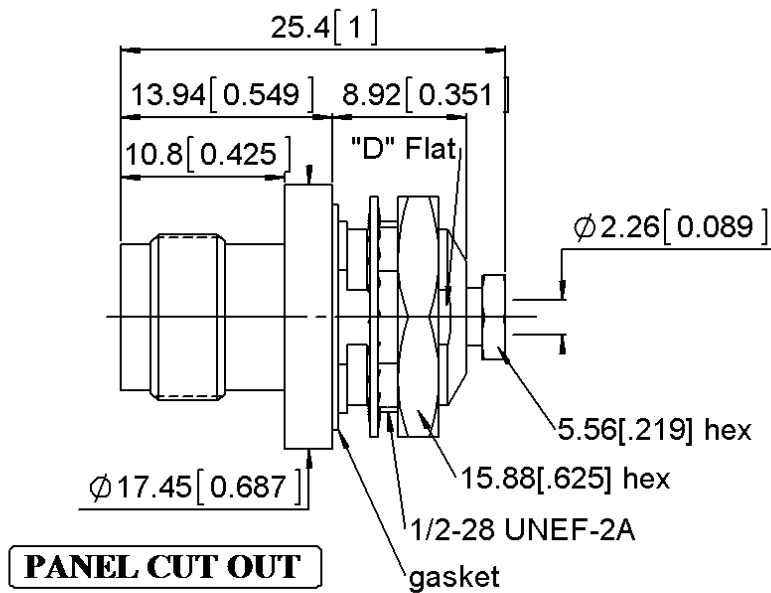
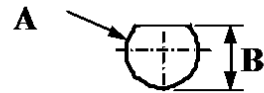


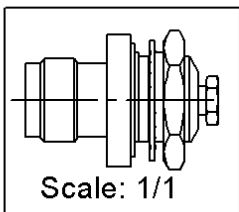
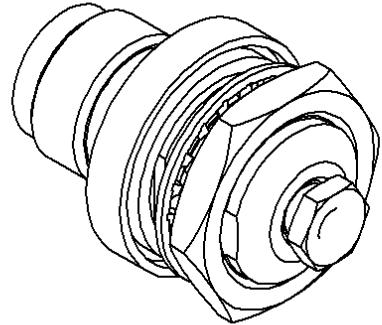
PAGE 1/2	ISSUE 1415 P	SERIES TNC	PART NUMBER 6002-7551-202
----------	--------------	------------	---------------------------



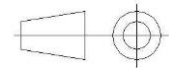
PANEL CUT OUT



mm		
	Maxi	mini
A	12.93	12.83
B	12.07	11.96



All dimensions are in mm.



COMPONENTS	MATERIALS	PLATING (µm)
Body	BRASS.	NICKEL 2.54 OVER COPPER 1.27
Center contact	BERYLLIUM COPPER	GOLD 1.3 OVER NICKEL 2.54
Outer contact		
Insulator	PTFE	
Gasket	SILICONE RUBBER	
Others parts	BRASS, BERYLLIUM COPPER	NICKEL 2.54 OVER COPPER 1.27
-	-	-
-	-	-

PAGE 2/2	ISSUE 1415 P	SERIES TNC	PART NUMBER 6002-7551-202
-----------------	---------------------	-------------------	----------------------------------

PACKAGING

Standard	Unit	Other
1	Contact us	Contact us

ELECTRICAL CHARACTERISTICS

Impedance	50	Ω
Frequency	0-11	GHz
VSWR	1.30 + 0.0000	x F(GHz) Maxi
Insertion loss	.18	\sqrt{F} (GHz) dB Maxi
RF leakage	- (-60)	- F(GHz)) dB Maxi
Voltage rating	335	Veff Maxi
Dielectric withstanding voltage	1500	Veff mini
Insulation resistance	5000	M Ω mini

MECHANICAL CHARACTERISTICS

Center contact retention		
Axial force – Mating End	27	N mini
Axial force – Opposite end	27	N mini
Torque		N.cm mini
Recommended torque		
Mating		N.cm
Panel nut	370	N.cm
Clamp nut	450	N.cm
A/F clamp nut	0.0000	mm
Mating life	500	Cycles mini
Weight	18.9300	g

ENVIRONMENTAL

Operating temperature	-65/+165	$^{\circ}\text{C}$
Hermetic seal		Atm.cm3/s
Panel leakage	IP67	

SPECIFICATION

CABLE ASSEMBLY

Stripping	a	b	c	d	e	f
mm	0	0	0	0	0	0

Assembly instruction: **AIS-296-2B**

Recommended cable(s)

KX 21
RG 178 LC
RG 196
RG 178

Characteristics indicated on this data sheet are those that can be achieved with the highest performance cable. Intrinsic limitations of the cable may diminish the performance of the assembly

Cable retention

- pull off	58	N mini
- torque		N.cm

TOOLING

Part Number	Description	Hexagon
.	.	.

OTHER CHARACTERISTICS

WATERTIGHT TO 20m DEPTH FOR 2 HOURS