

SPECIFICATIONS

ELECTRICAL

RESISTANCE: 5KΩ ±10%
 ELECTRICAL ANGLE: 340° ±2°
 CONTINUITY ANGLE: 355°MIN
 LINEARITY: ±.5% INDEPENDENT
 MINIMUM VOLTAGE: 0.1% MAX
 RESOLUTION: VIRTUALLY INFINITE
 OUTPUT SMOOTHNESS: 0.1% MAX
 RESISTANCE TEMPERATURE COEFFICIENT: 400 PPM/°C MAX
 POWER RATING: 1.0 WATT MAX @ 70°C,
 DERATED TO 0.0 WATT @ 125°C
 WIPER CONTACT CURRENT: 10 MILLIAMPS MAX
 DIELECTRIC STRENGTH: 1000 VRMS @ 60 Hz
 INSULATION RESISTANCE: 100 MEG OHMS @ 500 VDC

MECHANICAL

ROTATION: CONTINUOUS 360°
 WEIGHT: (1 GANG) 1.0 OZ MAX
 MECH BACKLASH: <0.1°
 START TORQUE: 0.25 OZ-IN MAX,
 RUNNING TORQUE: 0.20 OZ-IN MAX
 PILOT RUNOUT: 0.001 T.I.R.
 SHAFT RUNOUT: 0.001 T.I.R.
 SHAFT END PLAY: 0.003 MAX
 SHAFT RADIAL PLAY: 0.001 T.I.R.
 LATERAL RUNOUT: 0.002 T.I.R.

ENVIRONMENTAL

OPERATING TEMPERATURE: -65°C TO +125°C
 ROTATIONAL LIFE: 50 MILLION CYCLES MIN
 DITHER LIFE: 50 MILLION CYCLES @ 60HZ OVER 5°
 SHOCK: SAWTOOTH 100G PEAK PER MIL-STD-202
 METHOD 213, TEST CONDITION I
 VIBRATION: HIGH FREQ; SWEPT 10 - 2000HZ, 15G PEAK
 PER MIL-STD-202 TEST CONDITION B

MATERIALS

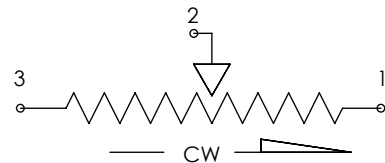
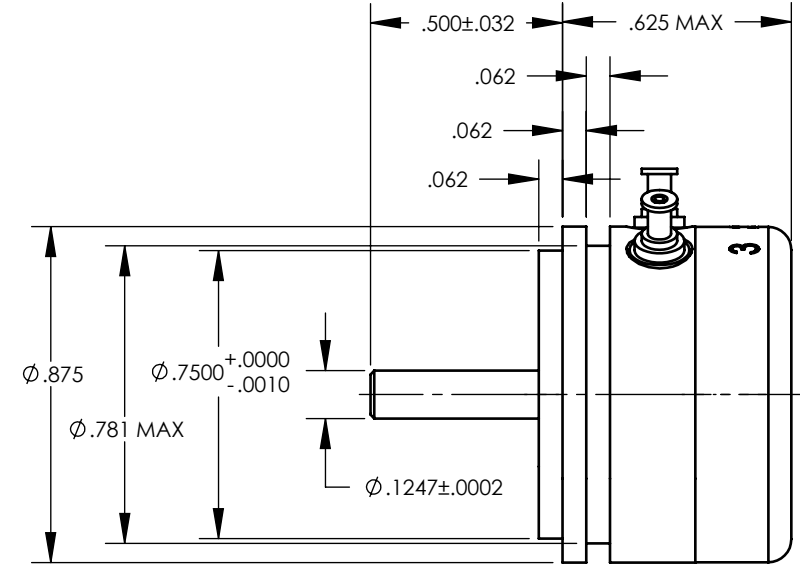
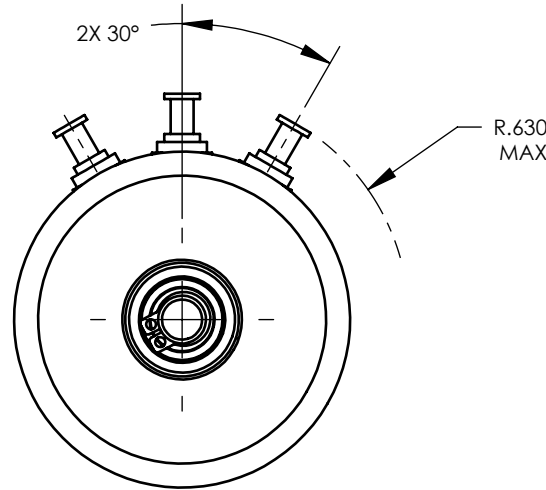
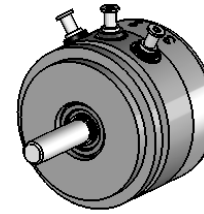
HOUSING AND COVER: ANODIZED ALUMINUM
 SHAFT: PASSIVATED CENTERLESS GROUND SST
 BEARINGS: PRECISION MINIATURE BALL
 ROTOR: BERYLLIUM COPPER
 CONTACTS: MULTI-FINGER PRECIOUS METAL
 ELEMENT: CO-MOLDED CONDUCTIVE PLASTIC
 TERMINALS: GOLD PLATED BRASS

UNLESS OTHERWISE SPECIFIED

ALL ELECTRICAL, MECHANICAL, AND ENVIRONMENTAL SPECIFICATIONS ARE IAW MIL-PRF-39023

CUSTOMER:	CATALOG
CUSTOMER DWG/REV:	

CHANGE HISTORY				
REV	DESCRIPTION	DATE	DRAWN	APPROVED
A	RELEASE	10/7/92		DARB
A1	ECN 3993-SSC	5/29/12		EML
B0	ECN 4677-SSC	8/27/13	JDD	EML



INCREASING FUNCTION VIEWED FROM SHAFT END

PRINTED COPY NOT CONTROLLED: VERIFY CURRENT REVISION

PROPRIETARY AND CONFIDENTIAL
 THE INFORMATION CONTAINED IN THIS DRAWING IS THE SOLE PROPERTY OF MEASUREMENT SPECIALTIES. ANY REPRODUCTION IN PART OR AS A WHOLE WITHOUT THE WRITTEN PERMISSION OF MEASUREMENT SPECIALTIES IS STRICTLY PROHIBITED.

DIMENSIONS ARE IN INCHES TOLERANCES: ANGULAR ±2° TWO PLACE DECIMAL ±.01 THREE PLACE DECIMAL ±.005 FOUR PLACE DECIMAL ±.0005	
MATERIAL	NOTED
FINISH	NOTED
DO NOT SCALE DRAWING	

NAME	DATE
DRAWN D. TREE	10/7/92
CHECKED	
ENG APPR.	
MFG APPR.	
Q.A.	
Information in this box is for Engineering Reference Only	

measurement SPECIALTIES™

POTENTIOMETER

SIZE	CAGE CODE	DWG. NO.
A	5W885	6009-1002-030

SHEET 1 OF 1