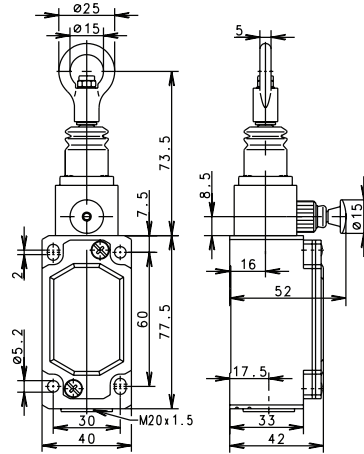


## SIEM and SID Latching with Reset Button

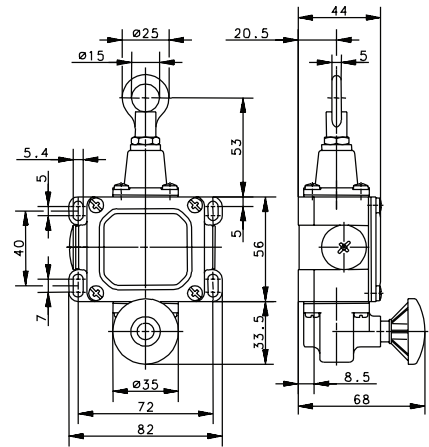


Pull Cable to change contact state, push button to reset

SIEM2 RAST



SID RAST



<p><b>Variant 1</b></p>	<p><b>Article No.</b> <b>Designation</b> Max. span Type</p> <p><b>601.2831.023</b> SIEM2-UV1Z P-RAST 19.6 Ft. (6 Meters) Metal Body with Tension Monitor</p>	<p><b>Article No.</b> <b>Designation</b> Max. span Type</p> <p><b>601.1411.868</b> SD-U1 P-RAST 26.2 Ft. (8 Meters) Metal Body without Tension Monitor</p>
<p><b>Variant 2</b></p>	<p><b>Article No.</b> <b>Designation</b> Max. span Type</p> <p><b>611.1431.060</b> SID-UV1Z P-RAST 49.2 Ft. (15 Meters) Metal Body with Tension Monitor</p>	<p><b>Article No.</b> <b>Designation</b> Max. span Type</p> <p><b>601.1431.869</b> SID-UV1Z P-RAST 39.4 Ft. (12 Meters) Metal Body with Tension Monitor</p>
<p><b>Variant 3</b></p>	<p><b>Article No.</b> <b>Designation</b> Max. span Type</p>	<p><b>Article No.</b> <b>Designation</b> Max. span Type</p> <p><b>601.1431.869</b> SID-UV1Z P-RAST 39.4 Ft. (12 Meters) Metal Body with Tension Monitor</p>

### Technical Information

Maximum Switching Voltage	240V	240V
Maximum Switching Amperage	10A	16A
B10d	On Request	On Request
Mechanical Service Life	1 x 10 <sup>6</sup>	1 x 10 <sup>6</sup>
Switching Frequency	≤ 50/min	≤ 20/min
Operating Temperature	-30 °C to +80 °C	-30 °C to +80 °C
Protection Rating	IP65	IP65
Utilization Category	AC-15, U <sub>e</sub> /I <sub>e</sub> 240 V / 3 A	AC-15, U / I <sub>e</sub> 240 V / 3 A
Rate Insulation Voltage	400VAC	400VAC
Approvals		