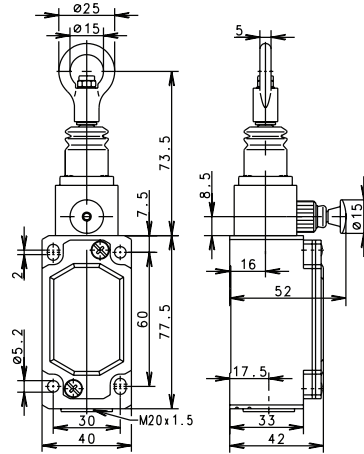


**SIEM and SID Latching with Reset Button**

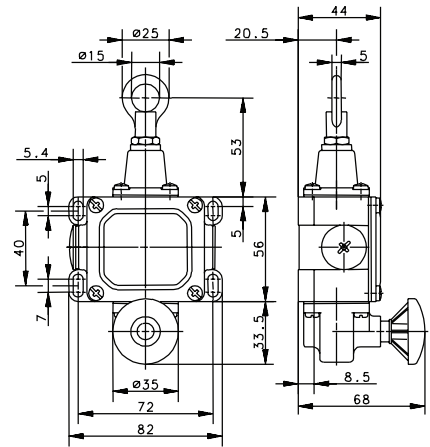


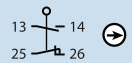
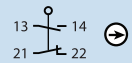


Pull Cable to change contact state, push button to reset

SIEM2 RAST





SID RAST



|                         |   |   |
|-------------------------|---|---|
| <p><b>Variant 1</b></p> | <p><b>Article No.</b><br/><b>Designation</b><br/>Max. span<br/>Type</p> <p><b>601.2831.023</b><br/>SIEM2-UV1Z P-RAST<br/>19.6 Ft. (6 Meters)<br/>Metal Body with<br/>Tension Monitor</p>  | <p><b>601.1411.868</b><br/>SD-U1 P-RAST<br/>26.2 Ft. (8 Meters)<br/>Metal Body without<br/>Tension Monitor</p>     |
| <p><b>Variant 2</b></p> | <p><b>Article No.</b><br/><b>Designation</b><br/>Max. span<br/>Type</p>   | <p><b>611.1431.060</b><br/>SID-UV1Z P-RAST<br/>49.2 Ft. (15 Meters)<br/>Metal Body with<br/>Tension Monitor</p>  |
| <p><b>Variant 3</b></p> | <p><b>Article No.</b><br/><b>Designation</b><br/>Max. span<br/>Type</p>   | <p><b>601.1431.869</b><br/>SID-UV1Z P-RAST<br/>39.4 Ft. (12 Meters)<br/>Metal Body with<br/>Tension Monitor</p>  |

**Technical Information**

|                            |   |   |
|----------------------------|---|---|
| Maximum Switching Voltage  | 240V  | 240V  |
| Maximum Switching Amperage | 10A   | 16A   |
| B10d                       | On Request  | On Request  |
| Mechanical Service Life    | 1 x 10 <sup>6</sup>   | 1 x 10 <sup>6</sup>   |
| Switching Frequency        | ≤ 50/min  | ≤ 20/min  |
| Operating Temperature      | -30 °C to +80 °C  | -30 °C to +80 °C  |
| Protection Rating          | IP65  | IP65  |
| Utilization Category       | AC-15, U <sub>e</sub> / I <sub>e</sub> 240 V / 3 A                                  | AC-15, U / I <sub>e</sub> 240 V / 3 A   |
| Rate Insulation Voltage    | 400VAC  | 400VAC  |
| Approvals                  |  |  |

Drawing dimensions in mm