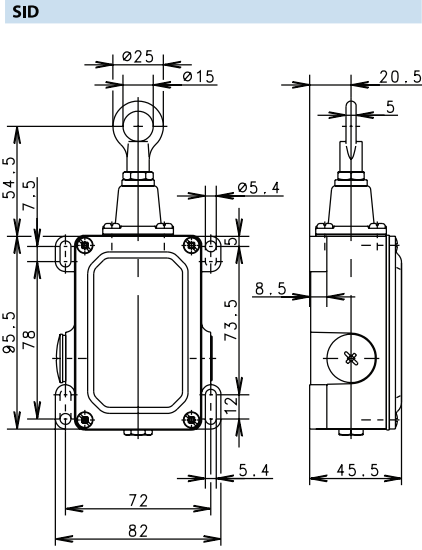
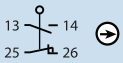


SID Series



Pull Cable to change contact state, release cable to reset



<p>Variant 1</p>	<p>Article No. Designation Max. span Type</p> <p>601.2431.877 SID-UV1 26.2 Ft. (8 Meters) Metal Body with Tension Monitor</p> 
<p>Variant 2</p>	<p>Article No. Designation Max. span Type</p>
<p>Variant 3</p>	<p>Article No. Designation Max. span Type</p>

Technical Information

Maximum Switching Voltage	240V
Maximum Switching Amperage	16A
B10d	On Request
Mechanical Service Life	1 x 10 ⁶
Switching Frequency	≤ 50/min
Operating Temperature	-30 °C to +80 °C
Protection Rating	IP65
Utilization Category	AC-15, U _e /I _e 240 V / 3 A
Rate Insulation Voltage	400VAC
Approvals	