

## Plastic-bodied Rope Pull switch S/Si

Protection class IP 65



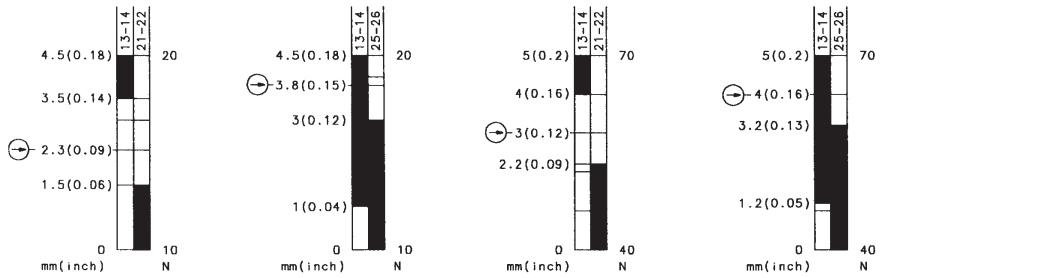
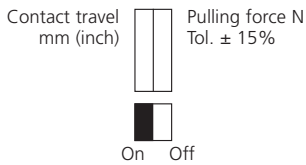
## Metal-bodied Rope Pull switch S/Si

Protection class IP 65



Designation
<b>Part number</b>
Circuit diagram
⊕ Forced disconnect to IEC 947-5-1 chapter 3
Za: not galvanically separated contacts
Zb: galvanically separated contacts
Slow make & break/snap-action
Internal seal (iw)/external seal (w)

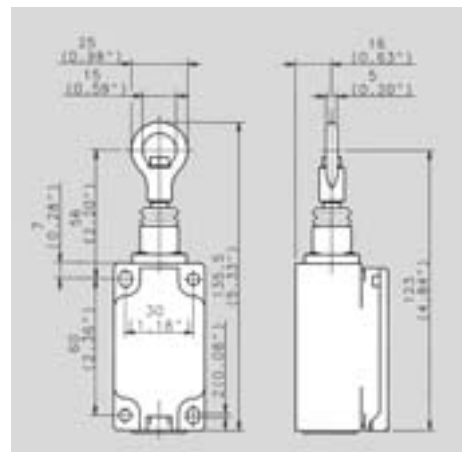
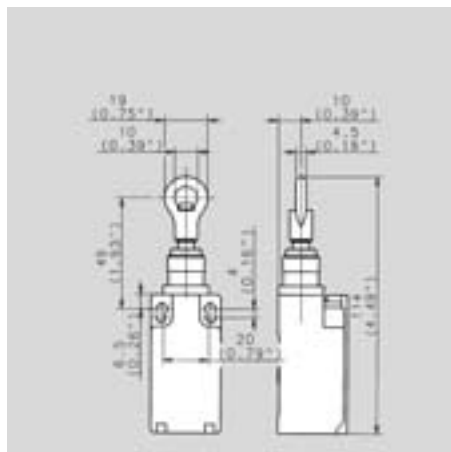
Si-U1Z	SiL-UV1Z	SEK-U1Z	SiEK-UV1Z
<b>601.3812.075</b>	<b>601.3832.076</b>	<b>601.1811.133</b>	<b>601.1831.134</b>
⊕ Zb	⊕ Zb	⊕ Zb	⊕ Zb
●/-	●/-	●/-	●/-
-	-	-	-



Voltage	max.
Permanent current	max.
In-rush current complies with standards	
Switching frequency	max.
Mechanical life – number of switching actions	
Operating temperature	min./max.
Approvals	
Cable entry	
Weight	
Delivery: ex-stock/built to order	

500 V AC	500 V AC	500 V AC	500 V AC
10 A	10 A	10 A	10 A
●	●	●	●
50/min.	50/min.	50/min.	50/min.
1 x 10 <sup>6</sup>	1 x 10 <sup>6</sup>	1 x 10 <sup>6</sup>	1 x 10 <sup>6</sup>
-30 °C/+80 °C	-30 °C/+80 °C	-30 °C/+80 °C	-30 °C/+80 °C
-22 °F/+176 °F	-22 °F/+176 °F	-22 °F/+176 °F	-22 °F/+176 °F
UL, CSA	UL, CSA	BG, UL, CSA	BG, UL, CSA
1 x M 20 x 1.5	1 x M 20 x 1.5	1 x M 20 x 1.5	1 x M 20 x 1.5
0.09 kg/0.20 lb	0.09 kg/0.20 lb	0.17 kg/0.37 lb	0.17 kg/0.37 lb
●/-	●/-	●/-	●/-

All dimensions in mm (inch)





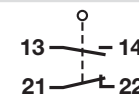
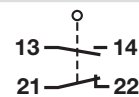
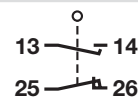
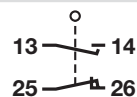
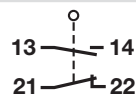
SEM2-U1Z  
601.2811.029

SIEM2-UV1Z  
601.2831.022

SIEM2-UV1Z Rast  
601.2831.023

SD-U1  
601.1411.856

SD-U1  
611.1411.029



⊖ Zb

⊖ Zb

⊖ Zb

-

-

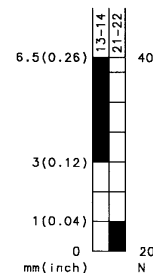
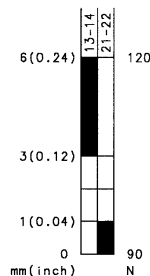
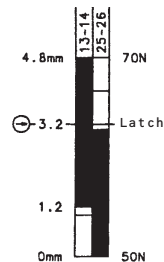
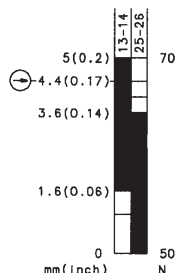
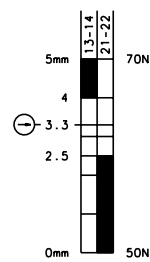
●/-

●/-

-

●/-

●/-



400 V AC  
10 A

400 V AC  
10 A

400 V AC  
10 A

500 V AC  
16 A

500 V AC  
16 A

●

●

●

●

●

50/min.

50/min.

17/min.

50/min.

50/min.

1 x 10<sup>6</sup>

1 x 10<sup>6</sup>

1 x 10<sup>6</sup>

1 x 10<sup>6</sup>

1 x 10<sup>6</sup>

-30 °C/+80 °C

-30 °C/+80 °C

-30 °C/+80 °C

-30 °C/+80 °C

-30 °C/+80 °C

-22 °F/+176 °F

-22 °F/+176 °F

-22 °F/+176 °F

-22 °F/+176 °F

-22 °F/+176 °F

BG, UL, CSA

BG, UL, CSA

BG, UL, CSA

UL, CSA

UL, CSA

1 x M 20 x 1.5

1 x M 20 x 1.5

1 x M 20 x 1.5

2 x M 20 x 1.5

2 x M 20 x 1.5

0.22 kg/0.49 lb

0.22 kg/0.49 lb

0.26 kg/0.57 lb

0.33 kg/0.73 lb

0.33 kg/0.73 lb

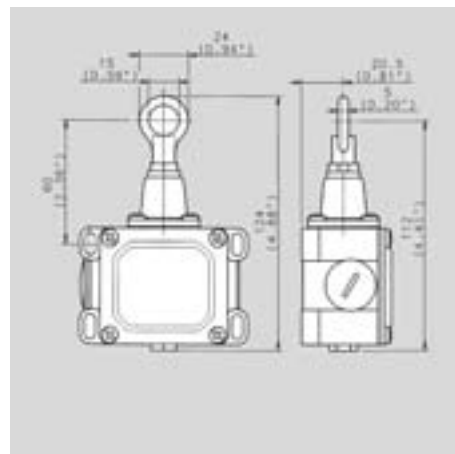
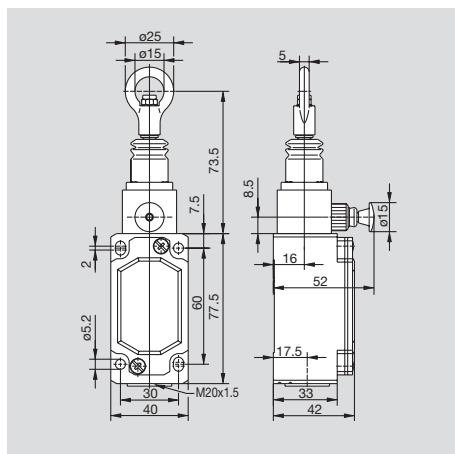
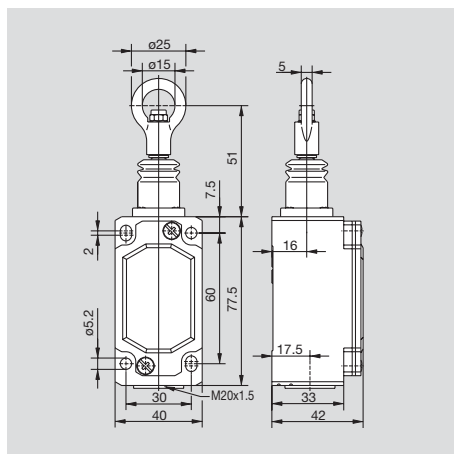
●/-

●/-

●/-

●/-

●/-



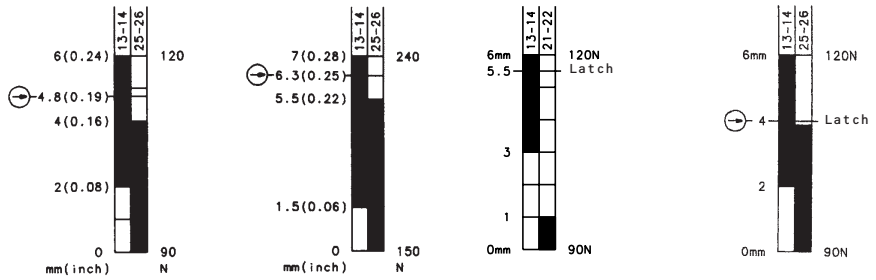
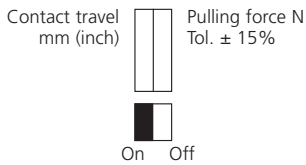
# Metal-bodied Rope Pull switch S/Si

Protection class IP 65



Designation
<b>Part number</b>
Circuit diagram
⊕ Forced disconnect to IEC 947-5-1 chapter 3
Za: not galvanically separated contacts
Zb: galvanically separated contacts
Slow make & break/snap-action
Internal seal (iw)/external seal (w)

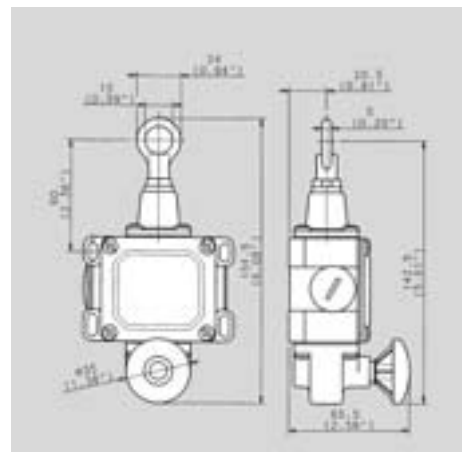
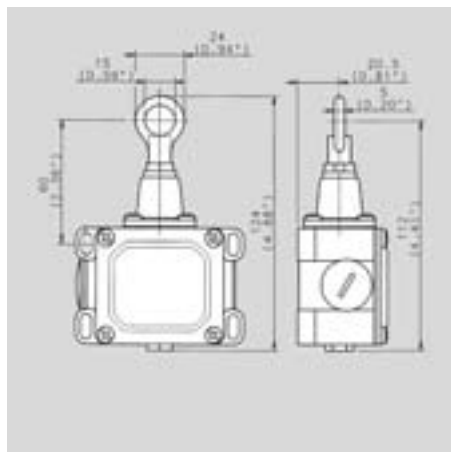
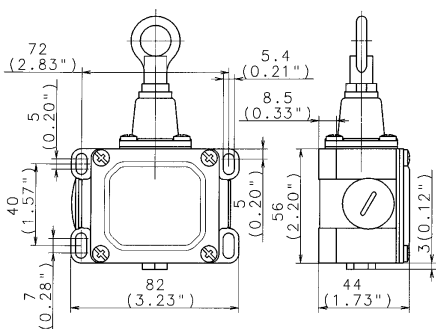
SiD-UV1Z	SiD-UV1Z	SD-U1	SiD-UV1Z Rast
<b>601.1431.857</b>	<b>611.1431.022</b>	<b>601.1411.868</b>	<b>601.1431.869</b>
⊕ Zb	⊕ Zb	-	⊕ Zb
●/-	●/-	●/-	●/-
-	-	●	●



Voltage	max.
Permanent current	max.
In-rush current complies with standards	
Switching frequency	max.
Mechanical life – number of switching actions	
Operating temperature	min./max.
Approvals	
Cable entry	
Weight	
Delivery: ex-stock/built to order	

400 V AC	400 V AC	500 V AC	400 V AC
16 A	16 A	16 A	16 A
●	●	●	●
50/min.	50/min.	20/min.	20/min.
1 x 10 <sup>6</sup>	1 x 10 <sup>6</sup>	1 x 10 <sup>6</sup>	1 x 10 <sup>6</sup>
-30 °C/+80 °C	-30 °C/+80 °C	-30 °C/+80 °C	-30 °C/+80 °C
-22 °F/+176 °F	-22 °F/+176 °F	-22 °F/+176 °F	-22 °F/+176 °F
UL, CSA	UL, CSA	UL, CSA	UL, CSA
2 x M 20 x 1.5	2 x M 20 x 1.5	2 x M 20 x 1.5	2 x M 20 x 1.5
0.33 kg/0.73 lb	0.33 kg/0.73 lb	0.49 kg/1.08 lb	0.49 kg/1.08 lb
●/-	●/-	●/-	●/-

All dimensions in mm (inch)



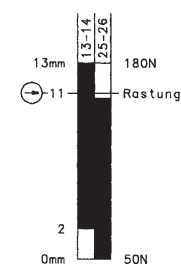
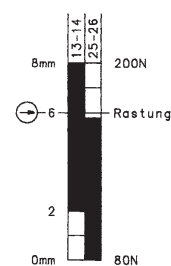
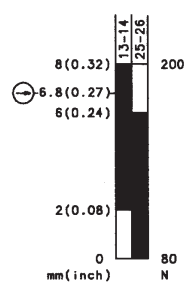
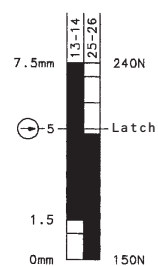
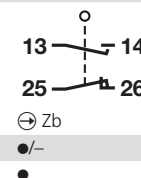
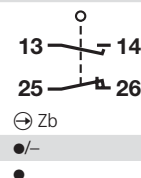
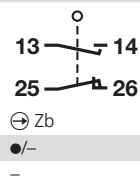
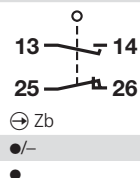


SID-UV1Z Rast  
611.1431.060

SID-UV1Z  
601.2431.877

SID-UV1Z Rast  
601.2431.883

SID-UV1Z Rast  
611.2431.050



400 V AC  
16 A

500 V AC  
16 A

500 V AC  
16 A

500 V AC  
16 A

20/min.  
1 x 10<sup>6</sup>  
-30 °C/+80 °C  
-22 °F/+176 °F

50/min.  
1 x 10<sup>6</sup>  
-30 °C/+80 °C  
-22 °F/+176 °F

20/min.  
1 x 10<sup>6</sup>  
-30 °C/+80 °C  
-22 °F/+176 °F

20/min.  
1 x 10<sup>6</sup>  
-30 °C/+80 °C  
-22 °F/+176 °F

UL, CSA

UL, CSA

UL, CSA

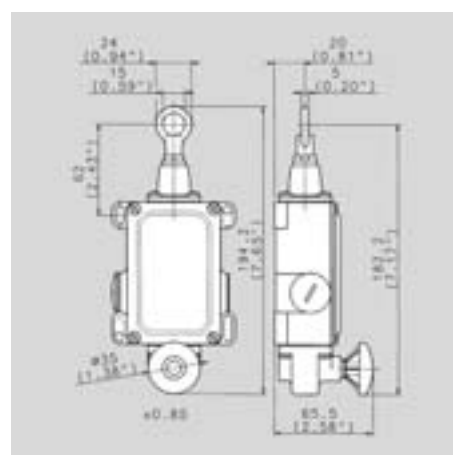
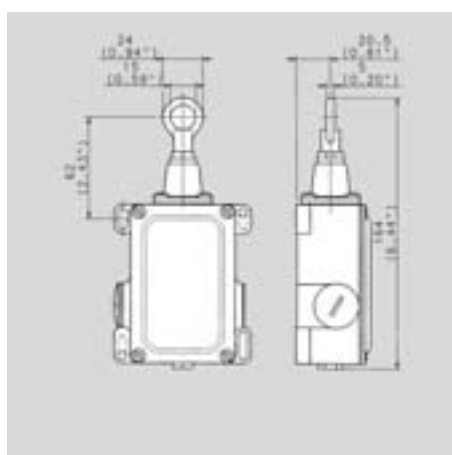
UL, CSA

2 x M 20 x 1.5  
0.53 kg/1.17 lb

2 x M 20 x 1.5  
0.47 kg/1.04 lb

2 x M 20 x 1.5  
0.70 kg/1.54 lb

2 x M 20 x 1.5  
0.64 kg/1.41 lb



# Metal bodied Rope Pull switches S/Si

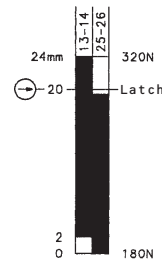
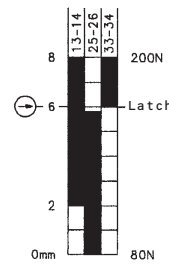
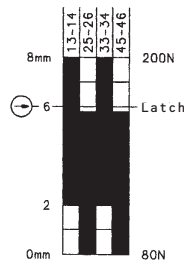
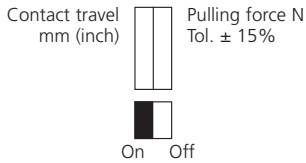
Protection class IP 65



Designation	SiD-UV2Z Rast	SiD-UV1Z/E1 Rast	SiN-UV1Z P-Rast
<b>Part number</b>	<b>601.2441.907</b>	<b>611.2461.041</b>	<b>601.3531.367</b>
Circuit diagram			
⊕ Forced disconnect to IEC 947-5-1 chapter 3			
Za: not galvanically separated contacts			
Zb: galvanically separated contacts			
Slow make & break/snap-action			
Internal seal (iw)/external seal (w)			

●/-	●/-	●/-
●	●	●

●/-	●/-	●/-
●	●	●



Voltage	max.	400 V AC
Permanent current	max.	16 A
In-rush current complies with standards		
Switching frequency	max.	20/min.
Mechanical life – number of switching actions		1 x 10 <sup>6</sup>
Operating temperature	min./max.	-30 °C/+80 °C -22 °F/+176 °F

●	●	●
---	---	---

●	●	●
---	---	---

Approvals	UL, CSA	UL, CSA	UL, CSA
Cable entry	2 x M 20 x 1.5	2 x M 20 x 1.5	2 x M 20 x 1.5
Weight	0.70 kg/1.54 lb	0.70 kg/1.54 lb	1.30 kg/2.87 lb
Delivery: ex-stock/built to order	●/-	●/-	●/-

●/-	●/-	●/-
-----	-----	-----

●/-	●/-	●/-
-----	-----	-----

All dimensions in mm (inch)

