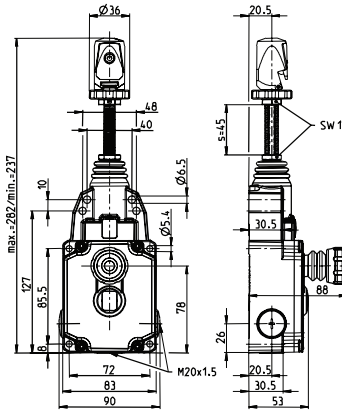


SRM Safety Rope Pull Switches

Max. span length



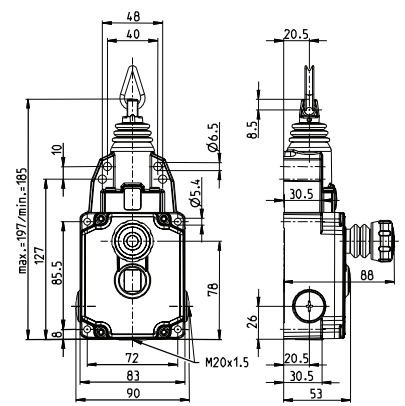
Quick Fix Cable Mounting



2 NC/2 NO

3 NC/1 NO

Cable Ring Cable Mounting



2 NC/2 NO

3 NC/1 NO

123 Ft. (37.5 Meters)

601.2929.085
SRM-U1Z/U1Z-QF-175

601.2999.094
SRM-A2Z/U1Z-QF-175

601.2921.089
SRM-U1Z/U1Z-LU-175

601.2991.098
SRM-A2Z/U1Z-LU-175

246 Ft. (75 Meters)

601.2929.087
SRM-U1Z/U1Z-QF-300

601.2999.096
SRM-A2Z/U1Z-QF-300

601.2921.091
SRM-U1Z/U1Z-LU-300

601.2991.100
SRM-A2Z/U1Z-LU-300

123 Ft. (37.5 Meters)
with remote monitoring

601.2929.086
SRM-U1Z/U1Z-QF-175-E

601.2999.095
SRM-A2Z/U1Z-QF-175-E

601.2921.090
SRM-U1Z/U1Z-LU-175-E

601.2991.099
SRM-A2Z/U1Z-LU-175-E

246 Ft. (75 Meters)
with remote monitoring

601.2929.088
SRM-U1Z/U1Z-QF-300-E

601.2999.097
SRM-A2Z/U1Z-QF-300-E

601.2921.092
SRM-U1Z/U1Z-LU-300-E

601.2991.101
SRM-A2Z/U1Z-LU-300-E

Technical Information

Maximum Switching Voltage
Maximum Switching Amperage
B10d
Mechanical Service Life
Switching Frequency
Operating Temperature
Protection Rating
Utilization Category
Rate Insulation Voltage
Approvals

240V
10A
0.2 Million
1 x 10 ⁵
≤ 20/min
-30 °C to +80 °C
IP67
AC-15, Ue/Ie 240V 3A; 120V/6A DC-13Ue/Ue 250V/0.27A; 125V/0.55A
250VAC



240V
10A
0.2 Million
1 x 10 ⁵
≤ 20/min
-30 °C to +80 °C
IP67
AC-15, Ue/Ie 240V 3A; 120V/6A DC-13Ue/Ue 250V/0.27A; 125V/0.55A
250VAC



Drawing dimensions in mm