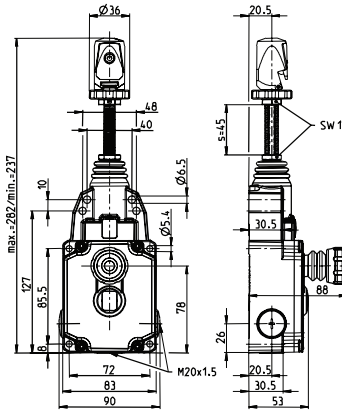


SRM Safety Rope Pull Switches

Max. span length



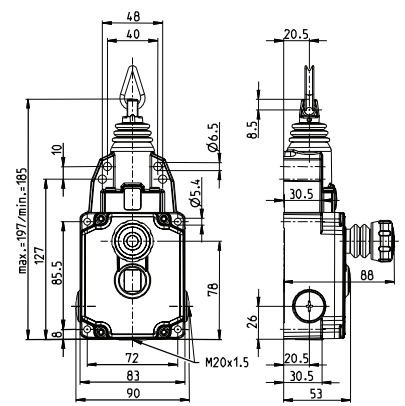
Quick Fix Cable Mounting



2 NC/2 NO

3 NC/1 NO

Cable Ring Cable Mounting



2 NC/2 NO

3 NC/1 NO

123 Ft. (37.5 Meters)

601.2929.085
SRM-U1Z/U1Z-QF-175

601.2999.094
SRM-A2Z/U1Z-QF-175

601.2921.089
SRM-U1Z/U1Z-LU-175

601.2991.098
SRM-A2Z/U1Z-LU-175

246 Ft. (75 Meters)

601.2929.087
SRM-U1Z/U1Z-QF-300

601.2999.096
SRM-A2Z/U1Z-QF-300

601.2921.091
SRM-U1Z/U1Z-LU-300

601.2991.100
SRM-A2Z/U1Z-LU-300

123 Ft. (37.5 Meters)
with remote monitoring

601.2929.086
SRM-U1Z/U1Z-QF-175-E

601.2999.095
SRM-A2Z/U1Z-QF-175-E

601.2921.090
SRM-U1Z/U1Z-LU-175-E

601.2991.099
SRM-A2Z/U1Z-LU-175-E

246 Ft. (75 Meters)
with remote monitoring

601.2929.088
SRM-U1Z/U1Z-QF-300-E

601.2999.097
SRM-A2Z/U1Z-QF-300-E

601.2921.092
SRM-U1Z/U1Z-LU-300-E

601.2991.101
SRM-A2Z/U1Z-LU-300-E

Technical Information

| |
|----------------------------|
| Maximum Switching Voltage |
| Maximum Switching Amperage |
| B10d |
| Mechanical Service Life |
| Switching Frequency |
| Operating Temperature |
| Protection Rating |
| Utilization Category |
| Rate Insulation Voltage |
| Approvals |

| |
|--|
| 240V |
| 10A |
| 0.2 Million |
| 1 x 10 ⁵ |
| ≤ 20/min |
| -30 °C to +80 °C |
| IP67 |
| AC-15, Ue/Ie 240V 3A; 120V/6A DC-13Ue/Ue 250V/0.27A; 125V/0.55A |
| 250VAC |



| |
|--|
| 240V |
| 10A |
| 0.2 Million |
| 1 x 10 ⁵ |
| ≤ 20/min |
| -30 °C to +80 °C |
| IP67 |
| AC-15, Ue/Ie 240V 3A; 120V/6A DC-13Ue/Ue 250V/0.27A; 125V/0.55A |
| 250VAC |



Drawing dimensions in mm