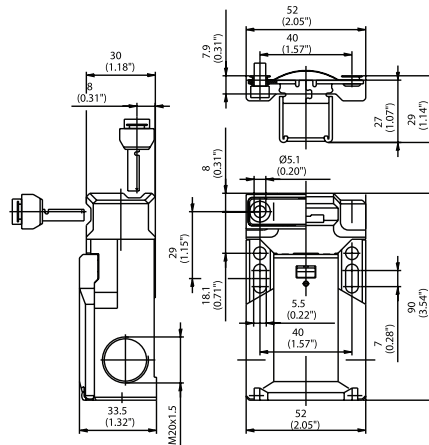


SKC Series

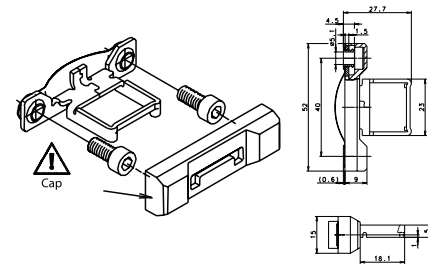
SKC



| Switching Operation | Slow Action | High Activation Force | Radius Activation |
|---|---------------------------------------|---|---|
| 1 NC / 1 NO Contacts | 601.6119.016 SK-U1Z M | 611.6119.109 SK-U1Z F30 M | 601.6119.084 SK-U1Z MRU |
| 1 NC Contacts | - | - | - |
| 2 NC Contacts | 601.6169.036 SK-A2Z M | 601.6169.053 SK-A2Z F30 M | 601.6169.085 SK-A2Z MRU |
| 2 NC / 1 NO Contacts Overlapping | 601.6169.026 SK-UV15Z M | 601.6169.061 SK-UV15Z F30 M | 601.6169.086 SK-UV15Z MRU |

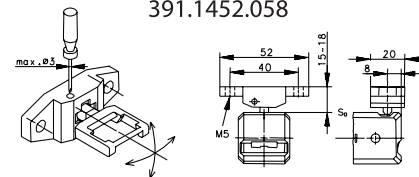
Replacement actuator keys:

M4 ACTUATOR KEY
391.1452.161



6" Minimum Bend Radius

MRU ACTUATOR KEY
391.1452.058



2" Minimum Bend Radius

Technical Information

| | Slow Action | High Activation Force | Radius Activation |
|----------------------------------|----------------------|-----------------------|----------------------|
| Maximum Switching Voltage | 240V | 240V | 240V |
| Max. Switching Amps (up to)* | 10A | 10A | 10A |
| B10d (up to)* | 20 Million | 20 Million | 20 Million |
| Mechanical Service Life (up to)* | 10 x 10 ⁶ | 10 x 10 ⁵ | 10 x 10 ⁶ |
| Switching Frequency | ≤ 30/min | ≤ 30/min | ≤ 30/min |
| Operating Temperature | -30 °C to +80 °C | -30 °C to +80 °C | -30 °C to +80 °C |
| Protection Rating | IP65 | IP65 | IP65 |
| Utilization Category (up to)* | AC-15, Ue/Ue 240V 3A | AC-15, Ue/Ue 240V 3A | AC-15, Ue/Ue 240V 3A |
| Rate Insulation Voltage | 250VAC | 250VAC | 250VAC |

Approvals

* Depending on switching system - see technical information for details



Special features/variants (on request)

- 100 N actuating force on request

Drawing dimensions in mm