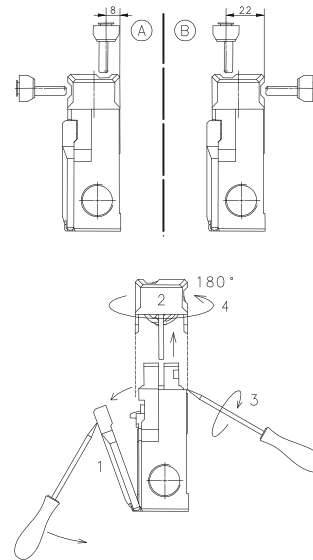
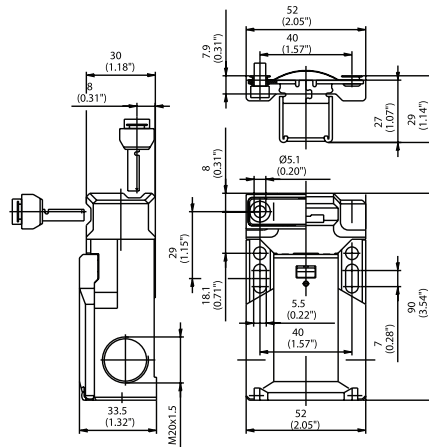


SKC Series

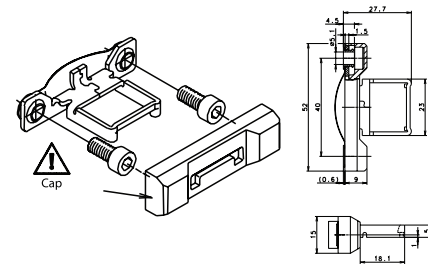
SKC



Switching Operation	Slow Action	High Activation Force	Radius Activation
1 NC / 1 NO Contacts	601.6119.016 SK-U1Z M 	611.6119.109 SK-U1Z F30 M 	601.6119.084 SK-U1Z MRU
1 NC Contacts	-	-	-
2 NC Contacts	601.6169.036 SK-A2Z M 	601.6169.053 SK-A2Z F30 M 	601.6169.085 SK-A2Z MRU
2 NC / 1 NO Contacts Overlapping	601.6169.026 SK-UV15Z M 	601.6169.061 SK-UV15Z F30 M 	601.6169.086 SK-UV15Z MRU

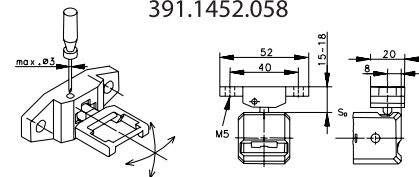
Replacement actuator keys:

M4 ACTUATOR KEY
391.1452.161



6" Minimum Bend Radius

MRU ACTUATOR KEY
391.1452.058



2" Minimum Bend Radius

Technical Information

	Slow Action	High Activation Force	Radius Activation
Maximum Switching Voltage	240V	240V	240V
Max. Switching Amps (up to)*	10A	10A	10A
B10d (up to)*	20 Million	20 Million	20 Million
Mechanical Service Life (up to)*	10 x 10 ⁶	10 x 10 ⁵	10 x 10 ⁶
Switching Frequency	≤ 30/min	≤ 30/min	≤ 30/min
Operating Temperature	-30 °C to +80 °C	-30 °C to +80 °C	-30 °C to +80 °C
Protection Rating	IP65	IP65	IP65
Utilization Category (up to)*	AC-15, Ue/Ue 240V 3A	AC-15, Ue/Ue 240V 3A	AC-15, Ue/Ue 240V 3A
Rate Insulation Voltage	250VAC	250VAC	250VAC

Approvals

* Depending on switching system - see technical information for details



Special features/variants (on request)

- 100 N actuating force on request