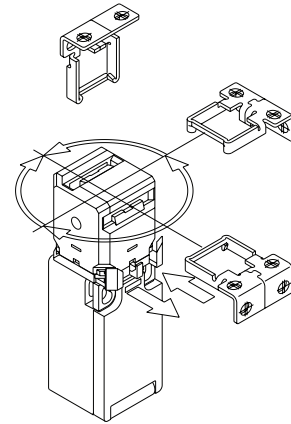
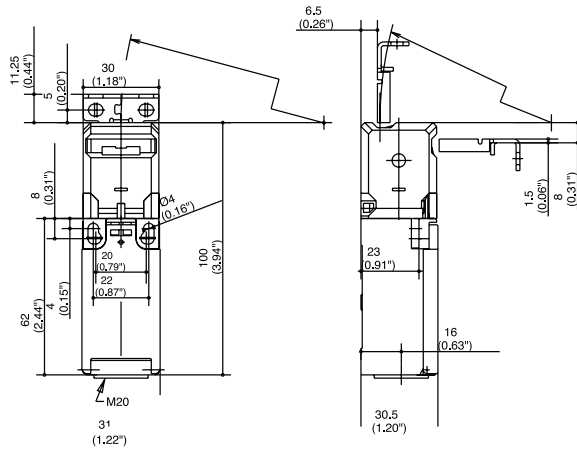


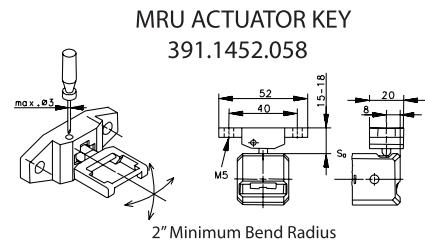
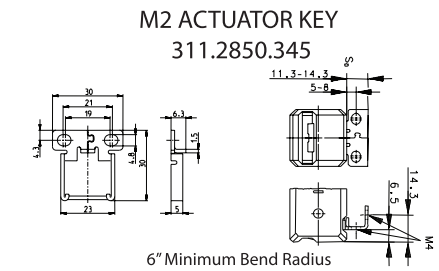
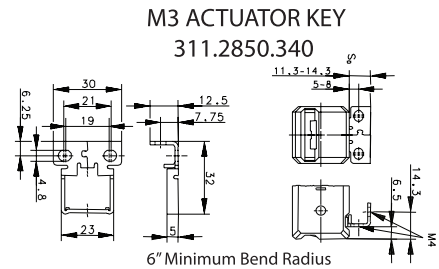
**SKI Series**

**SKI**



Switching Operation	Slow Action	High Activation Force	Radius Activation
<b>1 NC / 1 NO Contacts</b>	<b>601.6819.052</b> SKI-U1Z M3 	<b>601.6819.139</b> SKI-U1Z FI50 M3 	<b>601.6819.123</b> SKI-U1Z MRU 
<b>1 NC Contacts</b>	-	-	-
<b>2 NC Contacts</b>	<b>601.6869.056</b> SKI-A2Z M3 	-	<b>601.6869.122</b> SKI-A2Z MRU 
<b>2 NC / 1 NO Contacts Overlapping</b>	<b>601.6869.058</b> SKI-UV15Z M3 	<b>601.6869.145</b> SKI-UV15Z FI50 M3 	<b>601.6869.131</b> SKI-UV15Z MRU 

**Replacement actuator keys:**



**Technical Information**

	Slow Action	High Activation Force	Radius Activation
Maximum Switching Voltage	240V	240V	240V
Max. Switching Amps (up to)*	10A	10A	10A
B10d (up to)*	20 Million	20 Million	20 Million
Mechanical Service Life (up to)*	10 x 10 <sup>6</sup>	10 x 10 <sup>5</sup>	10 x 10 <sup>6</sup>
Switching Frequency	≤ 30/min	≤ 30/min	≤ 30/min
Operating Temperature	-30 °C to +80 °C	-30 °C to +80 °C	-30 °C to +80 °C
Protection Rating	IP65	IP65	IP65
Utilization Category (up to)*	AC-15, Ue/Ue 240V 3A	AC-15, Ue/Ue 240V 3A	AC-15, Ue/Ue 240V 3A
Rate Insulation Voltage	250VAC	250VAC	250VAC

Approvals

\* Depending on switching system - see technical information for details

