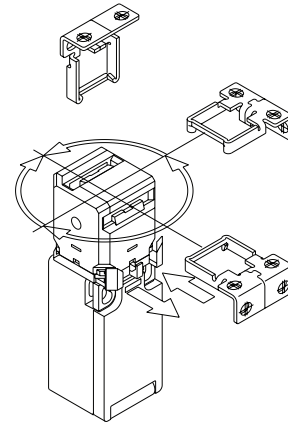
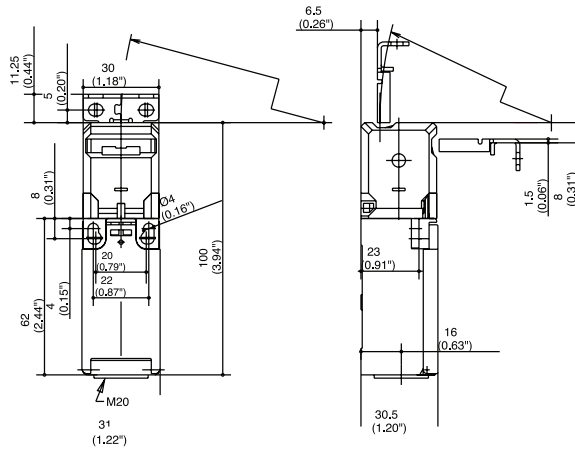


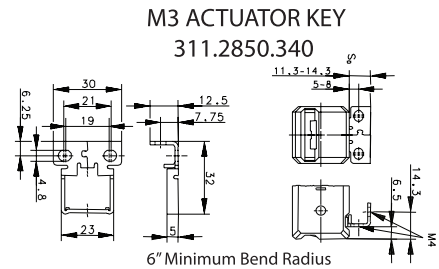
SKI Series

SKI

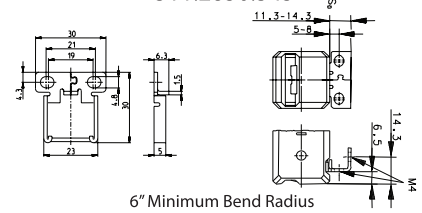


| Switching Operation | Slow Action | High Activation Force | Radius Activation |
|---|---|--|--|
| 1 NC / 1 NO Contacts | 601.6819.052 SKI-U1Z M3 | 601.6819.139 SKI-U1Z FI50 M3 | 601.6819.123 SKI-U1Z MRU |
| 1 NC Contacts | - | - | - |
| 2 NC Contacts | 601.6869.056 SKI-A2Z M3 | - | 601.6869.122 SKI-A2Z MRU |
| 2 NC / 1 NO Contacts Overlapping | 601.6869.058 SKI-UV15Z M3 | 601.6869.145 SKI-UV15Z FI50 M3 | 601.6869.131 SKI-UV15Z MRU |

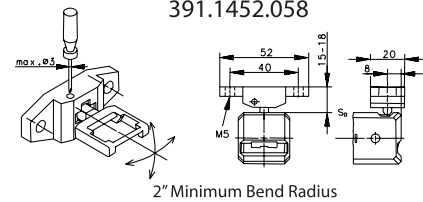
Replacement actuator keys:



M2 ACTUATOR KEY
311.2850.345



MRU ACTUATOR KEY
391.1452.058



Technical Information

| | Slow Action | High Activation Force | Radius Activation |
|----------------------------------|----------------------|-----------------------|----------------------|
| Maximum Switching Voltage | 240V | 240V | 240V |
| Max. Switching Amps (up to)* | 10A | 10A | 10A |
| B10d (up to)* | 20 Million | 20 Million | 20 Million |
| Mechanical Service Life (up to)* | 10 x 10 ⁶ | 10 x 10 ⁵ | 10 x 10 ⁶ |
| Switching Frequency | ≤ 30/min | ≤ 30/min | ≤ 30/min |
| Operating Temperature | -30 °C to +80 °C | -30 °C to +80 °C | -30 °C to +80 °C |
| Protection Rating | IP65 | IP65 | IP65 |
| Utilization Category (up to)* | AC-15, Ue/Ue 240V 3A | AC-15, Ue/Ue 240V 3A | AC-15, Ue/Ue 240V 3A |
| Rate Insulation Voltage | 250VAC | 250VAC | 250VAC |

Approvals

* Depending on switching system - see technical information for details

