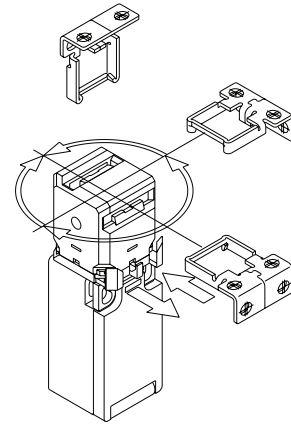
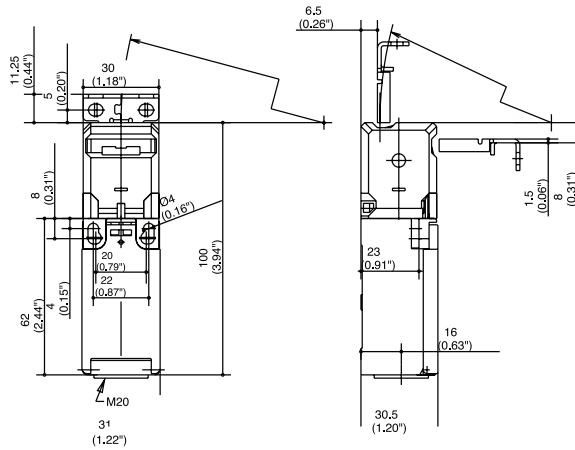


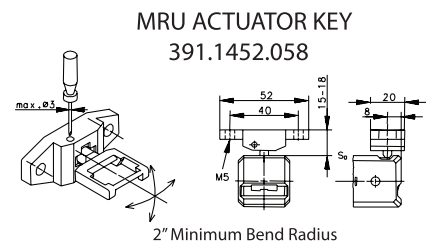
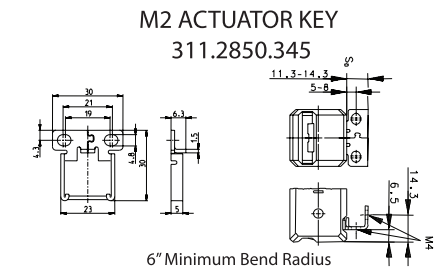
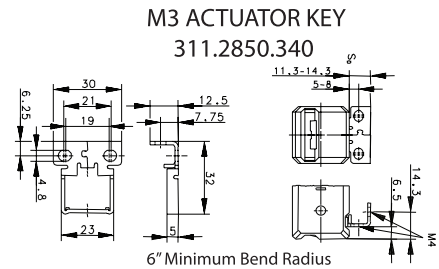
SKI Series

SKI



Switching Operation	Slow Action	High Activation Force	Radius Activation
1 NC / 1 NO Contacts	601.6819.052 SKI-U1Z M3 	601.6819.139 SKI-U1Z FI50 M3 	601.6819.123 SKI-U1Z MRU
1 NC Contacts	-	-	-
2 NC Contacts	601.6869.056 SKI-A2Z M3 	-	601.6869.122 SKI-A2Z MRU
2 NC / 1 NO Contacts Overlapping	601.6869.058 SKI-UV15Z M3 	601.6869.145 SKI-UV15Z FI50 M3 	601.6869.131 SKI-UV15Z MRU

Replacement actuator keys:



Technical Information

	Slow Action	High Activation Force	Radius Activation
Maximum Switching Voltage	240V	240V	240V
Max. Switching Amps (up to)*	10A	10A	10A
B10d (up to)*	20 Million	20 Million	20 Million
Mechanical Service Life (up to)*	10 x 10 ⁶	10 x 10 ⁵	10 x 10 ⁶
Switching Frequency	≤ 30/min	≤ 30/min	≤ 30/min
Operating Temperature	-30 °C to +80 °C	-30 °C to +80 °C	-30 °C to +80 °C
Protection Rating	IP65	IP65	IP65
Utilization Category (up to)*	AC-15, Ue/Ue 240V 3A	AC-15, Ue/Ue 240V 3A	AC-15, Ue/Ue 240V 3A
Rate Insulation Voltage	250VAC	250VAC	250VAC

Approvals

* Depending on switching system - see technical information for details

