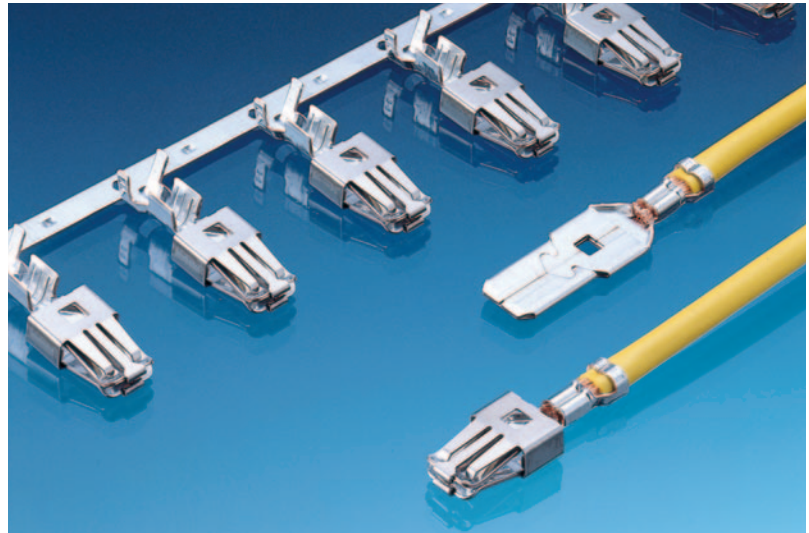


DCS-1

9.5 mm female and male terminals

Features

- DCS-1 technology
- 12.0 mm pitch for unsealed applications
- 12.5 mm pitch for sealed application with single wire seal
- Auxiliary steel spring in CrNi
- High current carrying capacity (up to 75 A at +23°C)
- Protected contact springs
- Compatible with single wire sealing
- Silver-plated versions possible



Performance characteristics*

- Contact resistance: < 3 mΩ
- Contact mating force: < 21 N
- Contact unmating force: < 15 N
- Current carrying capacity with 10 mm² wire:

at 23°C up to approx.:	75 A
at 85°C up to approx.:	50 A
at 100°C up to approx.:	40 A

* Mated with 9.5 x 1.2 mm DCS-1 male terminal (Sn)

Packing

- No. of terminals per reel: Consult us
- No. of reels per packing: Consult us

Tooling

- Manual crimping tool: Consult us
- Mini applicator: Consult us

Part Numbers	Type	Wire size range (in mm ²)		Insulation Ø (in mm) Max.	Material	Plating
		Min.	Max.			
6 007 02 51	Female	2.50	4.00	3.70 (FLRY wire)	CuCrSiTi/CrNi	Sn
6 007 02 61	Female	> 4.00	6.00	4.30 (FLRY wire)	CuCrSiTi/CrNi	Sn
6 007 02 71	Female	> 6.00	10.00	6.40 (FLRY wire)	CuCrSiTi/CrNi	Sn
6 017 02 51	Male	2.50	4.00	3.70 (FLRY wire)	CuSn	Sn
6 017 02 61	Male	> 4.00	6.00	4.30 (FLRY wire)	CuSn	Sn
6 017 02 71	Male	> 6.00	10.00	6.40 (FLRY wire)	CuSn	Sn



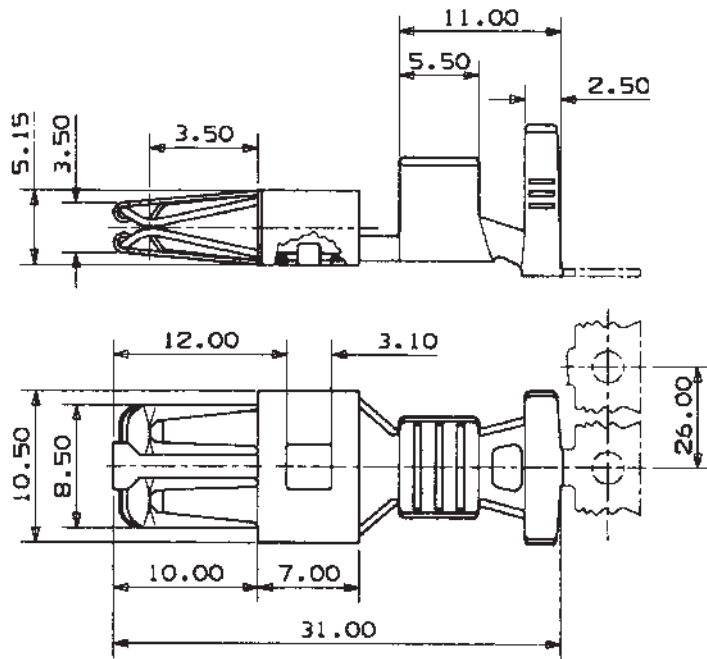
DCS-1

9.5 mm female and male terminals

Dimensional characteristics

Notes :

Female terminals



Male terminals

