

# HIRSCHMANN MOBILITY

# CELLULAR (2G/3G/4G) Outdoor Antenna



**CEL 8026 BASE**  
Pt no.  
**602-456-001**

- With bracket for fix mast and wall mount
- Directional radiation
- Vertical polarization

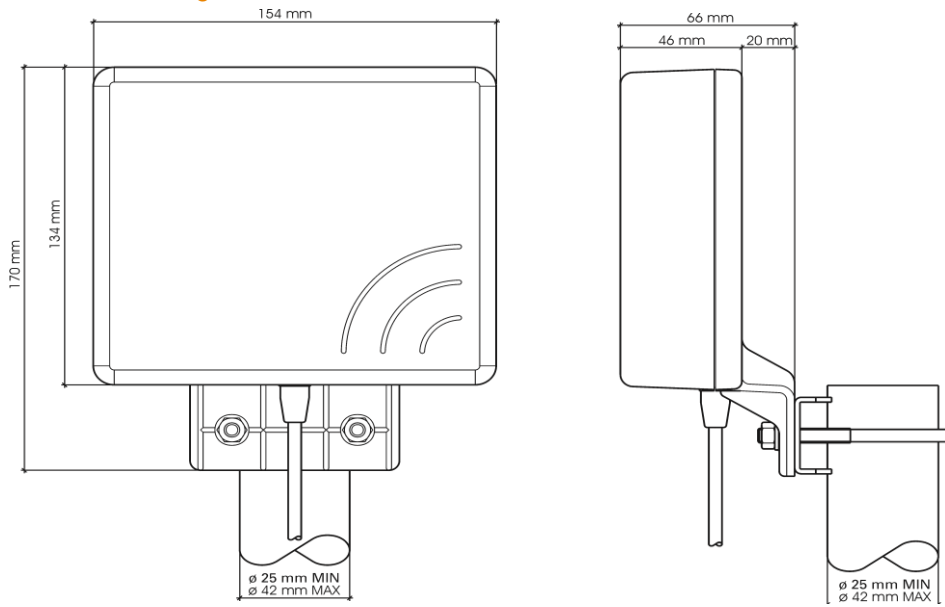
Subject to alterations

## Technical data

Dimensions	approx.	154 x 134 x 46 mm (without bracket)
Weight	approx.	500 g
Housing and Radome Materials		RAL 7035 Light Grey thermoplastic UV Stabilized
Wind Load (Resistance)		40 N at 150 Km/h, max. 180 Km/h
Wind Surface		0.02 m <sup>2</sup>
Installation Type	Mast:	Ø 25-42 mm with U-bolt (included)
	Wall:	mounting screw (not included)
Temperature range		-40 – +80° C
Protection class		IP64 (acc. IEC 60529)
<b>Cellular</b>		
Frequency range	LTE 800 + GSM 900:	790 - 960 MHz
	GSM 1800:	1710 - 1880 MHz
	UMTS:	1920 - 2170 MHz
	WLAN + LTE (high):	2300 - 2700 MHz
Impedance		50 Ohm
Polarization		linear vertical
Gain	LTE 800 + GSM 900:	6-7 dBi* @ 790 - 960 MHz
	GSM 1800:	9 dBi* @ 1710 - 1880 MHz
	UMTS:	9 dBi* @ 1920 - 2170 MHz
	WLAN + LTE (high):	8-9 dBi* @ 2300 - 2700 MHz
Half Power Beam Width		see Typical Radiation Patterns
Front to back ratio	LTE 800 + GSM 900:	12 dB @ 790 - 960 MHz
	GSM 1800:	16 dB @ 1710 - 1880 MHz
	UMTS:	20 dB @ 1920 - 2170 MHz
	WLAN + LTE (high):	10 dB @ 2300 - 2700 MHz
Max Power @ 30°C	LTE 800 + GSM 900:	30 Watts (CW) @ 790 - 960 MHz
	GSM 1800:	15 Watts (CW) @ 1710 - 1880 MHz
	UMTS:	10 Watts (CW) @ 1920 - 2170 MHz
	WLAN + LTE (high):	10 Watts (CW) @ 2300 - 2700 MHz
Lightning protection		DC-ground
Return loss (VSWR)		≤ 2
Radiator Type		Dipol Panel Reflector
Cable type		50 Ohm low loss
Cable length		5000 mm
Connector		SMA male

\* dBi: referenced to an isotropic radiator

**Technical drawings**



**Installation**

