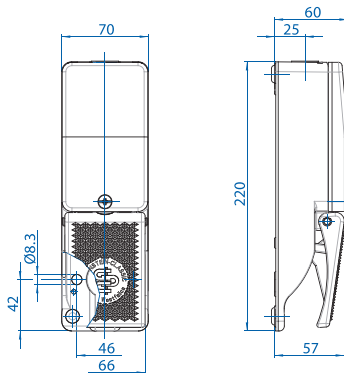


Single Pedal Without Cover

STANDARD



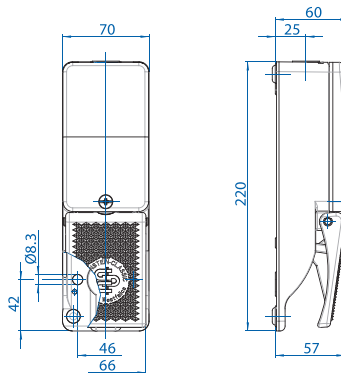
Standard OFF-ON Operation - Push pedal to change contact state. Release pedal to return to original state.



STANDARD with IP67 & IP68 PROTECTION



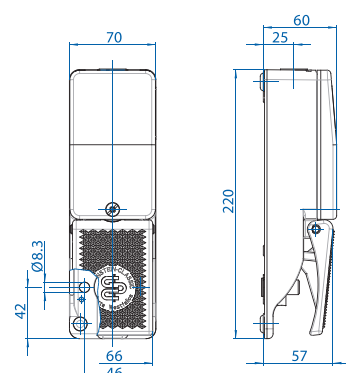
Standard OFF-ON Operation - Push pedal to change contact state. Release pedal to return to original state. With IP67 & IP68 Protection Rating (Temporary Submersion).



TWO STAGE OPERATION



Two Stage Operation- Press Pedal to change the state of the first set of contacts. Continue to press further to change the second set of contacts.



Single pedal foot switch F1			
Article number	Designation	Switching contacts	
Snap-action contact:			
			Pedal 1
606.1300.011	F1-SU1Z	1NC / 1NO	
606.1400.061	F1-SU2Z	2NC / 2NO	
Slow-action contact:			
			Pedal 1
616.1100.005	F1-U1Z	1NC / 1NO	
606.1200.003	F1-U2Z	2NC / 2NO	

Single pedal foot switch F1			
Article number	Cable Entry	Designation	Switching contacts
Slow-action contact (IP 67):			
			Pedal 1
616.1100.469	1 x M20	F1-U1Z	1NC / 1NO
616.1100.469	3 x M20	F1-U1Z	1NC / 1NO
Slow-action contact (IP 68):			
			Pedal 1
616.1100.251	1 x M20	F1-U1Z	1NC / 1NO

Single pedal foot switch F1			
Article number	Designation	Switching contacts	Pressure point
Slow-action contact:			
			Pedal 1
606.1200.007	F1-U2ZD	2NC / 2NO	200 N

Single Pedal Without Cover

LATCHING

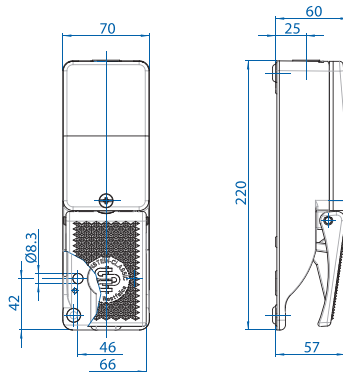
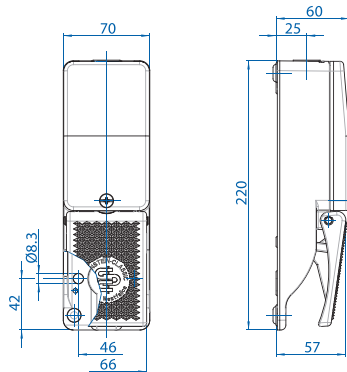


Latching Operation - Push pedal to change contact state. When you release the pedal, the contacts remain in that state. Push again to return to original state.

ANALOG OUTPUT



Analog Output Operation - As the pedal is depress, voltage or amperage (depending on model) is increase. Features an additional programmable NP NO signaling contact that activates at a preset level.



Single pedal foot switch F1		
Article number	Designation	Switching contacts
		Pedal 1
616.1000.676	F1-A2Y	2NC
606.1100.001	F1-U1Y	1NC / 1NO

Single pedal foot switch F1		
Article number	Designation	Output Range
616.1500.723	F1-AU0-5	0 - 5 V
616.1500.724	F1-AU0-10	0 - 5 V
616.1500.725	F1-AI0-20	0 - 20 mA
616.1500.726	F1-AI4-20	4 - 20 mA