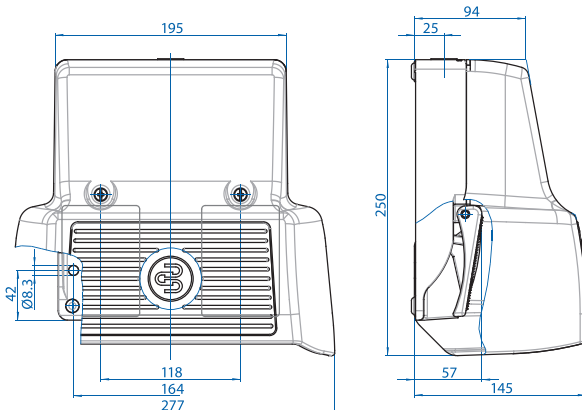


**Double Pedal with Cover**

**STANDARD**



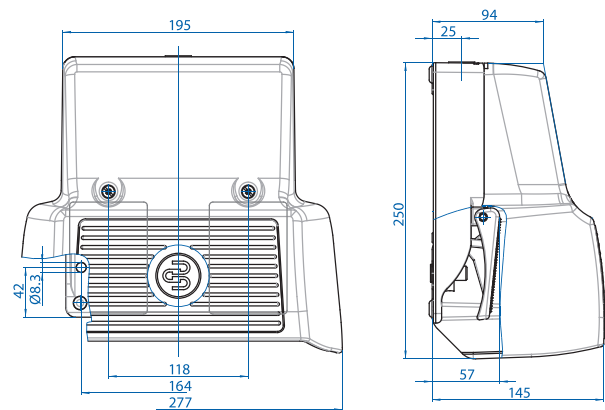
Standard OFF-ON Operation-  
Push pedal to change contact state. Release pedal to return to original state.



**TWO STAGE OPERATION**



Two Stage Operation-  
Press Pedal to change the state of the first set of contacts. Continue to press further to change the second set of contacts.



**Two pedal foot switch F2**

Article number	Designation	Switching contacts	Special feature
<b>Snap-action contact:</b>			
		Pedal 1 (left)    Pedal 2 (right)	
606.2830.022	F2-SU1Z/SU1Z UN	1NC / 1NO	1NC / 1NO Prot. shroud UN
606.2940.066	F2-SU2Z/SU2Z UN	2NC / 2NO	2NC / 2NO Prot. shroud UN
<b>Slow-action contact:</b>			
		Pedal 1 (left)    Pedal 2 (right)	
606.2610.014	F2-U1Z/U1Z UN	1NC / 1NO	1NC / 1NO Prot. shroud UN
606.2720.016	F2-U2Z/U2Z UN	2NC / 2NO	2NC / 2NO Prot. shroud UN

**Two pedal foot switch F2**

Article number	Designation	Switching contacts	Two Stage Operation
<b>Snap-action contact:</b>			
		Pedal 1 (left)    Pedal 2 (right)	
616.2000.418	F2-SU1Z/SU2ZD UN	1NC / 1NO    2NC / 2NO	(Pedal 2)
606.2830.417	F2-SU1ZD/SU1ZD UN	1NC / 1NO    1NC / 1NO	(Pedal1+Pedal 2)
616.2000.503	F2-SU4ZD/SU4ZD UN	4NC / 4NO    4NC / 4NO	(Pedal 1+Pedal 2)
<b>Slow-action contact:</b>			
616.2610.253	F2-U1ZD/U1Z UN	1NC / 1NO    1NC / 1NO	(Pedal 1)
606.2620.086	F2-U1Z/U2ZD UN	1NC / 1NO    2NC / 2NO	(Pedal 2)
606.2720.020	F2-U2ZD/U2ZD UN	2NC / 2NO    2NC / 2NO	(Pedal 1+Pedal 2)
606.2710.376	F2-U2ZD/U1Z UN	2NC / 2NO    1NC / 1NO	(Pedal 1)

Drawing dimensions in mm