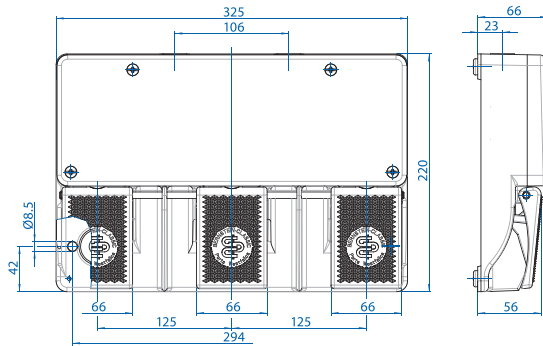


**Triple Pedal**

**STANDARD WITHOUT COVER**



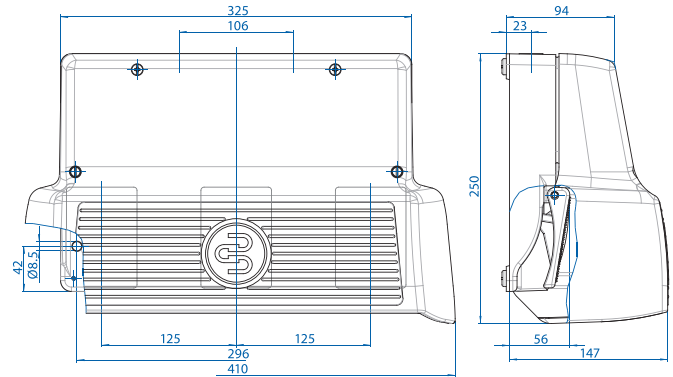
Standard OFF-ON Operation-  
Push pedal to change contact state. Release pedal to return to original state.



**STANDARD WITH COVER**



Standard OFF-ON Operation-  
Push pedal to change contact state. Release pedal to return to original state.



**Three pedal foot switch F3**

Article number	Designation	Switching contacts
<b>Snap-action contact:</b>		
		Pedal 1 (left)    Pedal 2 (middle)    Pedal 3 (right)
<b>616.3444.577</b>	F3-SU2Z/SU2Z/SU2Z	2NC / 2NO    2NC / 2NO    2NC / 2NO
<b>Slow-action contact:</b>		
		Pedal 1 (left)    Pedal 2 (middle)    Pedal 3 (right)
<b>606.3111.025</b>	F3-U1Z/U1Z/U1Z	1NC / 1NO    1NC / 1NO    1NC / 1NO

**Three pedal foot switch F3**

Article number	Designation	Switching contacts
<b>Snap-action contact:</b>		
		Pedal 1 (left)    Pedal 2 (middle)    Pedal 3 (right)
<b>606.3833.045</b>	F3-SU1Z/SU1Z/SU1Z UN	1NC / 1NO    1NC / 1NO    1NC / 1NO
<b>Slow-action contact:</b>		
		Pedal 1 (left)    Pedal 2 (middle)    Pedal 3 (right)
<b>606.3611.026</b>	F3-U1Z/U1Z/U1Z UN	1NC / 1NO    1NC / 1NO    1NC / 1NO