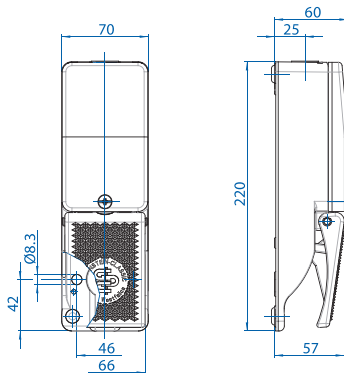


**Single Pedal Without Cover**

**STANDARD**



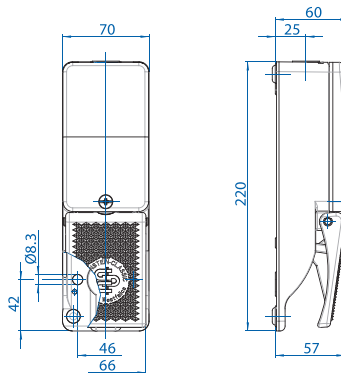
Standard OFF-ON Operation - Push pedal to change contact state. Release pedal to return to original state.



**STANDARD with IP67 & IP68 PROTECTION**



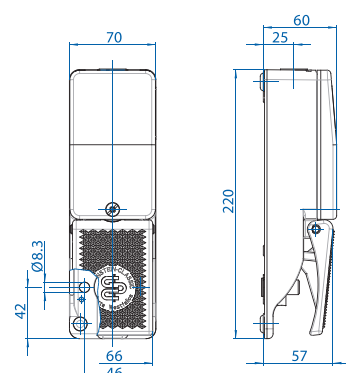
Standard OFF-ON Operation - Push pedal to change contact state. Release pedal to return to original state. With IP67 & IP68 Protection Rating (Temporary Submersion).



**TWO STAGE OPERATION**



Two Stage Operation- Press Pedal to change the state of the first set of contacts. Continue to press further to change the second set of contacts.



| Single pedal foot switch F1 |             |                    |         |
|-----------------------------|-------------|--------------------|---------|
| Article number              | Designation | Switching contacts |         |
| <b>Snap-action contact:</b> |             |                    |         |
|                             |             |                    | Pedal 1 |
| 606.1300.011                | F1-SU1Z     | 1NC / 1NO          |         |
| 606.1400.061                | F1-SU2Z     | 2NC / 2NO          |         |
| <b>Slow-action contact:</b> |             |                    |         |
|                             |             |                    | Pedal 1 |
| 616.1100.005                | F1-U1Z      | 1NC / 1NO          |         |
| 606.1200.003                | F1-U2Z      | 2NC / 2NO          |         |

| Single pedal foot switch F1         |             |             |                    |
|-------------------------------------|-------------|-------------|--------------------|
| Article number                      | Cable Entry | Designation | Switching contacts |
| <b>Slow-action contact (IP 67):</b> |             |             |                    |
|                                     |             |             | Pedal 1            |
| 616.1100.469                        | 1 x M20     | F1-U1Z      | 1NC / 1NO          |
| 616.1100.469                        | 3 x M20     | F1-U1Z      | 1NC / 1NO          |
| <b>Slow-action contact (IP 68):</b> |             |             |                    |
|                                     |             |             | Pedal 1            |
| 616.1100.251                        | 1 x M20     | F1-U1Z      | 1NC / 1NO          |

| Single pedal foot switch F1 |             |                    |                |
|-----------------------------|-------------|--------------------|----------------|
| Article number              | Designation | Switching contacts | Pressure point |
| <b>Slow-action contact:</b> |             |                    |                |
|                             |             |                    | Pedal 1        |
| 606.1200.007                | F1-U2ZD     | 2NC / 2NO          | 200 N          |

## Single Pedal Without Cover

### LATCHING

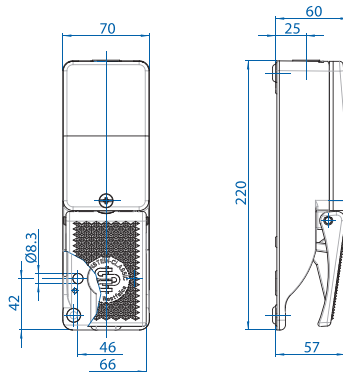
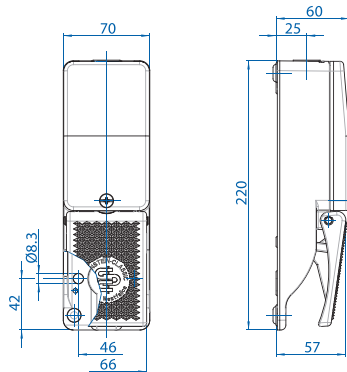


Latching Operation - Push pedal to change contact state. When you release the pedal, the contacts remain in that state. Push again to return to original state.

### ANALOG OUTPUT



Analog Output Operation - As the pedal is depress, voltage or amperage (depending on model) is increase. Features an additional programmable NP NO signaling contact that activates at a preset level.



| Single pedal foot switch F1 |             |                    | Single pedal foot switch F1 |             |              |
|-----------------------------|-------------|--------------------|-----------------------------|-------------|--------------|
| Article number              | Designation | Switching contacts | Article number              | Designation | Output Range |
|                             |             | Pedal 1            | <b>616.1500.723</b>         | F1-AU0-5    | 0 - 5 V      |
| <b>616.1000.676</b>         | F1-A2Y      | 2NC                | <b>616.1500.724</b>         | F1-AU0-10   | 0 - 5 V      |
| <b>606.1100.001</b>         | F1-U1Y      | 1NC / 1NO          | <b>616.1500.725</b>         | F1-AI0-20   | 0 - 20 mA    |
|                             |             |                    | <b>616.1500.726</b>         | F1-AI4-20   | 4 - 20 mA    |