

DCR

Radial Leaded Super Capacitors



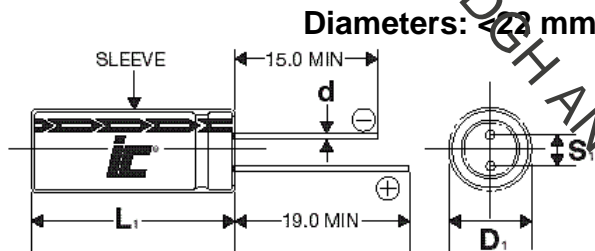
FEATURES

Very fast charge/discharge – High power density – IEC 62391 compliant – Circuit board mountable

APPLICATIONS

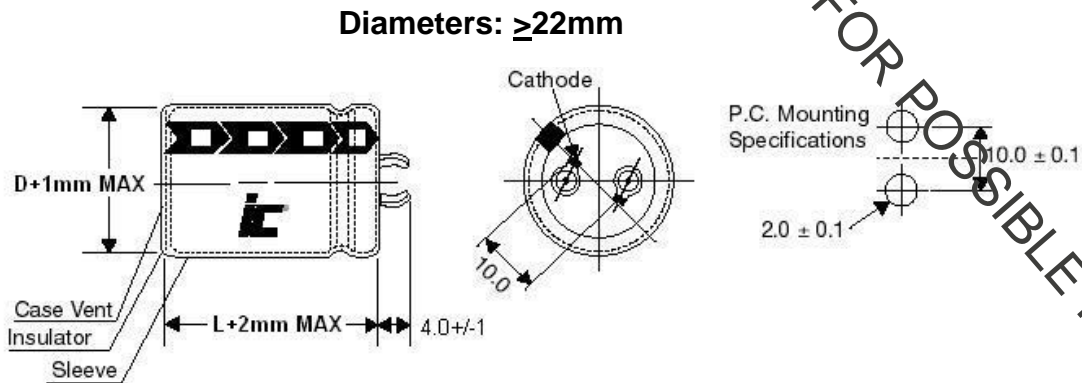
Battery backup/ alternative – Pulse power – Energy harvesting – LED Displays – Mechanical actuators – Audio systems

Operating Temperature Range	-25°C to +70°C	
Capacitance Tolerance	-20%/+50% @ 20°C	
Voltage	WVDC	2.3
	SVDC	2.5
Maximum Current	See standard part listing	1 second discharge to ½ WVDC
Leakage Current	See standard part listing	72 hours, 25°C
Endurance	1000 hours at rated voltage and 70°C	
	Capacitance Change	±30% of initially measured values
	ESR	≤200% of initially specified values
Life Cycles (25°C) 1 cycle= Charge to WVDC for 20s, constant voltage charging for 10s, discharge to ½ WVDC for 20s, rest for 10 s	25,000 cycles	
	Capacitance Change	±30% of initially measured values
	ESR	≤200% of initially specified values



D	10	16	18
S	5.0	7.5	7.5
d	0.6	0.8	0.8

$L_1 = L (<20\text{mm} + 1.5\text{mm}) (\geq 20\text{mm} + 2.0\text{mm})$
 $D_1 = D (<20\text{mm} + 0.5\text{mm}) (\geq 20\text{mm} + 1.0\text{mm})$
 $S_1 = S \pm 0.5\text{mm}$



Americas / EU
 Phone: 1-508-996-8561
 Email: cdena@cde.com



Asia
 Phone: 852-2793-0931
 Email: cdeasia@cde.com

DCR

Radial Lead, High energy

WVDC	Capacitance (F)	IC PART NUMBER	MAX Current (A)	ESR AC 1 kHz (mΩ)	DC ESR (mΩ) 20°C	Max stored energy (mWh)	LC (mA), (72 hrs)	Specific Energy Gravimetric Density (wh/kg)	Specific Energy Volumetric Density (wh/l)	Specific Power Gravimetric Density (kw/kg)	Specific Power Volumetric Density (kw/l)	Weight (grams)	Volume (mL)	Dims DxL (mm)	Lead Spacing (mm)
2.3	10.0	106DCR2R35GU	2.3	220	400	7.3472	0.05	3.6736	4.6774	0.794	1.0103	2	1.5708	10x20	5
2.3	22.0	226DCR2R35ST	5.34	120	170	16.1639	0.065	4.6852	6.5858	1.082	1.5214	3.45	2.4544	12.5x20	5
2.3	30.0	306DCR2R35D	5.95	100	160	22.0417	0.085	5.8004	7.1845	1.044	1.2932	3.8	3.068	12.5x25	5
2.3	50.0	506DCR2R35KV	9.58	60	100	36.7361	0.11	5.248	7.3084	0.9069	1.2629	7	5.0265	16x25	7.5
2.3	70.0	706DCR2R35KY	11.58	50	85	51.4306	0.15	6.1593	7.3084	0.894	1.0613	8.35	7.0372	16x35	7.5
2.3	120.0	127DCR2R35LZ	15.68	35	65	88.1667	0.4	5.44	8.6618	0.603	0.9595	16.2	10.179	18x40	7.5
2.3	220.0	227DCR2R35NI	23.61	25	45	161.1639	0.9	6.4656	9.0472	0.5643	0.7896	25	17.866	22x47	10
2.3	400.0	407DCR2R35DG	41.82	20	25	293.8889	2	4.432	9.2393	0.3829	0.7983	66.31	31.809	30x45	10
2.3	600.0	607DCR2R35DZ	53.08	15	20	440.8333	4	6.5649	10.394	0.473	0.7484	67.15	42.412	30x60	10
2.3	800.0	807DCR2R35EK	70.77	10	15	587.7778	7.2	7.9926	8.7275	0.5755	0.6284	73.54	67.348	35x70	10