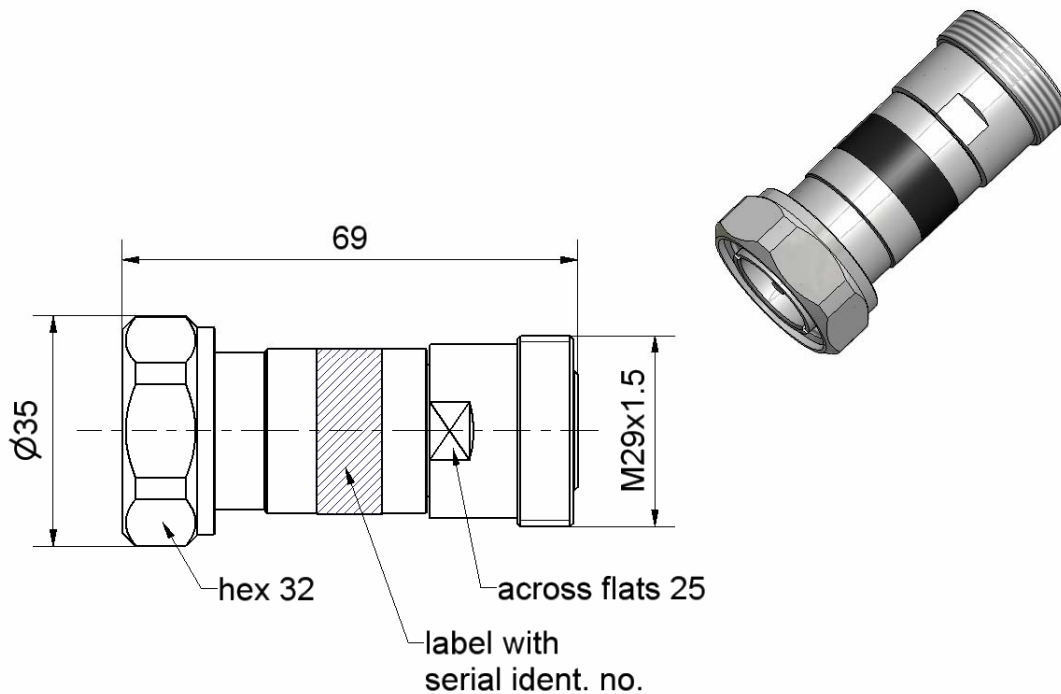


7/16
50Ω

ATTENUATOR PLUG/JACK

60AS105-K03N1



All dimensions are in mm; tolerances according to ISO 2768 m-H

Interface

According to IEC 60169-4, VG 95250, EN 122190, DIN 47223

Documents

N/A

Material and plating

Connector parts

	Material	Plating
Center contact - plug	Brass	Silver, 3-6 µm
Center contact - jack	Beryllium copper	Silver, 3-6 µm
Outer contact	Brass	Flash white bronze over silver(e.g. Optargen®)
Body	Brass	Flash white bronze over silver(e.g. Optargen®)
Coupling nut	Brass	Flash white bronze over silver(e.g. Optargen®)
Dielectric	PPE	
Substrate	ALN	

7/16
50Ω

ATTENUATOR PLUG/JACK

60AS105-K03N1

Electrical data

Impedance	50 Ω
Frequency	DC to 8 GHz
Return loss	≥ 30.7 dB, DC to 1 GHz ≥ 26.4 dB, 1 GHz to 2 GHz ≥ 20.0 dB, 2 GHz to 8 GHz
Attenuation	3 dB
Tolerances	≤ ± 0.3 dB, DC to 2 GHz ≤ ± 0.4 dB, 2 GHz to 4 GHz ≤ ± 0.8 dB, 4 GHz to 8 GHz
Center contact resistance	≤ 4.0 mΩ
Outer contact resistance	≤ 1.5 mΩ
Power handling	5 W at 25°C derated linearity to 0 Watts at 125°C

Mechanical data

Mating cycles	min. 500
Coupling nut retention	≥ 1000 N
Center contact captivation	≥ 200 N
Coupling test torque	max. 35 Nm
Recommended torque	25 Nm to 30 Nm

Environmental data

Temperature range	-65°C to +85°C
2002/95/EC (RoHS)	compliant

Tooling

N/A

Suitable cables

N/A

Packing

Standard	1 pce in bag
Weight	222 g/pce

While the information has been carefully compiled to the best of our knowledge, nothing is intended as representation or warranty on our part and no statement herein shall be construed as recommendation to infringe existing patents. In the effort to improve our products, we reserve the right to make changes judged to be necessary.

Draft	Date	Approved	Date	Rev.	Engineering change number	Name	Date
Kerstin Herzog	23/03/05	Frank Weiß	10/06/08	d00	08-0348	Kerstin HobraK	11/06/08
Rosenberger Hochfrequenztechnik GmbH & Co. KG P.O.Box 1260 D-84526 Tittmoning Germany www.rosenberger.de					Tel.: +49 8684 18-0 Fax: +49 8684 18-499 email: info@rosenberger.de		Page 2 / 2