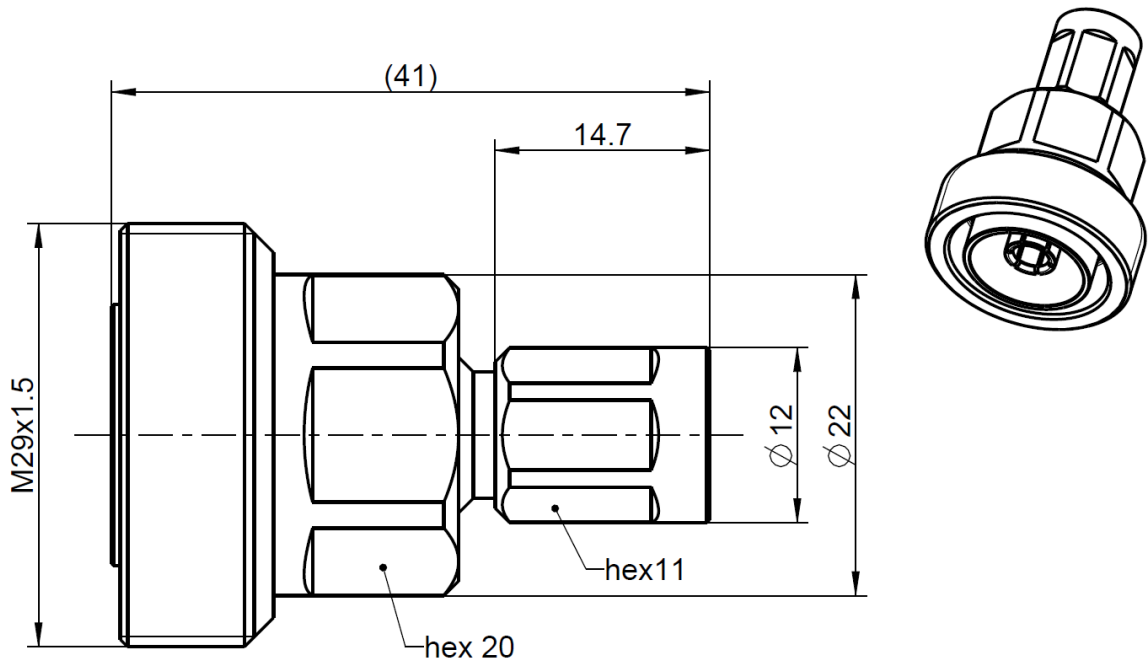


7-16
NEX10

Adaptor
7-19 Jack – NEX10® Plug

60K189-S00N1



All dimensions are in mm; tolerances according to ISO 2768 m-H

Interface

According to	NEX10 side:	NEX10®
	7-16 side:	IEC 60169-4, VG 95250, EN 122190, DIN 47223

Material and Plating

Connector parts

Center contact	NEX10 side:
Center contact	7-16 side:
Outer contact	NEX10 side:
Outer contact	7-16 side:
Body	
Dielectric	
Gasket	

Material

Spring bronze
Spring bronze
Spring bronze
Brass
Brass
PTFE
Silicone

Plating

Silver, 3-6 µm
Silver, 3-6 µm
Silver, 3-6 µm
White bronze(e.g. Optalloy®)
White bronze(e.g. Optalloy®)

Dieses Dokument ist urheberrechtlich geschützt • This document is protected by copyright • Rosenberger Hochfrequenztechnik GmbH & Co. KG

RFB00035/12.20/6.4

7-16
NEX10

Adaptor
7-19 Jack – NEX10® Plug

60K189-S00N1

Electrical Data

Impedance 50 Ω
 Frequency DC to 8.3 GHz
 Return loss ≥ 30 dB @ DC to 4 GHz
 Insertion loss ≤ 0.03 x √f [GHz] dB
 Insulation resistance ≥ 5 GΩ
 Center contact resistance ≤ 2.0 mΩ, NEX10 side ≤ 0.4 mΩ, 7-16 side
 Outer contact resistance ≤ 1.0 mΩ, NEX10 side ≤ 1.5 mΩ, 7-16 side
 Working voltage 500 V rms
 RF-leakage ≥ 110 dB @ DC to 6 GHz
 Power handling 100 W @ 2.0 GHz and 85°C ambient temperature
 Intermodulation (3rd order) ≥ 166 dBc (2 x 43 dBm) @ 0.4 – 4.0 GHz

Mechanical Data

	NEX10 side	7-16 side
Mating cycles	≥ 100	min. 500
Recommended torque	1.5 Nm	25 to 30 Nm

Environmental Data

Temperature range -55 °C to +125 °C operating temperature
 Thermal shock IEC 61169-1 9.4.4
 Vibration IEC 61169-1 9.3.3 and IEC 60068-2-64
 Shock IEC 61169-1 9.3.14
 Degree of protection (mated pair) IEC 60529, IP68 24h / 1m
 RoHS compliant

Tooling

N/A

Suitable Cables

N/A

Weight

61.4 g/pc

While the information has been carefully compiled to the best of our knowledge, nothing is intended as representation or warranty on our part and no statement herein shall be construed as recommendation to infringe existing patents. In the effort to improve our products, we reserve the right to make changes judged to be necessary.

For the installation of the electrotechnical equipment, particular electrotechnical expertise is required.



Draft	Date	Approved	Date	Rev.	Engineering change number	Name	Date
F. Fraunhofer	03.04.2017	Chr. Janßen	01.02.2021	b00	20-1927	B. Wollitzer	01.02.2021
Rosenberger Hochfrequenztechnik GmbH & Co. KG P.O.Box 1260 D-84526 Tittmoning Germany www.rosenberger.com					Tel. : +49 8684 18-0 Email : info@rosenberger.com		Page 2 / 2