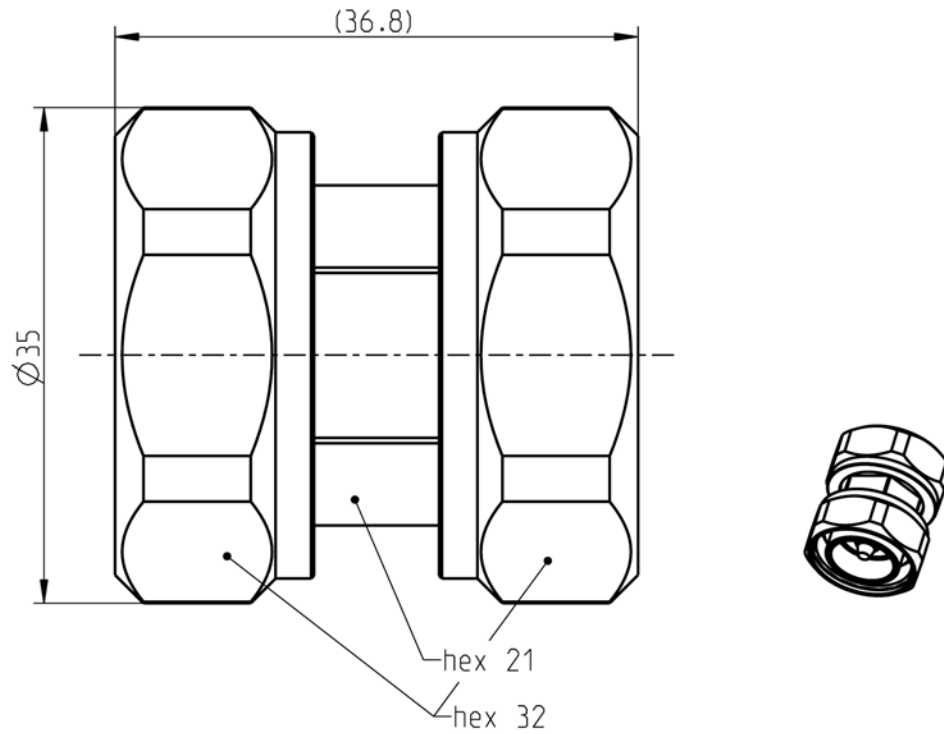


7-16

Adaptor
Plug - Plug

60S101-SIMN1



All dimensions are in mm; tolerances according to ISO 2768 m-H

Interface

According to

IEC 61169-4, EN 122190, DIN 47223

Material and Plating

Connector parts

- Center contact
- Outer contact
- Dielectric
- Gasket

Material

- Brass
- Brass
- PTFE
- Silicone

Plating

- Silver, 3-6 µm
- Flash white bronze over silver(e.g. Optargen®)

Dieses Dokument ist urheberrechtlich geschützt • This document is protected by copyright • Rosenberger Hochfrequenztechnik GmbH & Co. KG

RF_35/05.10/6.0

