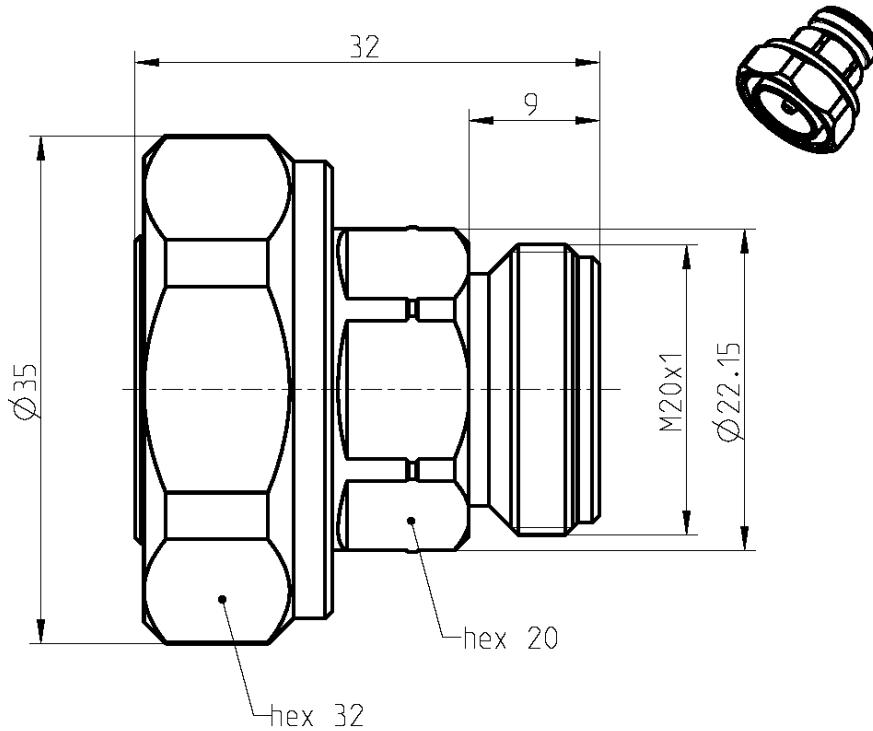


7-16
4.1-9.5

Adaptor
7-16 Plug – 4.1-9.5 Jack

60S165-KIMN1



All dimensions are in mm; tolerances according to ISO 2768 m-H

Interface

According to	4.1-9.5 side:	IEC 60169-11, DIN 47231
	7-16 side:	IEC 61169-4, EN 122190, DIN 47223

Documents

N/A

Material and plating

Connector parts

Center contact
Outer contact
Dielectric
Gasket

Material

CuBe
Brass
PTFE
Silicone

Plating

Silver, 3-6 µm
Flash white bronze over silver(e.g. Optargen®)

7-16 Adaptor
4.1-9.5 7-16 Plug – 4.1-9.5 Jack

60S165-KIMN1

Electrical data

Impedance 50 Ω
 Frequency DC to 7.5 GHz
 Return loss ≥ 35 dB @ DC to 1 GHz
 ≥ 32 dB @ 1 GHz to 4 GHz
 ≥ 22 dB @ 4 GHz to 7.5 GHz
 Insertion loss ≤ 0.1 x √f [GHz] dB
 Insulation resistance ≥ 5 GΩ
 Center contact resistance ≤ 1 mΩ
 Outer contact resistance ≤ 1.5 mΩ
 Working voltage (at sea level) 500 V rms
 Power handling (at 20 °C, sea level, VSWR 1.0) 1000 W @ 2 GHz
 RF-leakage ≥ 128 dB @ DC to 1 GHz
 Intermodulation (3rd order) ≥ 168 dBc (2 x 43 dBm)

Mechanical data

Mating cycles ≥ 500
 Center contact captivation: axial ≥ 200 N
 radial ≥ 2 Ncm
 Coupling torque (recommended) 4.1-9.5 10 Nm
 7-16 25 to 30 Nm
 Proof torque 4.1-9.5 15 Nm
 7-16 ≤ 35 Nm

Environmental data

Temperature range -55 °C to +155 °C
 Rapid change of temperature DIN EN 122190, Sub-clause 4.6.7
 Corrosion resistance DIN EN 122190, Sub-clause 4.6.10
 Vibration DIN EN 122190, Sub-clause 4.6.3
 Climatic category DIN EN 122190, Sub-clause 4.6.5 (55/155/56)
 Damp heat DIN EN 122190, Sub-clause 4.6.6
 Degree of protection (mated pair) IEC 60529, IP68 2.5 bar
 RoHS compliant

Tooling

N/A

Suitable cables

N/A

Weight

Weight 77.74 g/pce

While the information has been carefully compiled to the best of our knowledge, nothing is intended as representation or warranty on our part and no statement herein shall be construed as recommendation to infringe existing patents. In the effort to improve our products, we reserve the right to make changes judged to be necessary.

For the installation of the electrotechnical equipment, particular electrotechnical expertise is required.



Draft	Date	Approved	Date	Rev.	Engineering change number	Name	Date
M. Wimmer	12.10.12	Chr. Janßen	02.03.21	d00	20-1927	S. Huber-Siegl	02.03.21

Rosenberger Hochfrequenztechnik GmbH & Co. KG
 P.O.Box 1260 D-84526 Tittmoning Germany
www.rosenberger.com

Tel. : +49 8684 18-0
 Email : info@rosenberger.com

Page
2 / 2