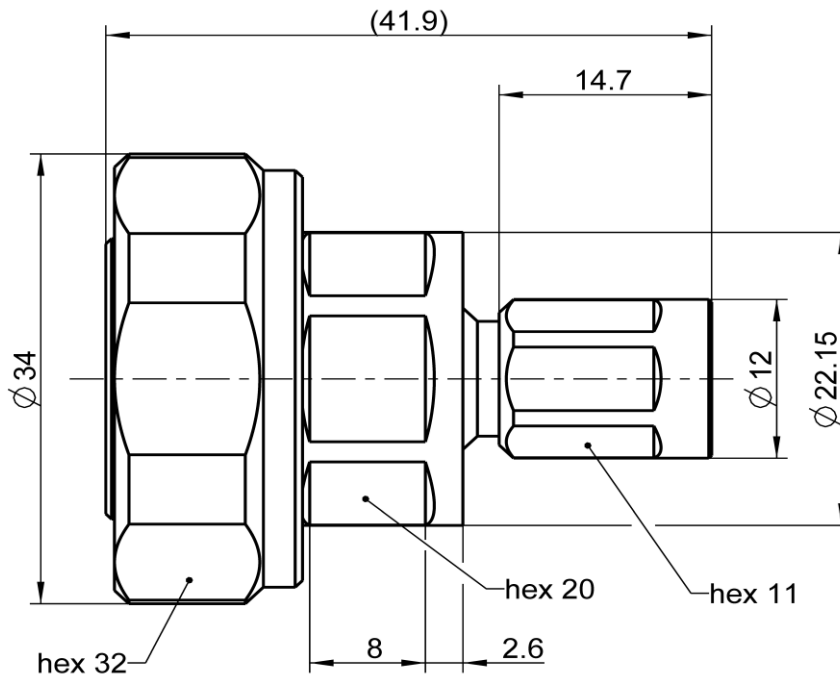


7-16  
NEX10

Adaptor  
7-16 Plug – NEX10® Plug

**60S189-S00N1**



All dimensions are in mm; tolerances according to ISO 2768 m-H

**Interface**

According to NEX10 side: NEX10®  
7-16 side: IEC 60169-4, VG 95250, EN 122190, DIN 47223

**Material and Plating**

**Connector parts**

Center contact		<b>Material</b>	Brass	<b>Plating</b>	Silver, 3-6 µm
Outer contact	7-16 side:		Brass		White bronze(e.g. Optalloy®)
Outer contact	NEX10 side:		Spring bronze		Silver, 3-6 µm
Body			Brass		White bronze(e.g. Optalloy®)
Dielectric			PTFE		
Gasket			Silicone		

Dieses Dokument ist urheberrechtlich geschützt • This document is protected by copyright • Rosenberger Hochfrequenztechnik GmbH & Co. KG

RFB00035/12.20/6.4

7-16  
NEX10

Adaptor  
7-16 Plug – NEX10® Plug

**60S189-S00N1**

**Electrical Data**

Impedance 50 Ω  
 Frequency DC to 8.3 GHz  
 Return loss ≥ 30 dB @ DC to 4 GHz  
 Insertion loss ≤ 0.05 x √ f [GHz] dB  
 Insulation resistance ≥ 5 GΩ  
 Center contact resistance ≤ 2.0 mΩ, NEX10 side ≤ 0.4 mΩ, 7-16 side  
 Outer contact resistance ≤ 1.0 mΩ, NEX10 side ≤ 1.5 mΩ, 7-16 side  
 Working voltage 500 V rms  
 RF-leakage ≥ 110 dB @ DC to 6 GHz  
 Power handling 100 W @ 2.0 GHz and 85°C ambient temperature  
 Intermodulation (3<sup>rd</sup> order) ≥ 166 dBc (2 x 43 dBm) @ 0.4 – 6.0 GHz

**Mechanical Data**

	NEX10 side	7-16 side
Mating cycles	≥ 100	min. 500
Recommended torque	1.5 Nm	25 to 30 Nm

**Environmental Data**

Temperature range -55 °C to +125 °C operating temperature  
 Thermal shock IEC 61169-1 9.4.4  
 Vibration IEC 61169-1 9.3.3 and IEC 60068-2-64  
 Shock IEC 61169-1 9.3.14  
 Degree of protection (mated pair) IEC 60529, IP68 24h / 1m  
 RoHS compliant

**Tooling**

N/A

**Suitable Cables**

N/A

**Weight**

81.2 g/pc

While the information has been carefully compiled to the best of our knowledge, nothing is intended as representation or warranty on our part and no statement herein shall be construed as recommendation to infringe existing patents. In the effort to improve our products, we reserve the right to make changes judged to be necessary.

For the installation of the electrotechnical equipment, particular electrotechnical expertise is required.



Draft	Date	Approved	Date	Rev.	Engineering change number	Name	Date
F. Fraunhofer	05.01.2017	Chr. Janßen	02.02.2021	b00	20-1927	B. Wollitzer	02.02.2021
Rosenberger Hochfrequenztechnik GmbH & Co. KG P.O.Box 1260 D-84526 Tittmoning Germany <a href="http://www.rosenberger.com">www.rosenberger.com</a>					Tel. : +49 8684 18-0 Email : <a href="mailto:info@rosenberger.com">info@rosenberger.com</a>		Page 2 / 2

Dieses Dokument ist urheberrechtlich geschützt • This document is protected by copyright • Rosenberger Hochfrequenztechnik GmbH & Co. KG

RFB00035/12..20/6..4