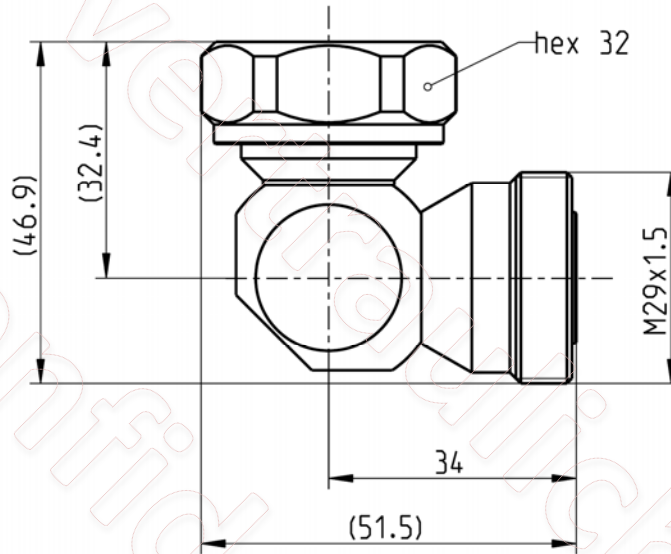
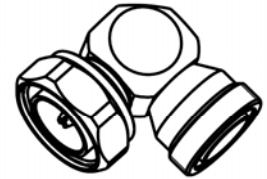


adaptor  
7/16 plug - jack

60S231-K00N1



All dimensions are in mm; tolerances according to ISO 2768 m-H

**Interface**

According to IEC 60169-4, VG 95250, EN 122190, DIN 47223

**Documents**

N/A

**Material and plating**

**Connector parts**

|                          | <b>Material</b> | <b>Plating</b>                                 |
|--------------------------|-----------------|--|
| Center contact plug side | Brass           | Silver, 3-6 µm                                 |
| Center contact jack side | Spring bronze   | Silver, 3-6 µm                                 |
| Outer contact            | Brass           | Flash white bronze over silver(e.g. Optargen®) |
| Body                     | Brass           | Flash white bronze over silver(e.g. Optargen®) |
| Dielectric               | PTFE            |  |
| Gasket                   | Silicone        |  |

adaptor  
7/16 plug - jack

**60S231-K00N1**

**Electrical data**

|  |   |
|--|---|
| Impedance                                      | 50 Ω  |
| Frequency                                      | DC to 7.5 GHz                                   |
| Return loss                                    | ≥ 33 dB, DC to 2.5 GHz<br>≥ 30 dB, 2.5 to 4 GHz |
| Insertion loss                                 | ≤ 0.05 dB                                       |
| Insulation resistance                          | ≥ 10 <sup>4</sup> MΩ                            |
| Center contact resistance                      | ≤ 0.4 mΩ  |
| Outer contact resistance                       | ≤ 1.5 mΩ  |
| Working voltage (at sea level)                 | 500 V rms, 50 Hz                                |
| Power handling (at 20 °C, sea level, VSWR 1.0) | 1800 W @ 1 GHz<br>800 W @ 4 GHz                 |
| RF-leakage                                     | ≥ 128 dB up to 1 GHz                            |
| Intermodulation (3 <sup>rd</sup> order)        | ≤ -117 dBm @ 2 x 20 W                           |

**Mechanical data**

|                                   |             |
|-----------------------------------|-------------|
| Mating cycles                     | min. 500    |
| Coupling nut retention            | ≥ 1000 N    |
| Center contact captivation: axial | ≥ 200 N     |
| radial                            | ≥ 30 Ncm    |
| Coupling torque (recommended)     | 25 to 30 Nm |
| Proof torque                      | max. 35 Nm  |

**Environmental data**

|                             |  |
|-----------------------------|--|
| Temperature range           | -45°C to +85°C                         |
| Rapid change of temperature | DIN EN 122190, clause 4.6.7            |
| Corrosion salt mist         | DIN EN 122190, clause 4.6.10           |
| Vibration                   | DIN EN 122190, clause 4.6.3            |
| Damp heat                   | DIN EN 122190, clause 4.6.6            |
| Climatic tests              | DIN EN 122190, clause 4.6.5 (45/85/56) |
| RoHS                        | compliant                              |

**Tooling**

N/A

**Suitable cables**

N/A

**Weight**

Weight 280 g/pce

While the information has been carefully compiled to the best of our knowledge, nothing is intended as representation or warranty on our part and no statement herein shall be construed as recommendation to infringe existing patents. In the effort to improve our products, we reserve the right to make changes judged to be necessary.

| Draft  | Date     | Approved    | Date     | Rev. | Engineering change number  | Name        | Date          |
|--|----------|-------------|----------|------|--|-------------|---------------|
| Inge Mühlauer  | 06/07/04 | J_Gramsamer | 01.04.15 | f00  | 15-0397  | J_Krautenb. | 01.04.15      |
| Rosenberger Hochfrequenztechnik GmbH & Co. KG<br>P.O.Box 1260 D-84526 Tittmoning Germany<br><a href="http://www.rosenberger.de">www.rosenberger.de</a> |          |             |          |      | Tel.: +49 8684 18-0<br>email: <a href="mailto:info@rosenberger.de">info@rosenberger.de</a> |             | Page<br>2 / 2 |