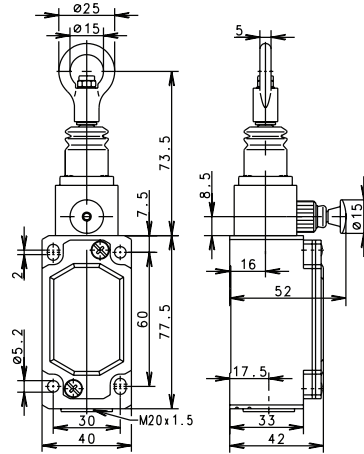


SIEM and SID Latching with Reset Button

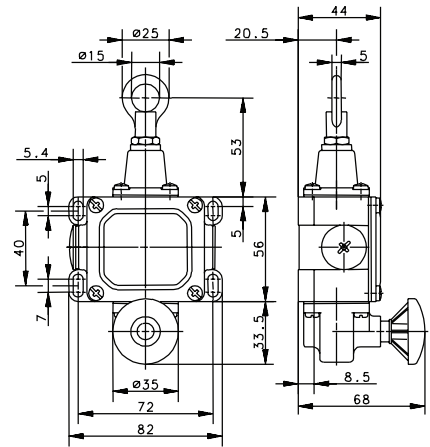


Pull Cable to change contact state, push button to reset

SIEM2 RAST



SID RAST



<p>Variant 1</p>	<p>Article No. Designation Max. span Type</p> <p>601.2831.023 SIEM2-UV1Z P-RAST 19.6 Ft. (6 Meters) Metal Body with Tension Monitor</p>	<p>Article No. Designation Max. span Type</p> <p>601.1411.868 SD-U1 P-RAST 26.2 Ft. (8 Meters) Metal Body without Tension Monitor</p>
<p>Variant 2</p>	<p>Article No. Designation Max. span Type</p> <p>611.1431.060 SID-UV1Z P-RAST 49.2 Ft. (15 Meters) Metal Body with Tension Monitor</p>	<p>Article No. Designation Max. span Type</p> <p>601.1431.869 SID-UV1Z P-RAST 39.4 Ft. (12 Meters) Metal Body with Tension Monitor</p>
<p>Variant 3</p>	<p>Article No. Designation Max. span Type</p>	<p>Article No. Designation Max. span Type</p> <p>601.1431.869 SID-UV1Z P-RAST 39.4 Ft. (12 Meters) Metal Body with Tension Monitor</p>

Technical Information

Maximum Switching Voltage	240V	240V
Maximum Switching Amperage	10A	16A
B10d	On Request	On Request
Mechanical Service Life	1 x 10 ⁶	1 x 10 ⁶
Switching Frequency	≤ 50/min	≤ 20/min
Operating Temperature	-30 °C to +80 °C	-30 °C to +80 °C
Protection Rating	IP65	IP65
Utilization Category	AC-15, U _e / I _e 240 V / 3 A	AC-15, U / I _e 240 V / 3 A
Rate Insulation Voltage	400VAC	400VAC
Approvals		

Drawing dimensions in mm