

## Single Pedal With Cover

### WITH E-STOP BUTTON



Standard OFF-ON Operation - Push pedal to change contact state. Release pedal to return to original state. With 2NC contact Emergency Stop

### INTERNAL CONTACTOR

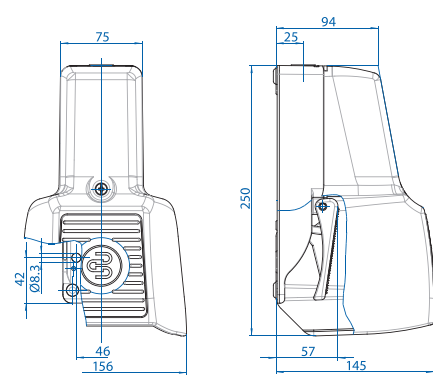
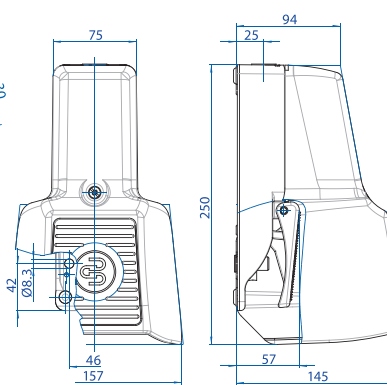
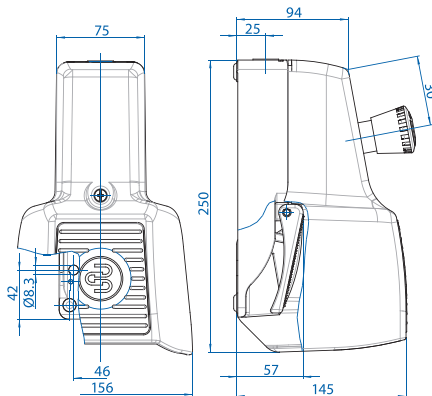


Standard and Latching style with built in contactor can switch up to 16AMPS@400VAC for AC1 applications, with additional 3NO/1NC Contacts

### ANALOG OUTPUT



Analog Output Operation - As the pedal is depress, voltage or amperage (depending on model) is increase. Features an additional programmable PNP NO signaling contact that activates at a preset level.



#### Single pedal foot switch F1

Article number	Designation	Switching contacts
606.1600.435	F1-U1Z NA2 UN	1NC / 1NO

#### Single pedal foot switch F1

Article number	Designation	Switching contacts
<b>Standard</b>		
606.1800.436	F1-SU1Z LS22 UN	1NC / 1NO
<b>Latching</b>		
606.1800.439	F1-SU1Y LS22 UN	1NC / 1NO

#### Single pedal foot switch F1

Article number	Designation	Output Range
616.1000.727	F1-AU0-5	0 - 5 V
616.1000.728	F1-AU0-10	0 - 5 V
616.1000.729	F1-AI0-20	0 - 20 mA
616.1000.730	F1-AI4-20	4 - 20 mA