

Technical Data

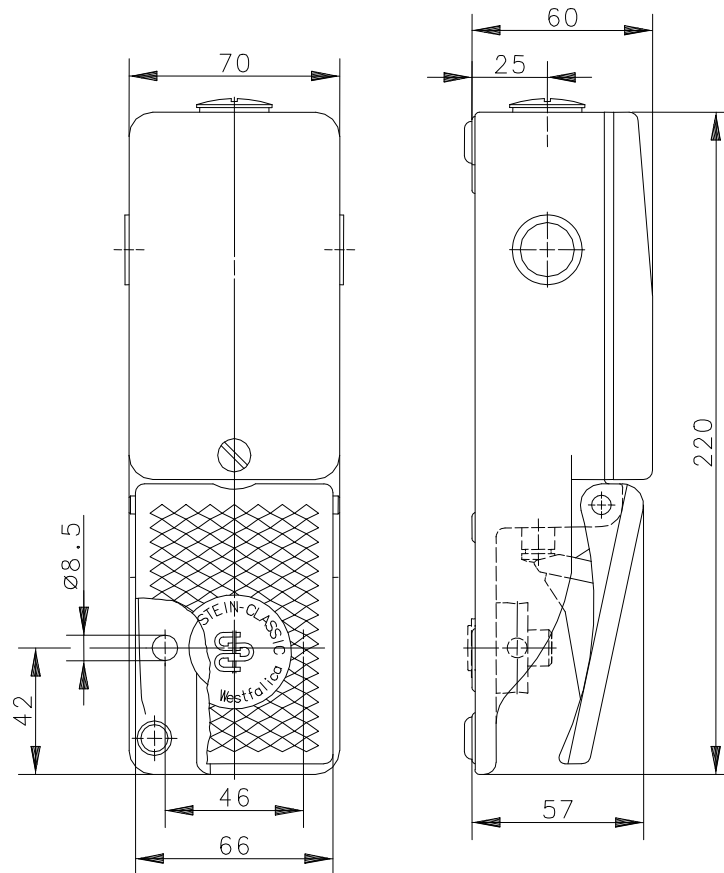
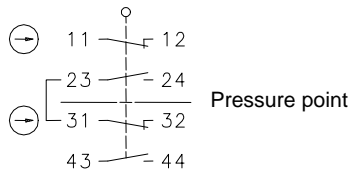
Foot-switch

Series F1

Description **F1-U2ZD**

Article number **6161200284**

Switching symbol



Electrical data

Rated insulation voltage	U_i	400 V AC
Conv. thermal current	I_{the}	10 A
Rated operational voltage	U_e	240 V
Utilization category		AC-15, B300, U_e/I_e 240 V / 3 A
Positive opening NC contact	\ominus	IEC/EN 60947-5-1
Short-circuit protective device		Fuse 10 A gG IEC/EN 60947-5-1, Annex K
Protection class		I

This document will not become the contractual basis; the details included herein do not constitute any descriptions of expected conditions, so that warranties/claims for defects on account of possible variations of the actual qualities from the qualities described herein are explicitly excluded. All rights reserved. Specifications subject to change without notice!

Date of issue: 03.12.2012 / Page 1 of 2
Document: 6161200284_en / Last update: 2 / 25223-12

Technical Data

Foot-switch



Mechanical data	
Enclosure	AL, die-cast
Cover	AL, die-cast
Actuator	Foot lever (PA)
Ambient air temperature	-30 °C ... +80 °C
Contact type	2 N.C., 2 N.O. (Zb)
Operating force	approx. 10 N (pedal centre)
Pressure point	≈ 200 N
Mechanical life	1 x10 ⁶ operating cycles
Switching frequency	max. 50/min
Assembly	2 x M8
Connection	screw connections M3,5
Number of connections	8 (see switching symbol)
Protection ground	2 x M4
Conductor cross-sections	Solid: 0,5 – 1,5 mm ² Litz wire with or without ferrules: 0,5 – 1,5 mm ²
Cable entrance	3 x M20 x 1,5
Weight	approx. 0,73 kg
Protection type	IP65 in accordance with IEC/EN 60529

ID for safety engineering	
B10d	2 x 10 ⁶ switching cycles

Regulations	
	VDE 0660 T100, DIN EN 60947-1, IEC 60947-1
	VDE 0660 T200, DIN EN 60947-5-1, IEC 60947-5-1

EU Conformity	
	acc. to directive 2006/42/EC

Approvals	
	DGUV
	cCSA _{US} A300 (same polarity)
	CCC

Notes

The degree of protection (IP code) specified applies solely to a property closed cover and the use of an equivalent cable gland with adequate cable.

This document will not become the contractual basis; the details included herein do not constitute any descriptions of expected conditions, so that warranties/claims for defects on account of possible variations of the actual qualities from the qualities described herein are explicitly excluded. All rights reserved. Specifications subject to change without notice!