

Technical Data

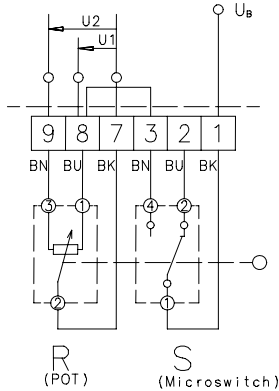
Foot-switch

Series F1

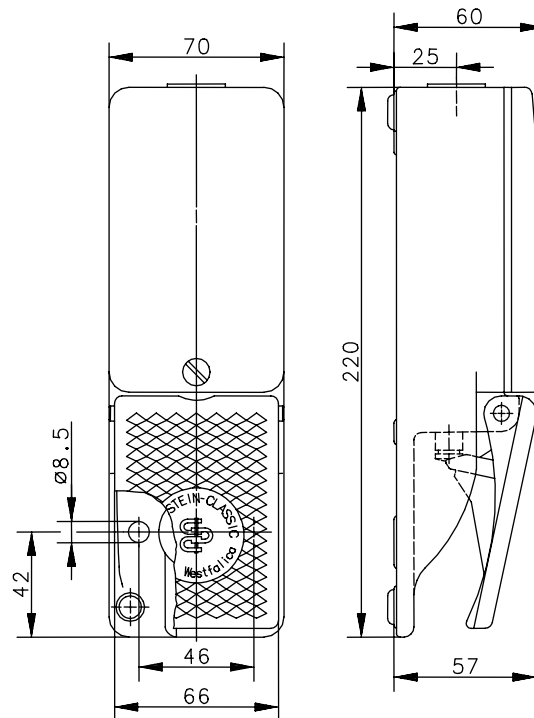
Description **F1-SU1 MI RG 10K2W**

Article number **6161300327**

Connection example



Wiring diagram



Electrical data		Microswitch	Potentiometer (POT)
Calibration current	I	5 A	–
Sliding contact	I	–	≤ 100 mA
Load	P	–	2 W / 70 °C
Max. enduring current	U	250 V AC	$U_{max} = \sqrt{P \times R}$
Connection resistance	R	–	10K ±10%
Short-circuit protective device		–	Fuse
		2 A gL / gG	F 50 mA
Protection class		I (referred to the complete foot-switch)	

This document will not become the contractual basis; the details included herein do not constitute any descriptions of expected conditions, so that warranties/claims for defects on account of possible variations of the actual qualities from the qualities described herein are explicitly excluded. All rights reserved. Specifications subject to change without notice!

Date of issue: 12.01.2010 / Page 1 of 2
Document: 6161300327_en.doc / Status: 3 / 2019-10

Mechanical data		
Enclosure	AL, die-cast	
Cover	AL, die-cast	
Actuator	Foot lever (PA)	
Ambient air temperature	-25 °C ... +80 °C	
Contact type	1 changeover, 1 potentiometer (10 kΩ)	
Operating force	Approx. 10 N (pedal centre)	
Mechanical life	Microswitch	10x10 ⁶ operating cycles
	Potentiometer	50000 rotation cycle
Switching frequency	Max. 20 / min	
Assembly	2 x M8	
Connection	screw terminals (M2)	
Number of connections	6 x M2	
Protection ground	2 x M4	
Conductor cross-sections	Solid: ≤ 1 mm ²	
	Litz wire with or without ferrules: ≤ 1 mm ²	
Cable entrance	1 x M20x1,5	
Weight	Approx. 0,75 kg	
Protection type	IP65 in accordance with IEC/EN 60529	
Regulations Microswitch		
	DIN EN 61058-1 (VDE 0630 Teil 1): 1993-05	
	DIN EN 61058-1: 1992 ÷ A1: 1993-05	
	Low voltage guideline 73/23/EWG	
EU Conformity	CE	

Notes

Not used tapped holes must be closed with pegs. The degree of protection (IP code) specified applies solely to a properly closed cover and the use of an at least equivalent cable gland or blind plugs.