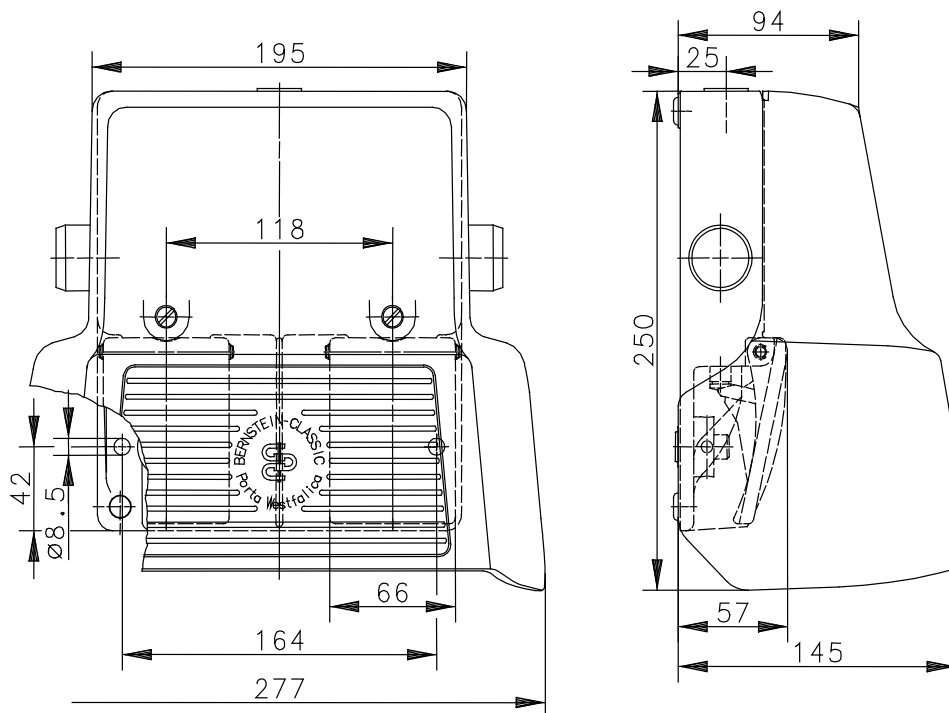


**Foot-switch**  
Series F2 UN

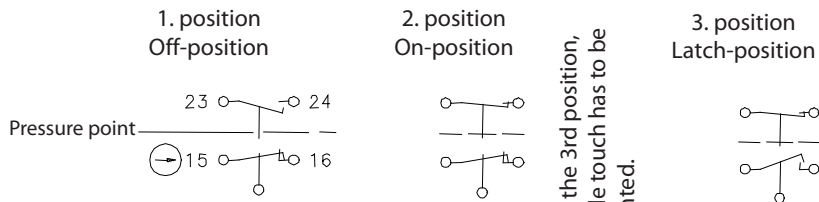
Description **F2-UV1ZD/UV1ZD UN RAST**

Article number **6162000583**



**Switching symbol**

Pedal left and right  
(Three-Step-Safety Switch with latch „Off-On-OFF“)



To reach the 3rd position,  
the tactile touch has to be  
surmounted.

Electrical Data		
Rated insulation voltage	$U_i$	400 V AC
Conv. thermal current	$I_{the}$	10 A
Rated operational voltage	$U_e$	240 V
Utilization category		AC-15, $U_e / I_e$ 240 V AC / 3 A
Direct opening action	⊙	acc. to IEC/EN 60947-5-1, annex K
Short-circuit protective device		Fuse 10 A gG
Protection class		I

Mechanical data	
Enclosure	AL, die-cast
Protective guard (Accident protection cover UN)	AL, die-cast
Actuator	Foot lever (PA)
Ambient air temperature	-30 °C to +80 °C
Contact type	2 NC, 2 NO (Zb)
Operating force (pedal centre)	10 N
Pressure point	≈ 200 N
Mechanical life	
without actuating the pressure point	10 x 10 <sup>6</sup> operating cycles
with actuating the pressure point	1 x 10 <sup>6</sup> operating cycles
Switching frequency	max. 50/min
Assembly	2 x M8
Connection	screw connections (M3,5)
Number of connection	8
Protection ground	2 x M4
Conductor cross-sections	Solid: 0,5 ... 1,5 mm <sup>2</sup> Litz wire with ferrules: 0,5 ... 1,5 mm <sup>2</sup>
Cable entrance	1 x M20 x 1,5
Weight	≈ 2,8 kg
Protection type	IP65 in accordance with IEC/EN 60529

ID for safety engineering	
B10d	20 x 10 <sup>6</sup> cycles

Regulations	
	VDE 0660 T100, DIN EN 60947-1, IEC 60947-1
	VDE 0660 T200, DIN EN 60947-5-1, IEC 60947-5-1
	DIN EN ISO 13849-1

EU Conformity	
	acc. to directive 2014/35/EU (Low-Voltage-Directive)

Approvals	
	cCSA <sub>US</sub> A300 (same polarity)