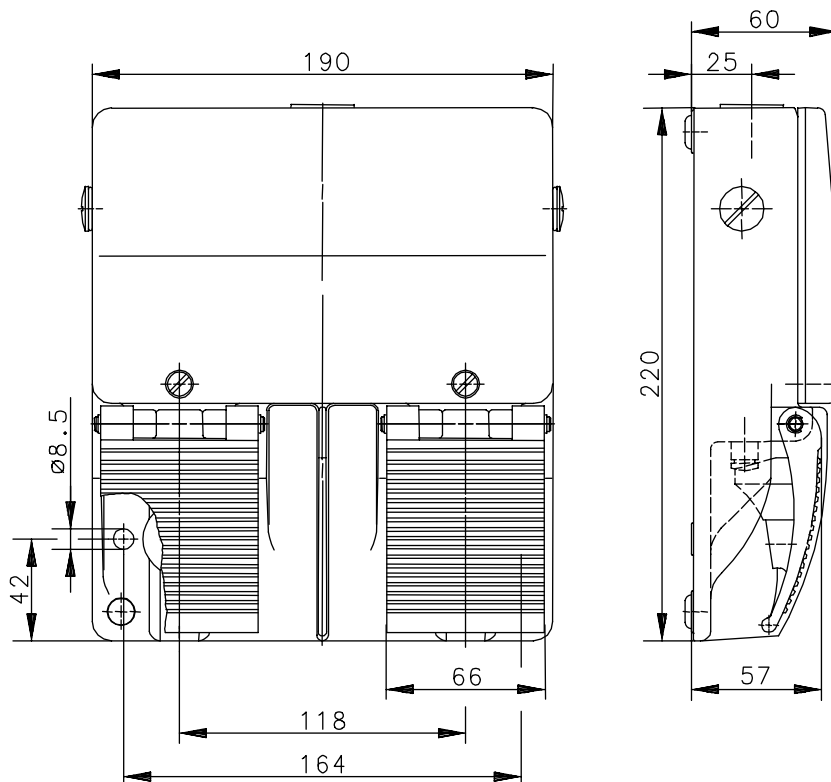


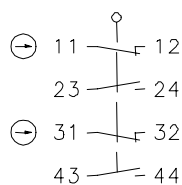
Series F2

Description **F2-U2Z/U2Z**

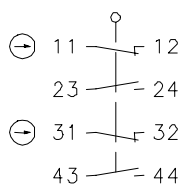
Article number **6162220125**



Switching symbol Pedal left



Switching symbol Pedal right



Electrical data

Rated insulation voltage	U_i	400V AC
Conv. thermal current	I_{the}	10A
Rated operational voltage	U_e	240V
Utilization category		AC-15, U_e/I_e 240V/3A
Direct opening action	\ominus	acc. to IEC/EN 60947-5-1, Annex K
Short-circuit protective device		Fuse 10A gL/gG
Protection class		I

This document will not become the contractual basis; the details included herein do not constitute any descriptions of expected conditions, so that warranties/claims for defects on account of possible variations of the actual qualities from the qualities described herein are explicitly excluded. All rights reserved. Specifications subject to change without notice!

Date of issue: 20.01.2006 / Page 1 of 2
Document: 6162220125_en / Status: 1 / 2062-06

Mechanical data	
Enclosure	AL, die-cast
Protective guard (Accident protection cover UN)	AL, die-cast
Actuator	Foot lever (AL-die-cast, hart-coat 30)
Ambient air temperature	-30°C to +80°C
Contact type	4 N.C, 4 N.O. (Zb)
Operating force – Pedal left	Approx. 10N (pedal centre)
Mechanical life	10 x10 ⁶ operating cycles
Switching frequency	Max. 50/min
Assembly	2 x M8
Connection	screw connections (M3,5)
Number of connections	16
Protection ground	2 x M4
Conductor cross-sections	Solid: 0,5 – 1,5mm ² Litz wire with or without ferrules: 0,5 – 1,5mm ²
Cable entrance	3 x M20x1,5
Weight	Approx. 1,7kg
Protection type	IP65 in accordance with IEC/EN 60529
Regulations	
	VDE 0660 T100, DIN EN 60947-1, IEC 60947-1 VDE 0660 T200, DIN EN 60947-5-1, IEC 60947-5-1
EU Conformity	
	CE

Notes

The degree of protection specified (IP code) applies only to a properly closed protective guard and the use of an equivalent cable gland with adequate cable.