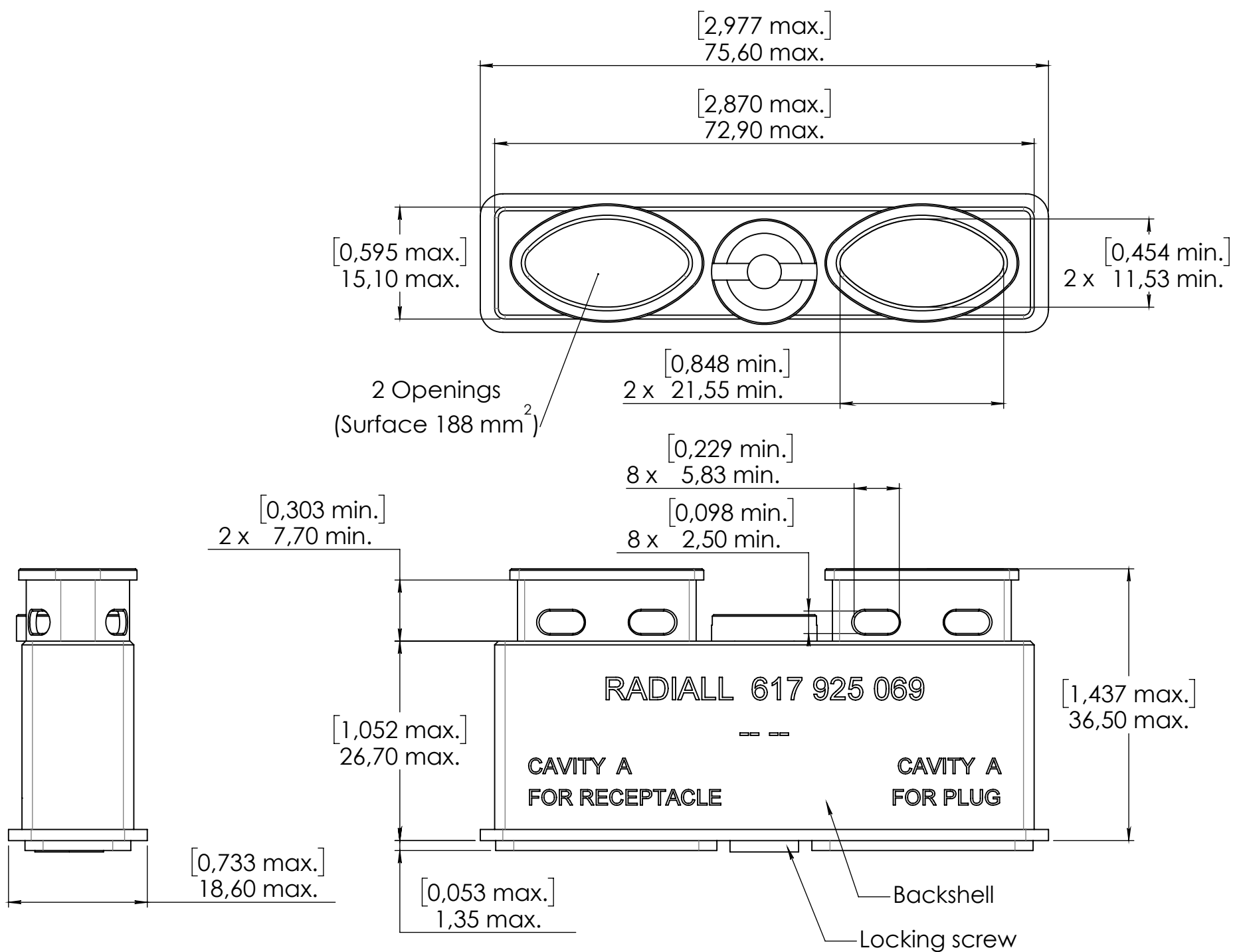


Series
EPXB

SIZE 2 EPXB BACKSHELL

Issue:
Jul 13, 2017

Page
1/1



MATERIAL AND FINISH:

BACKSHELL:

- Aluminium alloy: Electrolytic nickel over electroless nickel

LOCKING SCREW:

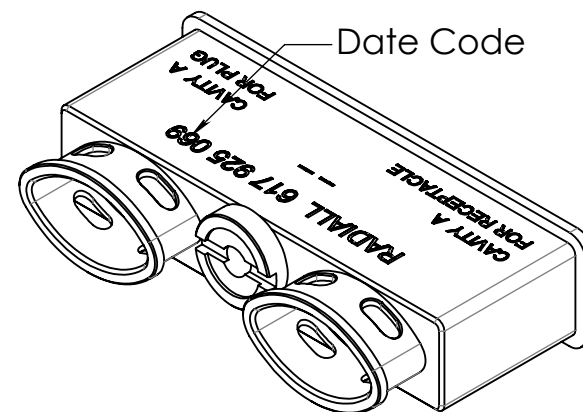
- Stainless steel

TOOLS:

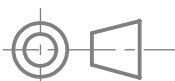
- RADIALL P/N: 282 664 or 282 665 to fix the locking screw.

NOTE:

- Refer to MIBS1700013 for mounting instruction.



DIMENSIONS : mm (inch are given for information only)



Estimated weight : 35 g

CREATION					
PEN: M080106802A	Jul 13, 17	"2 Openings (Surface 188 mm ²)" note added,	Weih	LeGloahec	
	Dec 20, 13	Mounting instructions added	Ceberio	LeGloahec	
NOM: PAILOT N.	May 25, 09	"RADIALL STANDARD P/N" added in the title	Pailot	Pessard	
DATE: Feb 6, 2008	Mar 06, 08	617 925 069 was RP 61871 and dimensions updated and the 2.5 min [0.098 min] was 2 min [0.078 min]	Pailot	Pessard	
APPR.: PESSARD M.	Issue	Revisions	Name	Approved	

617925069EN

RADIALL PROPRIETARY INFORMATION

This document contains proprietary information and such information shall not be disclosed to any third party for any purpose whatsoever or used for manufacturing purposes without prior written agreement from RADIALL. This information is given as an indication. In the continual goal to improve our products, we reserve the right to make any modifications judged necessary.

4112_9311