

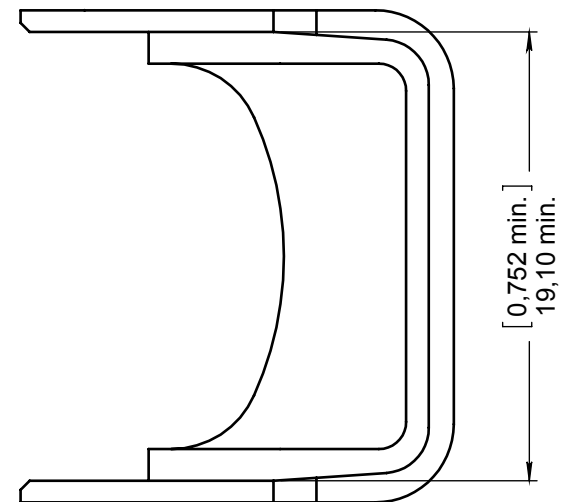
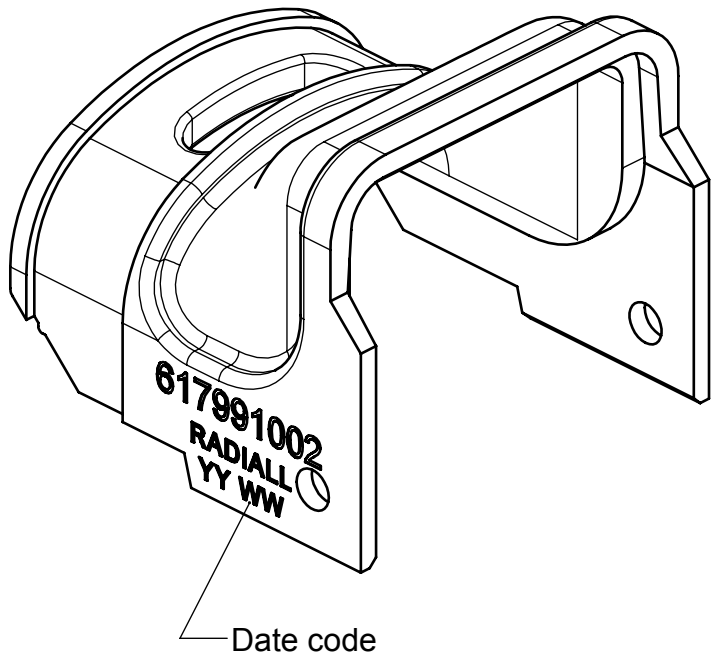
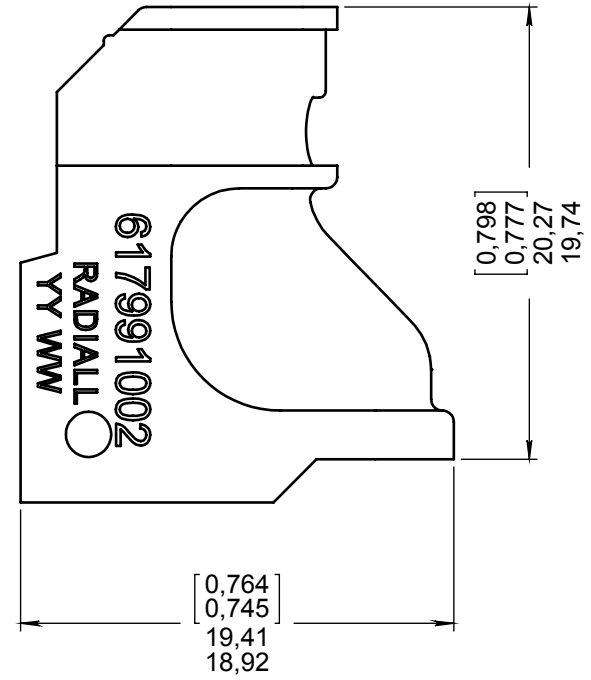
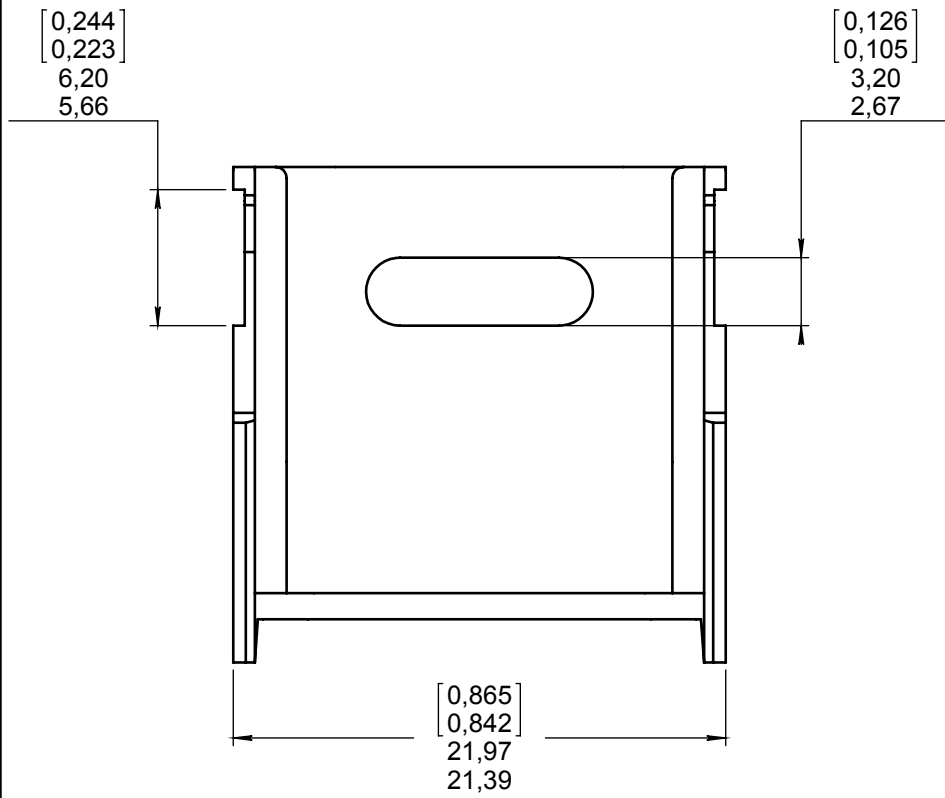
Series  
QM

MINI LOCK STRAIGHT BACKSHELL

Issue:  
Fev. 27, 2013

Page  
1/1

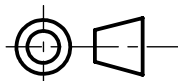
This document contains proprietary information and such information shall not be disclosed to any third party for any purpose whatsoever or used for manufacturing purposes without prior written agreement from RADIALL. This information is given as an indication. In the continual goal to improve our products, we reserve the right to make any modifications judged necessary.



**MATERIAL & FINISHES :**

Nickel plated high grade thermoplastic.

DIMENSIONS : mm (inch are given for information only)



Estimated weight : 2.7 g

CREATION				
PEN: 2008-11-2158				
NOM: VIEIRA D.				
DATE: Fev. 27, 2013				
APPR.: LE GLOAHEC Y	Issue	Revisions	Name	Approved