



Optical Encoders

SERIES 61L
Full Quadrature Cycle Per Detent

FEATURES

- .650 sq. inch package size
- Optically coupled for 1 million rotational cycles
- Optional integrated pushbutton
- Detented and non-detented versions available
- Available in 24 positions

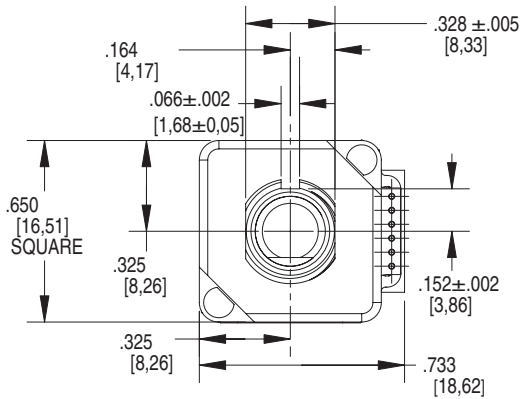
APPLICATIONS

- Medical Devices
- Test and Measurement Equipment
- Other Scroll and Select Applications

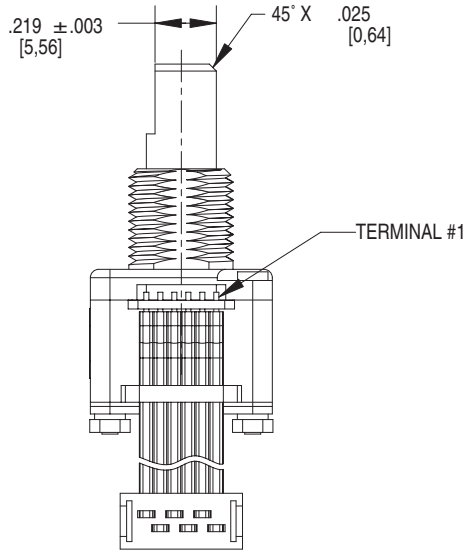
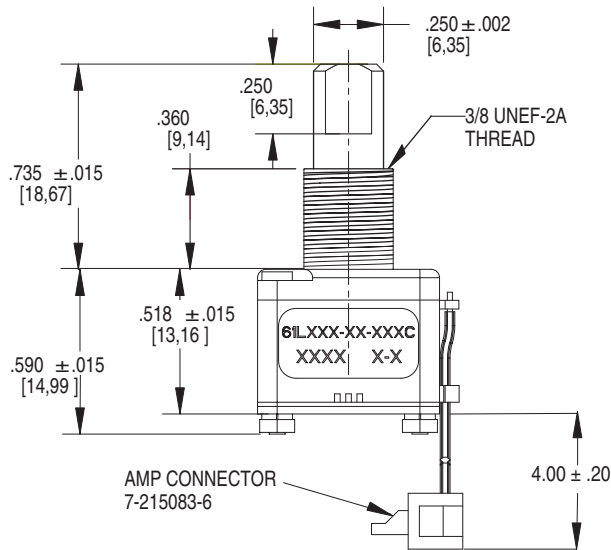
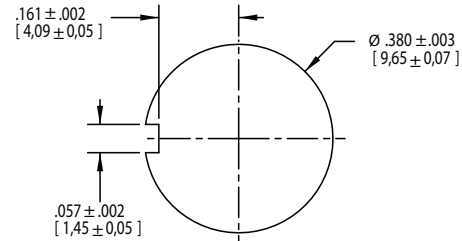


DIMENSIONS in inches (and millimeters)

Unless otherwise specified, standard tolerances are:
 Linear ± .025
 Diameter ± .010
 Angle ± 2.0 °

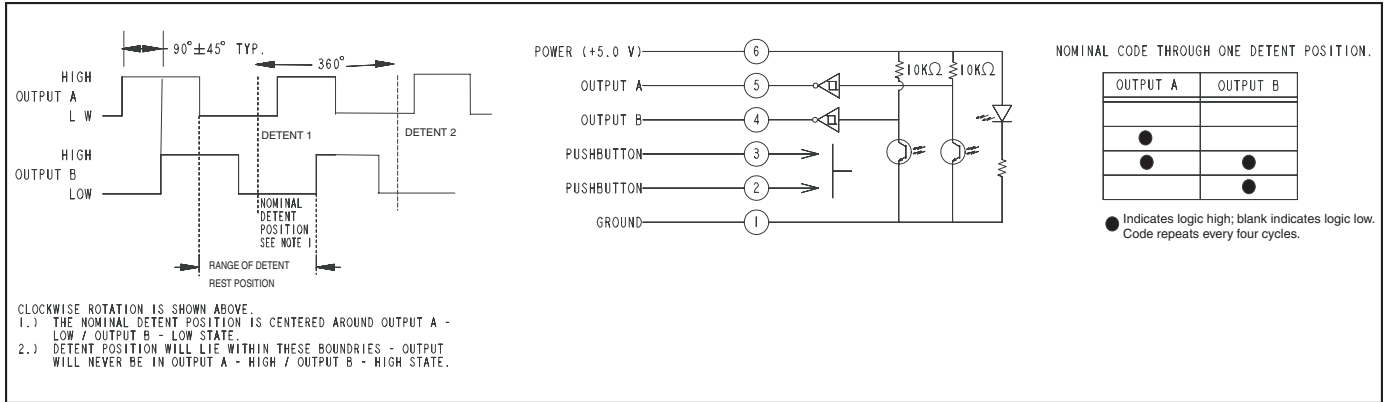


Suggested Mounting Panel Cutout



Optical and Mechanical Encoders

CIRCUITRY, WAVEFORM AND TRUTH TABLE



SPECIFICATIONS

Environmental Specifications

Operating Temperature Range: -40° C to 85° C

Storage Temperature Range: -55° C to 100° C

Humidity: 96 hours at 90-95% humidity at 40° C

Mechanical Vibration: Harmonic motion with amplitude of 15g, within a varied frequency of 10 to 2000 Hz

Mechanical Shock:

Test 1: 100g for 6 ms half-sine wave with a velocity change of 12.3 ft/sec

Test 2: 100g for 6 ms sawtooth wave with a velocity change of 9.7 ft/sec

Rotary Electrical and Mechanical Specifications

Operating Voltage: 5.00±.25Vdc

Supply Current: 30 mA maximum at 5Vdc

Output Code: Two-bit quadrature, channel A leads channel B by 90° electrically during clockwise rotation of the shaft.

Logic Output Characteristics:

Logic high signal shall be no less than 3.8 Vdc

Logic low signal shall be no greater than 0.8 Vdc

Minimum Sink Current: 2.0 mA

Power Consumption: 150 mW maximum

Mechanical Life: 1 million cycles of operation for Medium, Low and Non-Detent. 1/2 million cycles of operation for High. One cycle is a rotation through all positions and a full return.

Average Rotational Torque: H= 6.0 ± 2.6

in-oz, M= 2.7 ± 1.8 in-oz, L= 1.4 ± 0.8 in-oz, N= <0.5 in-oz. Torque shall be within 50% of initial value throughout life.

Mounting Torque: 15 in-oz maximum

Shaft Push-Out Force: 45 lbs minimum

Shaft Pull-Out Force: 45 lbs minimum

Terminal Strength: 15 lbs minimum terminal pull-out force for cable or header termination

Solderability: 95% free of pinholes and voids

Pushbutton Electrical and Mechanical Specifications

Rating: 50 mA at 12 Vdc

Contact Resistance: <10Ω

Life: 1/2 million actuations minimum

Contact Bounce: <4 ms make, <10 ms break

Actuation Force: 510 ±150 grams

Shaft Travel: .025 ± .015 inch

Materials and Finishes

Bushing: Zinc

Shaft: Aluminum

Cable: Copper Standard with Topcoat in PVC Insulation

Connector: Glass filled Polyester, Tin/Nickel Phosphor Bronze

Solder: 96.5% tin / 3% silver / 0.5% copper, no clean

Lockwasher: Stainless Steel

Hex Nuts: Stainless Steel

This product series is ROHS Compliant.

