

# Optical Encoder

## Series 62A, V, D

### Compact, 1/2" Package



#### FEATURES

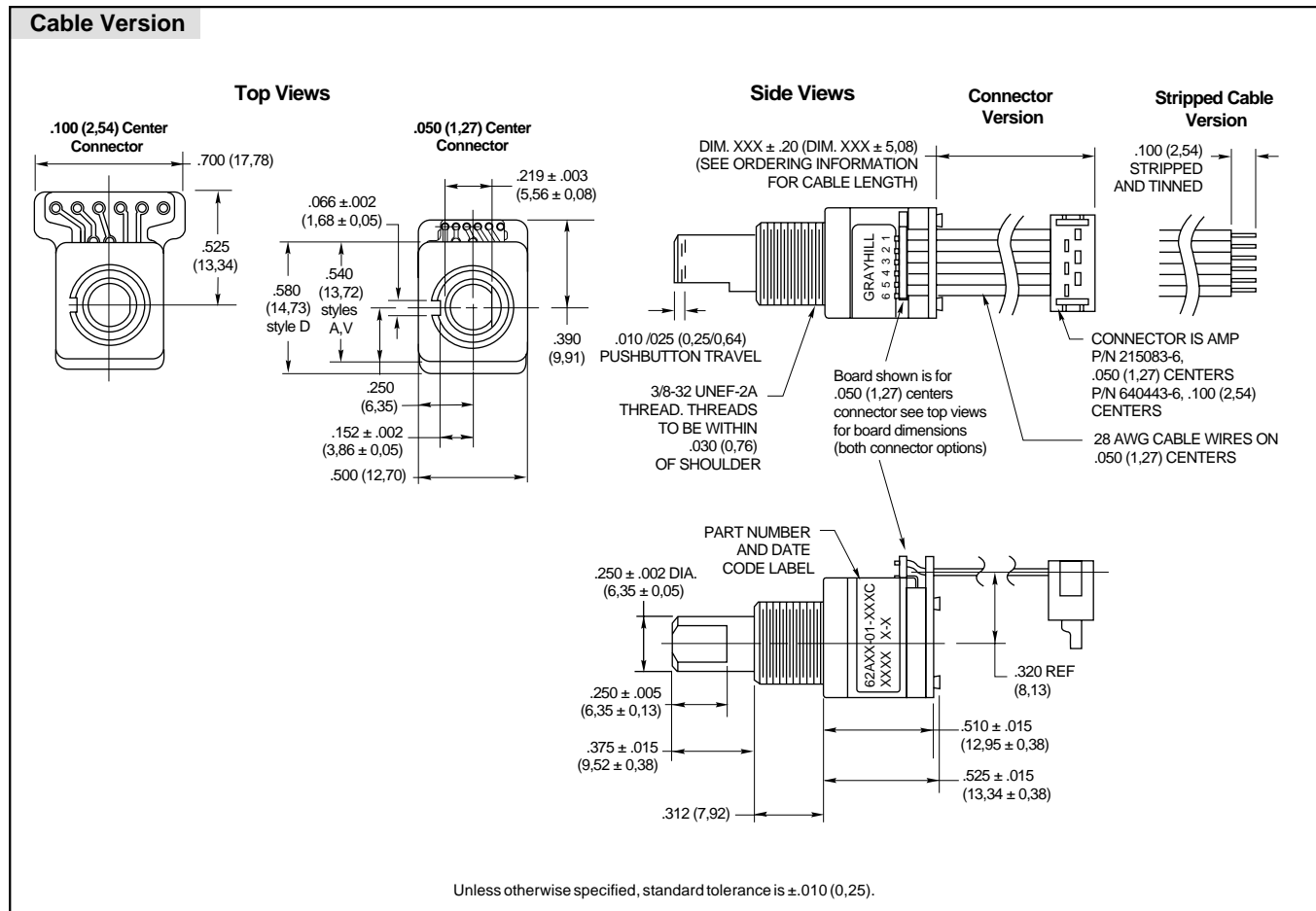
- Low Cost
- Long Life
- Available in 3.3 or 5.0 Vdc Operating Voltages
- High Torque Version to Emphasize Rotational Feel
- Economical Size
- Optically Coupled for More than a Million Cycles
- Optional Integral Pushbutton
- Compatible with CMOS, TTL and HCMOS Logic
- Available in 12, 16, 20, 24 and 32 Detent Positions (Non-detent Also Available)
- Choices of Cable Length and Terminations

#### APPLICATIONS

- Global Positioning/Driver Information Systems
- Medical Equipment

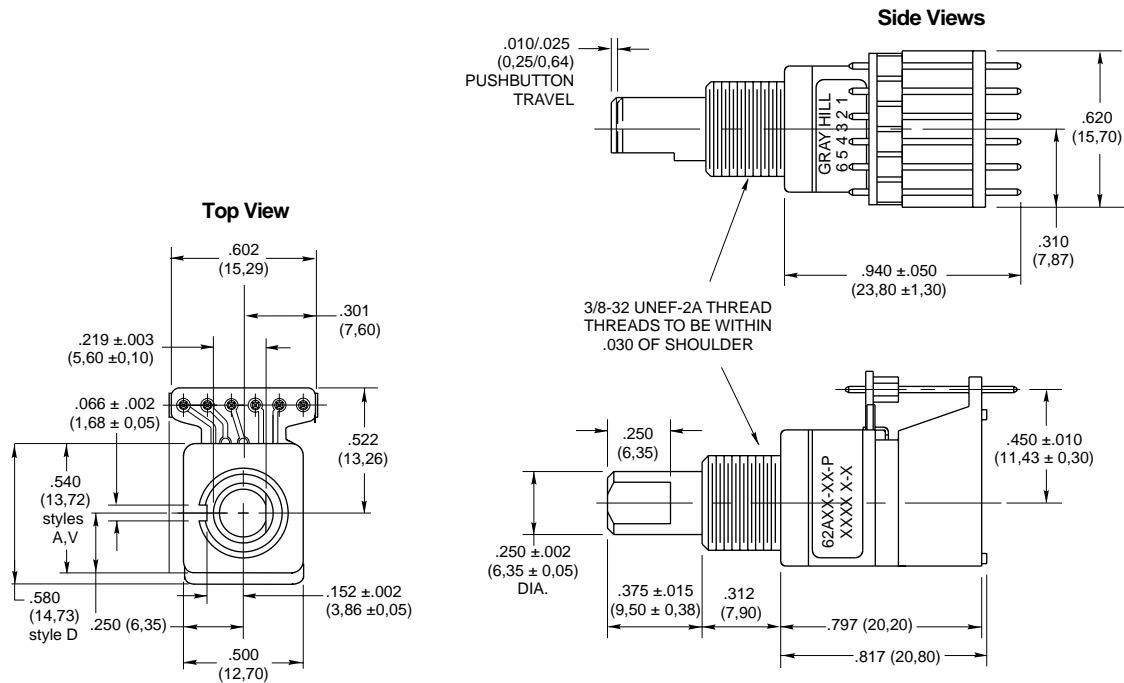


#### DIMENSIONS In inches (and millimeters)



## DIMENSIONS In inches (and millimeters)

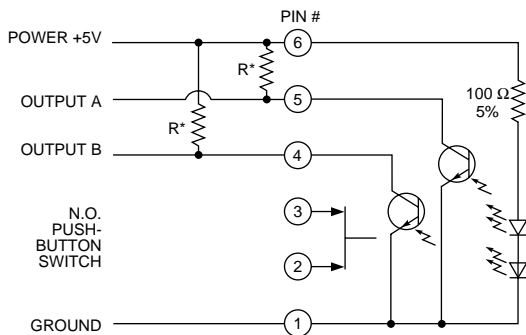
### Pin Version



Unless otherwise specified, standard tolerance is ±.010 (0.25)

## CIRCUITRY, TRUTH TABLE, AND WAVEFORM Standard Quadrature 2-Bit Code

### Standard 5.0 Volt (Styles A and D)

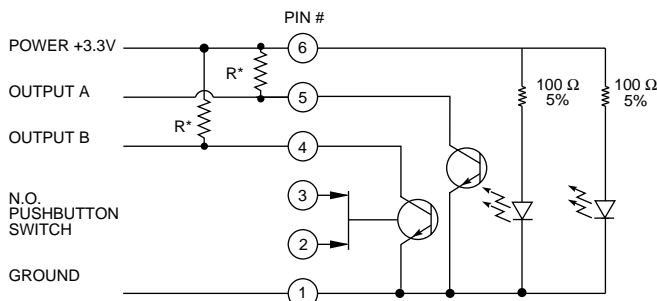


\* External pull-up resistors required for operation (2.2 kΩ).

| Clockwise Rotation |          |          |
|--------------------|----------|----------|
| Position           | Output A | Output B |
| 1                  |          |          |
| 2                  | ●        |          |
| 3                  | ●        | ●        |
| 4                  |          | ●        |

● Indicates logic high; blank indicates logic low. Code repeats every 4 positions.

### 3.3 Volt (Style V only)



\* External pull-up resistors required for operation (2.2k Ω)

