

# Optical Encoder

Series 62A, V, D

Compact, 1/2" Package



## FEATURES

- Low Cost
- Long Life
- Available in 3.3 or 5.0 Vdc Operating Voltages
- High Torque Version to Emphasize Rotational Feel
- Economical Size
- Optically Coupled for More than a Million Cycles
- Optional Integral Pushbutton
- Compatible with CMOS, TTL and HCMOS Logic
- Available in 12, 16, 20, 24 and 32 Detent Positions (Non-detent Also Available)
- Choices of Cable Length and Terminations

## APPLICATIONS

- Global Positioning/Driver Information Systems
- Medical Equipment



## DIMENSIONS In inches (and millimeters)

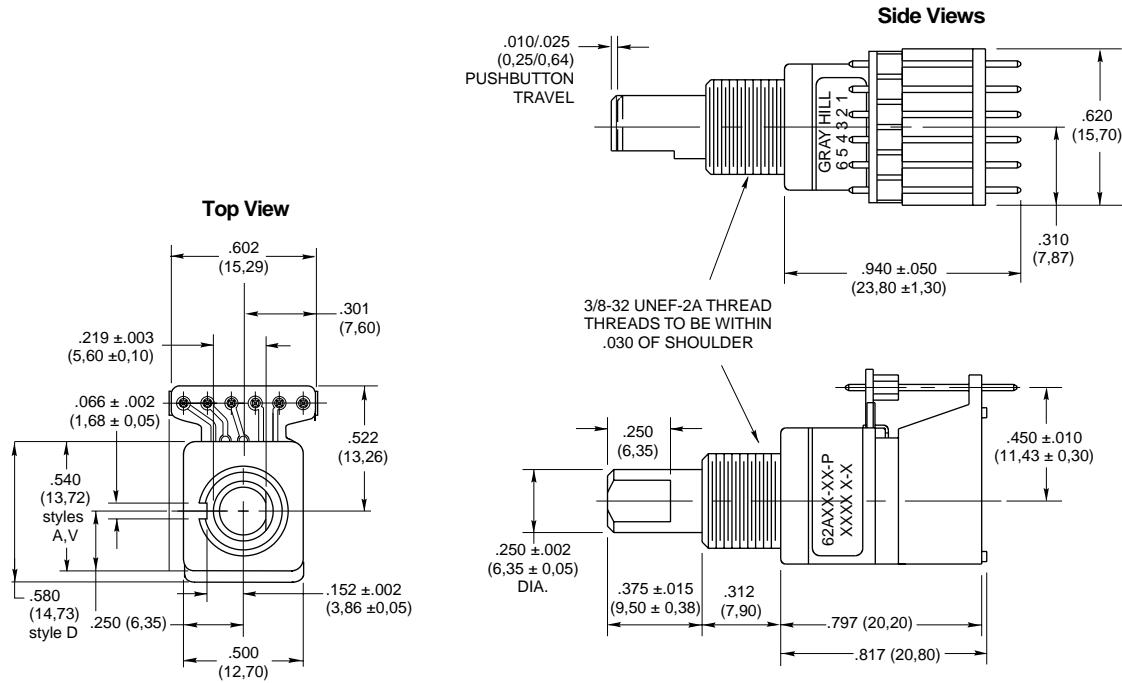


# Grayhill Optical Encoder Series 62A, V, D

Compact,  
1/2" Package

## DIMENSIONS In inches (and millimeters)

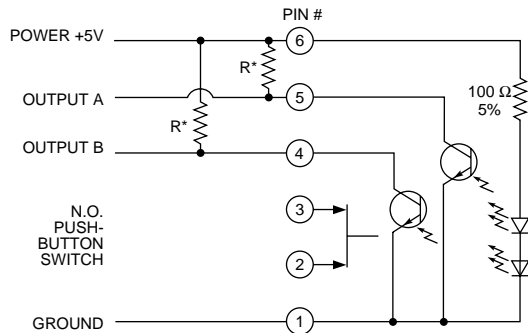
### Pin Version



Unless otherwise specified, standard tolerance is ±.010 (0.25)

## CIRCUITRY, TRUTH TABLE, AND WAVEFORM Standard Quadrature 2-Bit Code

### Standard 5.0 Volt (Styles A and D)

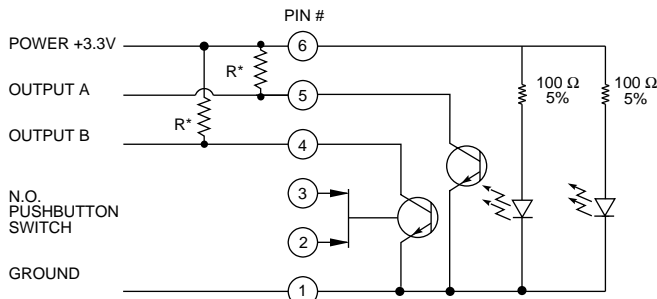


\* External pull-up resistors required for operation (2.2 kΩ).

Clockwise Rotation		
Position	Output A	Output B
1		
2	●	
3	●	●
4		●

● Indicates logic high; blank indicates logic low. Code repeats every 4 positions.

### 3.3 Volt (Style V only)



\* External pull-up resistors required for operation (2.2k Ω)

