



# Optical Encoders

## SERIES 62AG Price Competitive Solution

### FEATURES

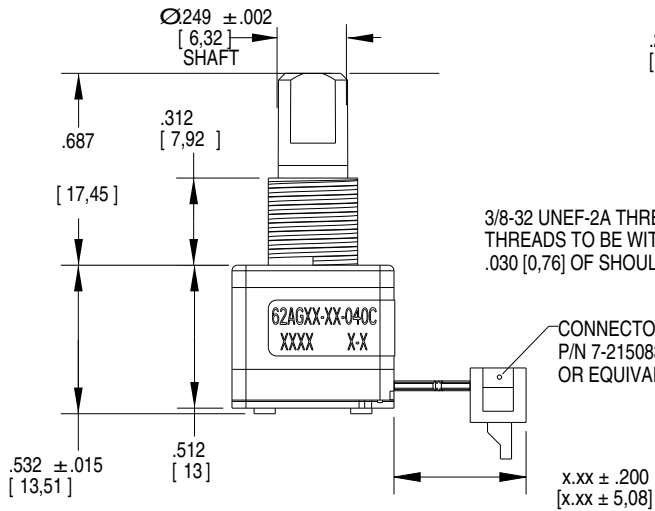
- Over 1 million rotational cycles
- 2-bit gray code output
- Quadrature coding
- Available in 16, 20, 24 and 32 detent positions
- Choices of cable length and terminations
- Available for 5Vdc and 3.3Vdc
- Optional integrated pushbutton
- Patented light pipe technology
- Cost competitive with mechanical encoders at higher volumes

### APPLICATIONS

- Automotive
  - audio systems
  - navigation systems
- Medical
  - patient monitoring systems
- Test & Measurement
  - analyzers
  - oscilloscopes
- Audio & Video
  - consumer electronics
  - professional editing equipment



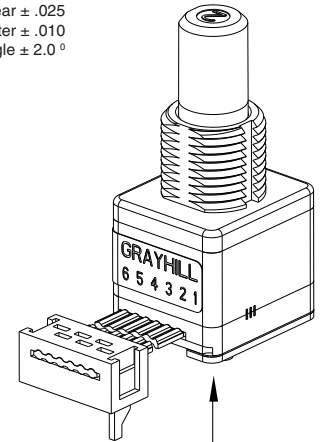
### DIMENSIONS in inches (and millimeters)



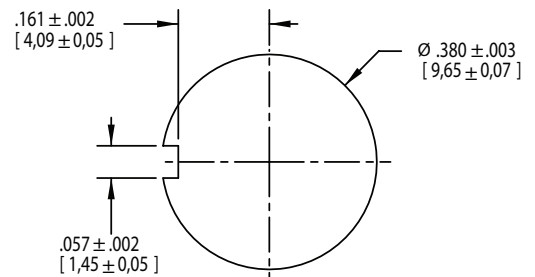
Unless otherwise specified, standard tolerances are:  
 Linear  $\pm .025$   
 Diameter  $\pm .010$   
 Angle  $\pm 2.0^\circ$

3/8-32 UNEF-2A THREAD  
 THREADS TO BE WITHIN  
 .030 [0,76] OF SHOULDER

CONNECTOR IS AMP  
 P/N 7-215083-6  
 OR EQUIVALENT



NOTE: GRAYHILL ALLOWS MULTIPLE ORIENTATIONS FOR THE GRAYHILL TEXT ON THE BACKPLATE.



**Suggested Mounting Panel Cutout**

Optical and Mechanical Encoders

Termination Options



P - .050 Center Pins with 0.185 inch length



C - .050 Center Ribbon Cable with connector



S - .050 Center Ribbon Cable with .100 stripped end

Optical and Mechanical Encoders