

Optical Encoders

Series 62HN

High Torque, Non-Turn Concentric Shaft



FEATURES

- High Rotational Torque Provides Positive Tactile Feedback
- Non-turn Pushbutton to Ensure Pushbutton Text and Orientation
- Optically Coupled for More than a Million Cycles
- Separate Pushbutton Function

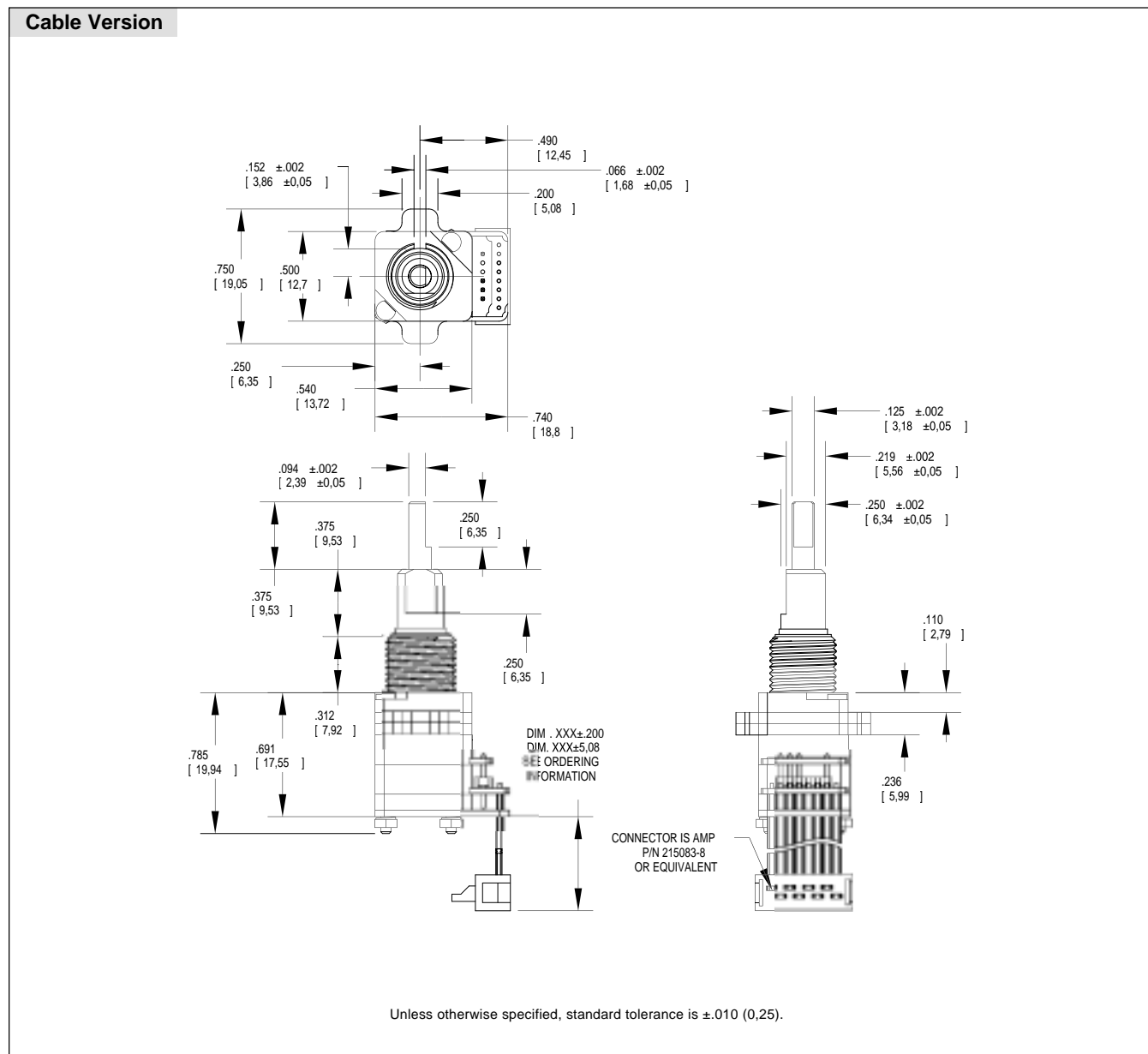
- Compatible with CMOS, TTL and HCMOS Logic
- Available in 8, 12 and 16 Detent Positions
- Choice of Cable Length and Terminations

APPLICATIONS

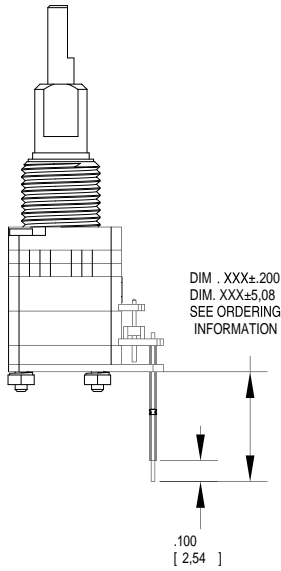
- Avionics



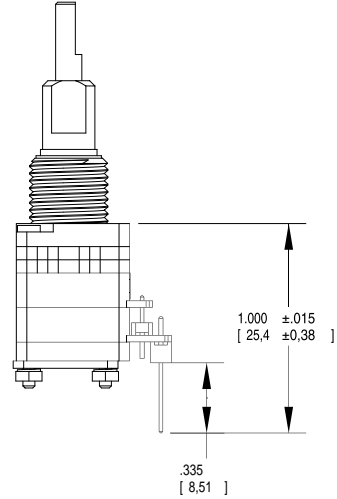
DIMENSIONS In inches (and millimeters)



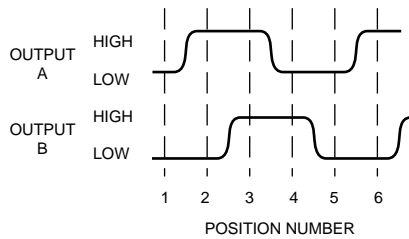
Stripped Version



Pin Version

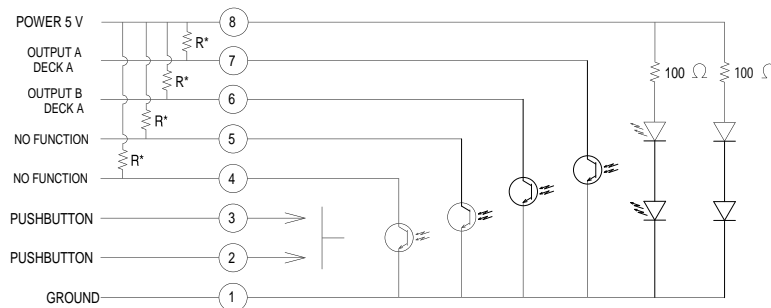


CIRCUITRY, WAVEFORM AND TRUTH TABLE



Clockwise Rotation		
Position	Output A	Output B
1		
2	●	
3	●	●
4		●

● Indicates logic high; blank indicates logic low. Code repeats every 4 positions.



*EXTERNAL 2.2k Ω PULL-UP RESISTORS REQUIRED FOR OPERATION