

**SERIES 62S**  
Compact 1/2" Package

**FEATURES**

- Compact Size, Requires Minimal Behind Panel Space
- 1 Million Rotational Cycles, 3 Million for Non-Detent Styles
- Optional Integral Pushbutton
- Choices of Cable Length and Terminations

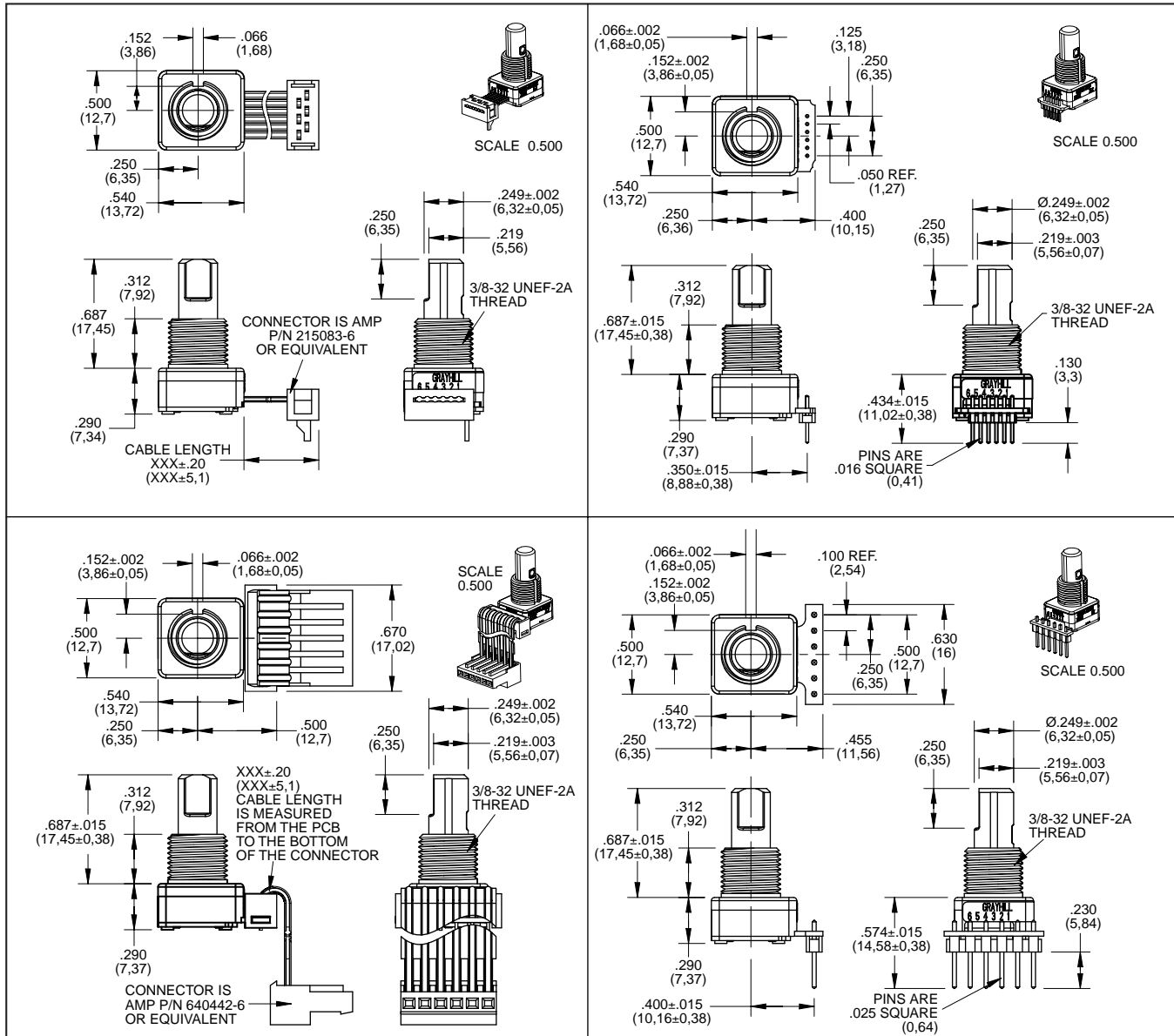
**APPLICATIONS**

- Global Positioning/Driver Information Systems
- Medical Equipment



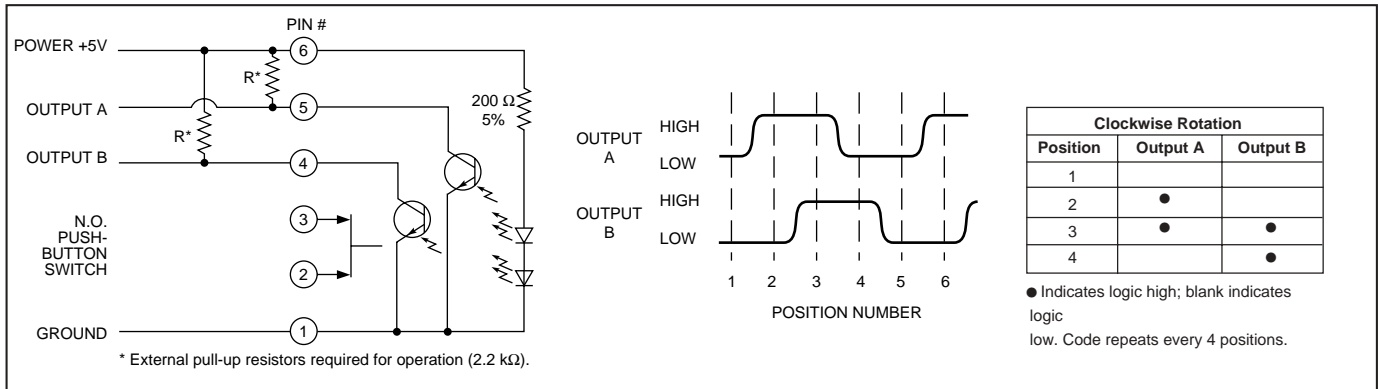
**DIMENSIONS** In inches (and millimeters)

Unless otherwise specified, standard tolerance is  $\pm 0.010$  (0,25)



Optical and Mechanical Encoders

## CIRCUITRY, TRUTH TABLE, AND WAVEFORM Standard Quadrature 2-Bit Code



### SPECIFICATIONS

#### Environmental Specifications

- Operating Temperature Range:** -40°C to 85°C
- Storage Temperature Range:** -55°C to 100°C
- Humidity:** 96 Hours at 90–95% humidity at 40°C
- Mechanical Vibration:** Harmonic motion with amplitude of 15G's, within a varied frequency of 10 to 2000 Hz
- Mechanical Shock:** Test 1: 100G for 6 mS, half sine wave with a velocity change of 12.3 ft/s; Test 2: 100G for 6 mS, sawtooth wave with a velocity change of 9.7 ft/s

#### Rotary Electrical and Mechanical Specifications

- Operating Voltage:** 5.00 ±0.25 Vdc
  - Supply Current:** 30mA maximum at 5Vdc
  - Output:** Open collector phototransistor, external pull up resistors are required
  - Output Code:** 2-Bit quadrature, channel A leads channel B by 90° electrically during clockwise rotation of the shaft
  - Logic Output Characteristics:** Logic High shall be no less than 3.0 Vdc, Logic Low shall be no greater than 1.0 Vdc
  - Minimum Sink Current:** 2.0 mA
  - Power Consumption:** 150 mW maximum
  - Mechanical Life:**
    - Non-Detent: 3 Million Cycles
    - Low & Medium: 1 Million Cycles
    - High: 1/2 Million Cycles
- 1 cycle is a rotation through all positions and a full return

- Average Rotational Torque:** H-3.60±1.60 in-oz, M-2.20±1.40 in-oz, L-1.20±0.50 in-oz, N-<0.50 in-oz initially, torque shall be within 50% of initial value throughout life
- Mounting Torque:** 15 in-oz maximum
- Shaft Push-Out Force:** 45 lbs minimum
- Shaft Pull-Out Force:** 45 lbs minimum
- Terminal Strength:** 15 lbs minimum terminal pull-out force for cable or header termination
- Solderability:** 95% free of pin holes and voids

#### Pushbutton Electrical and Mechanical Specifications

- Rating:** 10 mA at 5 Vdc
- Contact Resistance:** <10Ω
- Life:** 3 million actuations minimum
- Contact Bounce:** <4 ms Make, <10 ms Break
- Actuation Force:** 9-950±250 grams, 5-510±110 grams, 4-400±100 grams, 3-300±90 grams, 2-200±75 grams
- Shaft Travel:** .020±.010 inch

#### Materials and Finishes

- Bushing:** Zamak 2
- Shaft:** Aluminum or Zamak 2
- Retaining Ring:** Stainless steel
- Pushbutton Actuator:** Zytel 70G33L
- Detent Spring:** Music wire
- Detent Ball:** Stainless steel
- Code Housing:** Polyamide polymer, nylon 6/10 alloy UL94HB
- Code Rotor:** Delrin 100

- Printed Circuit Boards:** NEMA grade FR-4, double clad with copper, plated with gold over nickel
- Infrared Emitting Diode Chips:** Gallium aluminum arsenide
- Silicon Phototransistor Chips:** Gold and Aluminum Alloys
- Resistor:** Metal oxide on ceramic substrate
- Solder Pins:** Brass, plated with tin
- Pushbutton Dome:** Stainless steel
- Backplate:** Stainless steel
- Cable:** Copper stranded with topcoat in PVC insulation (Cable version only)
- Connector (.050 Center):** PA4.6 with tin/lead plated phosphor bronze
- Connector (.100 Center):** Nylon UL94V-2, tin plated copper alloy
- Label:** TT406 Thermal transfer cast film
- Solder:** 60/40 Tin lead, no clean – low residue flux
- Lubricating Grease:** NYE nyogel 774L
- Hex Nut:** Nickel, plated with brass
- Lockwasher:** Stainless steel
- Header:** Hi-Temp glass filled thermoplastic UL94V-0, phosphor bronze (pinned versions only)
- Strain Relief:** Glass filled thermoplastic (.100 center cable versions only)

### OPTIONS

Contact Grayhill for custom terminations, shaft and bushing configurations, rotational torque pushbutton force, and code output. Control knobs are also available.

### ORDERING INFORMATION

**Angle of Throw**

- 45=45° for Code Change and 8 Detent Positions
- 30=30° for Code Change and 12 Detent Positions
- 22=22.5° for Code Change and 16 Detent Positions
- 18=18° for Code Change and 20 Detent Positions
- 15=15° for Code Change and 24 Detent Positions
- 11=11.25° for Code Change and 32 Detent Positions

**Rotational Torque Option**

- N = Non-detent
- L = Low Torque (available with 0, 4, 5, 9 pushbutton only)
- M = Medium Torque (available with 0, 5, 9 pushbutton only)
- H = High Torque (available with 0, 9 pushbutton only)

**62SXX-XX-XXXX**

**Termination**

- C = .050 Center Ribbon Cable with Connector
- S = .050 Center Ribbon Cable with .100 Stripped End
- P = .050 Center Pins with .185 Length
- CH = .100 Center Ribbon Cable with Connector
- SH = .100 Center Ribbon Cable with .100 Stripped End
- PH = .100 Center Pins with .230 Length

**Cable Length**

- 020 thru 250 in 1/2 inch increments
- 3 Digits are eliminated if pinned termination is required.
- Examples:
  - 060 = 6.0 inch cable
  - 135 = 13.5 inch cable

**Pushbutton Option**

- 0 = NO PUSHBUTTON
- 9 = 950 Grams
- 5 = 510 Grams
- 4 = 400 Grams
- 3 = 300 Grams
- 2 = 200 Grams